



Cassette awning

## **markilux 990**

The most compact markilux with folding arms – svelte, attractive and functional.

# Product characteristics

Wind resistance class 2  
Beaufort 5 → 7.5–10.4 m/s → 28–37 km/h → 17–23 mph

01  
02  
03  
04  
05  
06  
07  
08



09

10  
11  
12  
13  
14  
15  
16  
17

1 face fixture



1 face fixture, maximum pitch of 35°



1 top fixture



1 top fixture, view from the rear



2 twin steel-link chains, corrosion protected



2 bionic tendon made of high-tech fibres for optimum power transference <sup>1)</sup>



● during extension



3 wall sealing profile <sup>1)</sup>, cassette end cap in polished chrome



1) optional configuration

## Product characteristics

### Description

- the perfectly designed compact cassette awning. The outstanding “lightweight” for balcony and patio

### Special features

- self-supporting cassette profile construction, the brackets being installed at each end of the awning – also suitable for bridging larger distances
- cassette with arms situated in front and at each end, which – when the awning is closed – are encompassed fully by the front profile lending a harmonious overall appearance to the awning
- even when the awning is fully extended, the roller tube is completely protected

### Dimensions

- cassette in the standard version: depth 217 mm, height 124 mm
- single unit: minimum width 179 cm at the smallest projection of 150 cm, maximum width 500 cm at the largest projection of 300 cm

### Roller tube and lateral bearings

- round roller tube Ø 85 mm with keyway, galvanised steel – excellent stability, ensures near perfect cover performance even at the largest widths
- the arm bearer is made of die-cast aluminium, powder coated, with integrated, infinitely variable pitch setting mechanism

### Awning profiles

- extruded aluminium, in façade quality, powder coated
- cassette in two parts
- semi-circular front profile with integrated gutter

### Folding arms

- profiles in extruded aluminium, in façade quality, powder coated
- moving parts made of drop-forged aluminium – the arms are therefore extremely fracture resistant
- pivot bolts in stainless steel run in Teflon-coated bronze bushes – practically maintenance free, virtually silent and extremely hard wearing
- power transference via corrosion-protected twin steel-link chains at the elbow joint, optionally with innovative bionic tendon made of high tensile, high-tech fibre – low in friction, noiseless, insensitive to corrosion and UV resistant

### Side caps

- the cassette insert sections are made of high-quality plastic, powder coated or in a polished chrome finish
- the front profile end caps are made of high-quality plastic, powder coated, with water drainage holes

### Fixture brackets

- face fixture, top fixture, eaves fixture
- extruded aluminium, powder coated
- also available in individual widths (on request)
- pitch range 5°–35° (face fixture), 5°–70° (top or eaves fixture)
- spacer plates, stand-off brackets and other accessories are available

01 **Frame and end cap colours**

markilux awning colours without surcharge

02 traffic white RAL 9016

metallic aluminium RAL 9006

grey brown, similar to RAL 8019



06  
07 off-white textured finish, 5233 <sup>1)</sup>

stone grey metallic, 5215 <sup>1)</sup>

anthracite metallic, 5204 <sup>1)</sup>



**09**

10  
11 Havana brown textured finish, 5229 <sup>1)</sup>



15  
16  
17 off-white textured finish 5233 <sup>1)</sup>  
end cap insert in polished chrome

stone grey metallic 5215 <sup>1)</sup>  
end cap insert in polished chrome

anthracite metallic 5204 <sup>1)</sup>  
end cap insert in polished chrome



Combination options – possible in any frame colour.

**Non-standard powder-coated finish**

Bespoke frame colours incur a surcharge – matt, metallic, finely textured and pearl finishes as well as other colour ranges (DB, Tiger etc.) on request. All frame colours are available at a surcharge with enhanced corrosion protection.

**1)** textured finish

Colours may differ slightly from those depicted in both hue and finish.


## Dimensions and configuration options

Single unit

		Awning width						Minimum width	
		250	300	350	400	450	500	Motor	Crank handle
<b>Order dimensions</b>		179	251	301	351	401	451		
		250	300	350	400	450	500		
<b>H</b>	<b>150</b>	1) <sup>1)</sup>						179	179
	<b>200</b>	1) <sup>1)</sup>						229	229
	<b>250</b>	—	1) <sup>1)</sup>					279	279
	<b>300</b>	—	—	1) <sup>1)</sup>				329	329

dimensions in cm

1) = please note the minimum widths!

 = 2 standard arms , 2 fixture brackets

H = projection

### Operation

	standard	optional
manual operation	✓	—
spring-assisted crank handle	—	✓
hard-wired motor	—	✓
silentec motor (optionally with an external io / RTS receiver)	—	—
radio-controlled motor io, 868 MHz	—	✓
radio-controlled motor RTS, 433 MHz	—	✓
radio-controlled motor RTS, 433 MHz with manual override	—	✓

### Coupled Awning

not available

### Awning cover

	fabric range no.	standard	optional
sunvas	301.. / 309..-315..	✓	—
perla	370 ..	—	✓
sunsilk	324.. / 325.. / 328.. / 369..	✓	—
perla FR	374.. / 375..	—	✓
perfotex	331.. / 332..	—	—
transolair	338..	—	—
vuscreen Alu	317..	—	—
Soltis Perform 92	92-20..	—	—
glass fibre screen	272..	—	—
valance, height 20 cm		—	✓

### Shadeplus / drop valance

not available

## Optional accessories

folding-arm technology with bionic tendon
valance
wall sealing profile, up to a pitch of 35°
infrared heater 2500 W
infrared heater 2500 W with integrated radio-controlled receiver 868 MHz io
LED spotline – light bar 110 × 70 mm with 5 W LED spotlights, width 180 cm / 3 spots or 300 cm / 5 spots
LED spotline io – light bar 110 × 70 mm with 5 W LED spotlights with integrated dimmable radio-controlled receiver, width 180 cm / 3 spots or 300 cm / 5 spots
automatic controls (light, wind, rain)

**N.B!** Important background information can be found in the chapter “Optional Accessories”.

## Fixture options

wall bracket 150 mm	71624.
face fixture bracket left	70617.
face fixture bracket right	70600.
spreader plate A face fixture	75326.
spreader plate B face fixture	75325.
markilux panel 250 × 230 × 49 mm	76308.
markilux panel continuous	76380.
stand-off bracket for face-fixture bracket 70617. and 70600.	77968.
top fixture bracket 150 mm	71625.
eaves fixture bracket 90 mm 150 mm plate	71612.
eaves fixture bracket 90 mm 270 mm plate	71659.
flat plate and angled bracket for eaves fixture , height of flat plate: 500 mm	716620
supplementary flat plate for eaves fixture 260 × 60 × 12 mm	75383.

## No. of brackets | No. of fixing points

		Awning width					
		250	300	350	400	450	500
Order dimensions		179	251	301	351	401	451
		250	300	350	400	450	500
BHT		No. of brackets   No. of fixing points					
W	15	2   6					
BP		A 2   16    B 2   8					
PA		2   8					
DA / DE	15	2   8					

dimensions in cm

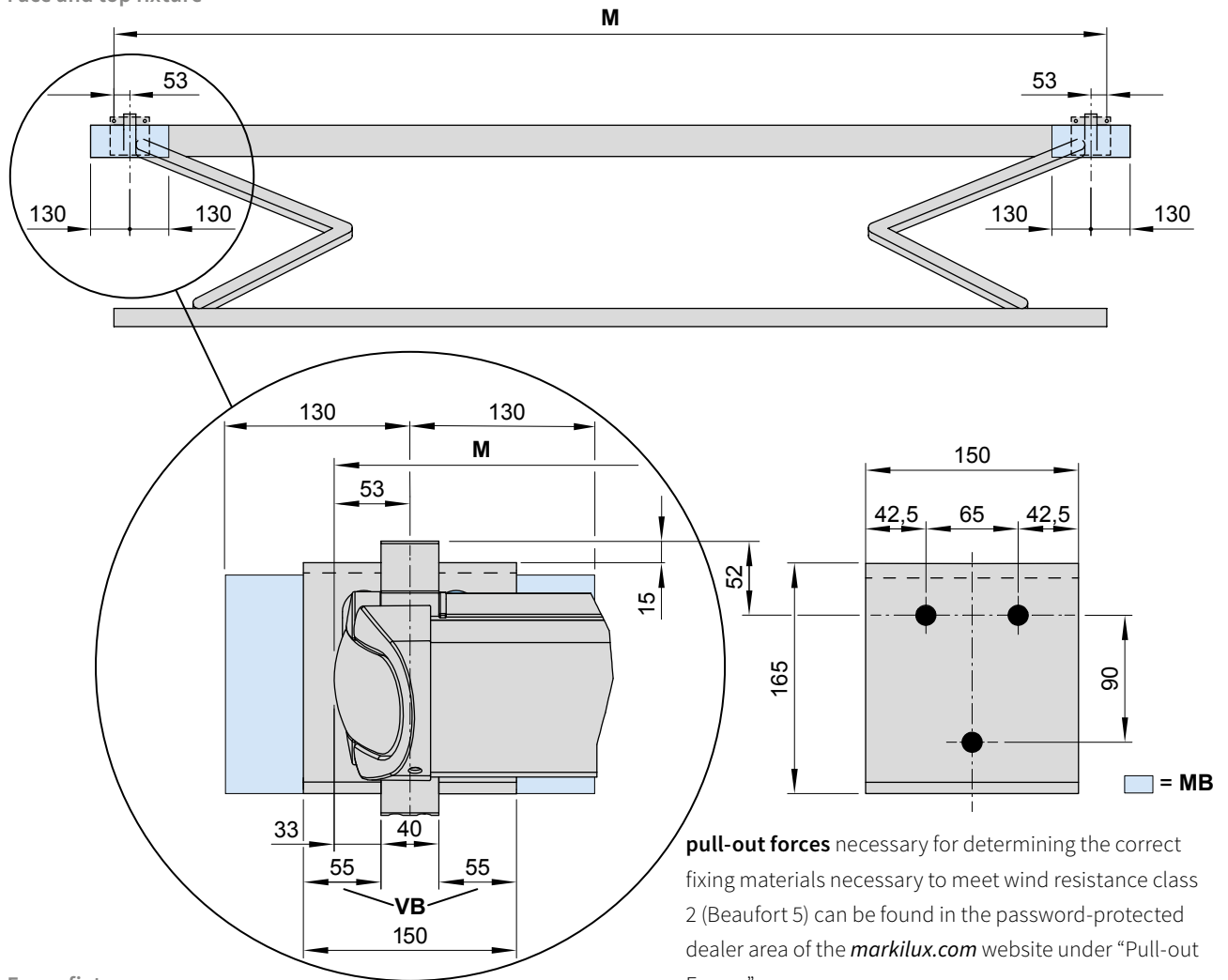
If the brackets cannot be positioned in accordance with this table, make sure the actual dimensions are noted on the order form!

The **pull-out forces** necessary for determining the correct fixing materials necessary to meet wind resistance class 2 (Beaufort 5) can be found in the password-protected dealer area of the [markilux.com](http://markilux.com) website under “Pull-out Forces”.

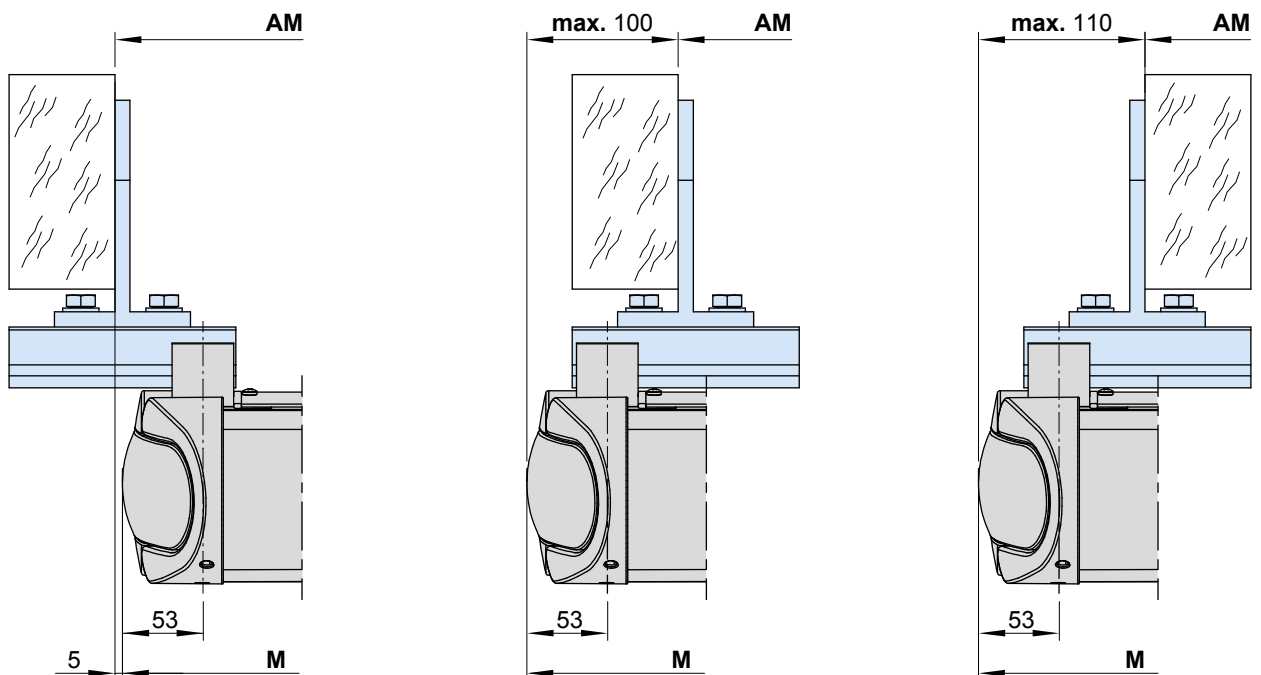
- A** = arm position
- BHT** = bracket width
- BP** = spreader plate (**A** / **B**)
- DA** = eaves fixture bracket
- DE** = top fixture brackets
- H** = order dimension = projection
- M** = order dimension = awning width
- PA** = markilux panel, fixture profile, width 250 mm
- W** = face fixture bracket

# Bracket fixture range

Face and top fixture



Eaves fixture



**AM** = installation dimensions  
**M** = order dimension = awning width

**MB** = bracket fixture range  
**VB** = adjustment range face fixture bracket

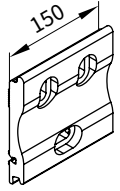
dimensions in mm

01  
02  
03  
04  
05  
06  
07  
08  
**09**  
10  
11  
12  
13  
14  
15  
16  
17

# 01 Face fixture

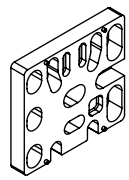
## 02 Fixtures, fittings and accessories

03  
04  
05



06 wall bracket  
150 mm

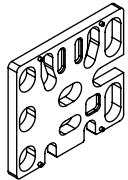
**71624.**



03 spacer plate for face  
fixture  
150 × 136 × 20 mm

04 N.B!  
Stack to a max. height of  
200 mm

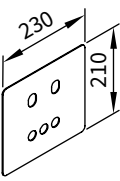
**716331**



03 spacer plate for face  
fixture  
150 × 136 × 12 mm

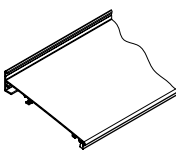
**71644.**

06  
07  
08



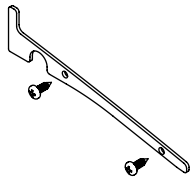
09 cover plate  
for spacer plate  
and stand-off brackets  
in the case of external  
insulation  
230 × 210 × 2 mm

**71843.**



09 wall sealing profile  
incl. brush seal  
by the metre

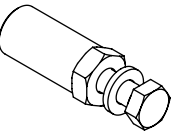
**76385. and 704241**



09 side plate  
and  
2 fillister head self-tapping  
screws

**76465. and 2 × 735611**

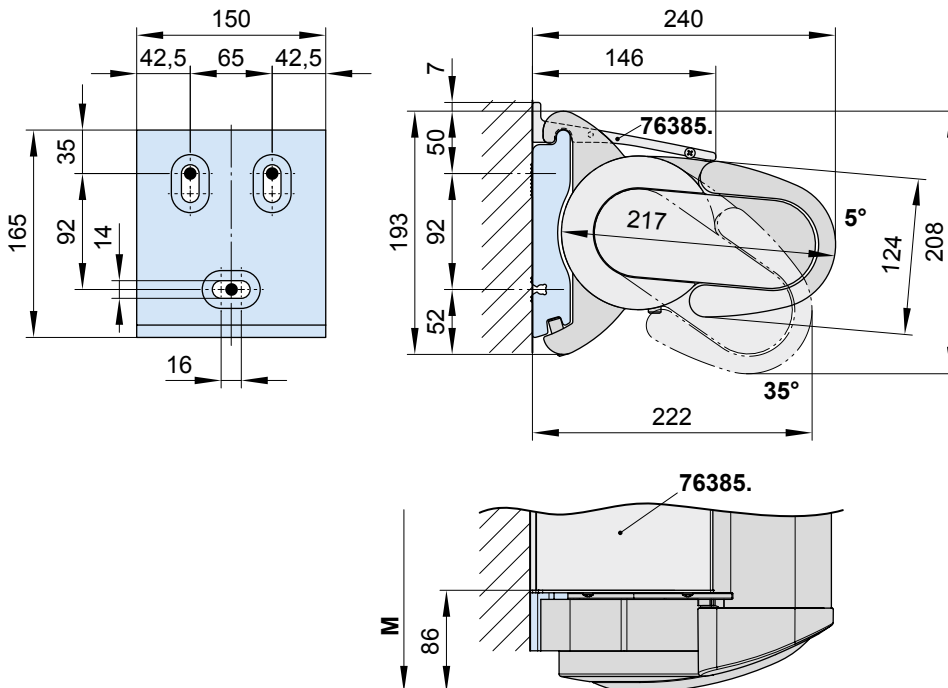
10  
11  
12  
13



14 bolt reduction assembly  
pack 10 pcs

M 16 → M 12 | M 16 → M 10 | M 12 → M 10 | M 10 → M 10

**pull-out forces** necessary for determining the correct fixing materials necessary to meet wind resistance class 2 (Beaufort 5) can be found in the password-protected dealer area of the [markilux.com](http://markilux.com) website under "Pull-out Forces".



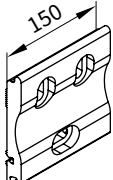
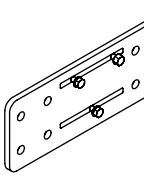
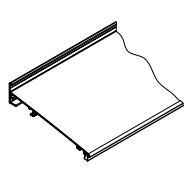
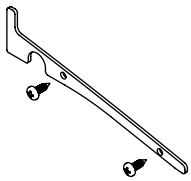
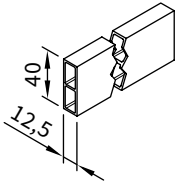
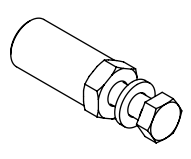
dimensions in mm

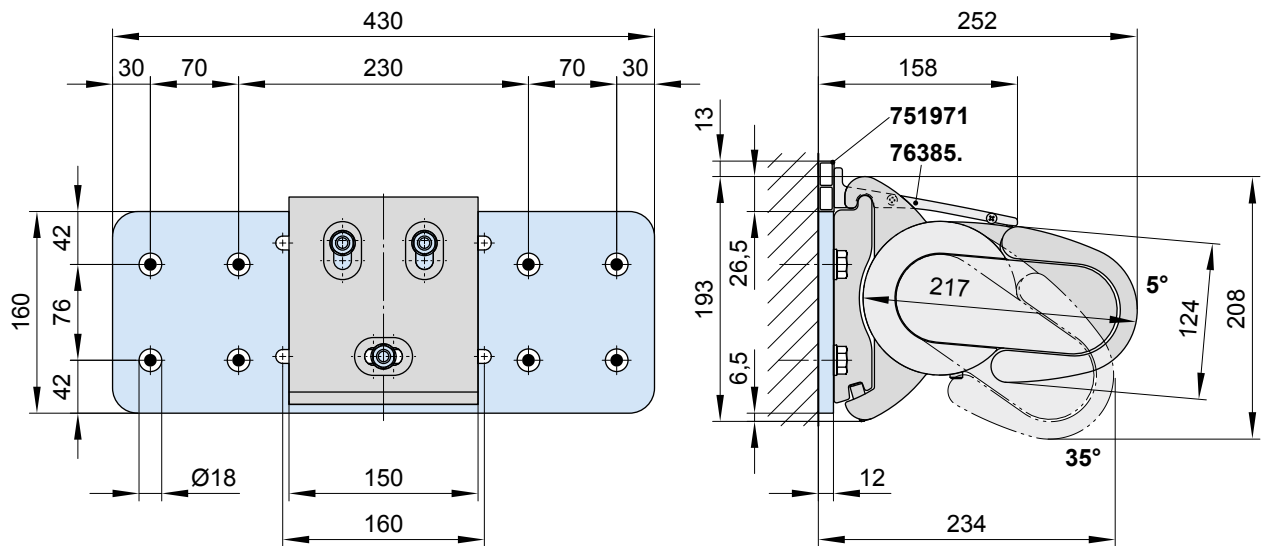
**76385.** = wall sealing profile (standard width = awning width (M) – 168 mm; up to a maximum awning pitch of 35°)



# Face fixture with spreader plate A

Fixtures, fittings and accessories

 <p>wall bracket 150 mm</p> <p><b>71624.</b></p>	 <p>spreader plate A face fixture 430 × 160 × 12 mm</p> <p><b>75326.</b></p>	 <p>wall sealing profile incl. brush seal by the metre</p> <p><b>76385. and 704241</b></p>
 <p>side plate and 2 fillister head self-tapping screws</p> <p><b>76465. and 2 × 735611</b></p>	 <p>stand-off strip for wall sealing profile available by the metre</p> <p><b>751971</b></p>	 <p>bolt reduction assembly pack 10 pcs</p> <p>M 16 → M 12   M 16 → M 10   M 12 → M 10   M 10 → M 10</p>



dimensions in mm

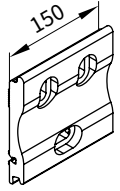
**751971** = stand-off strip for wall sealing profil

**76385.** = wall sealing profile (standard width = awning width (M) - 168 mm; up to a maximum awning pitch of 35°)

01  
02  
03  
04  
05  
06  
07  
08  
**09**  
10  
11  
12  
13  
14  
15  
16  
17

# Face fixture with spreader plate B

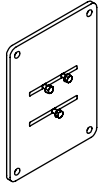
## Fixtures, fittings and accessories



150

wall bracket  
150 mm

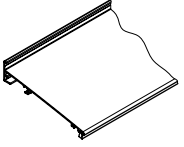
**71624.**



spreader plate B  
face fixture

300 × 400 × 12 mm

**75325.**



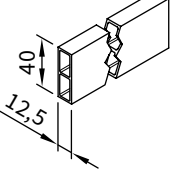
wall sealing profile  
incl. brush seal  
by the metre

**76385. and 704241**



side plate  
and  
2 fillister head self-tapping  
screws

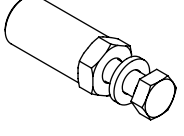
**76465. and 2 × 735611**



stand-off strip  
for wall sealing profile  
available by the metre

40  
12,5

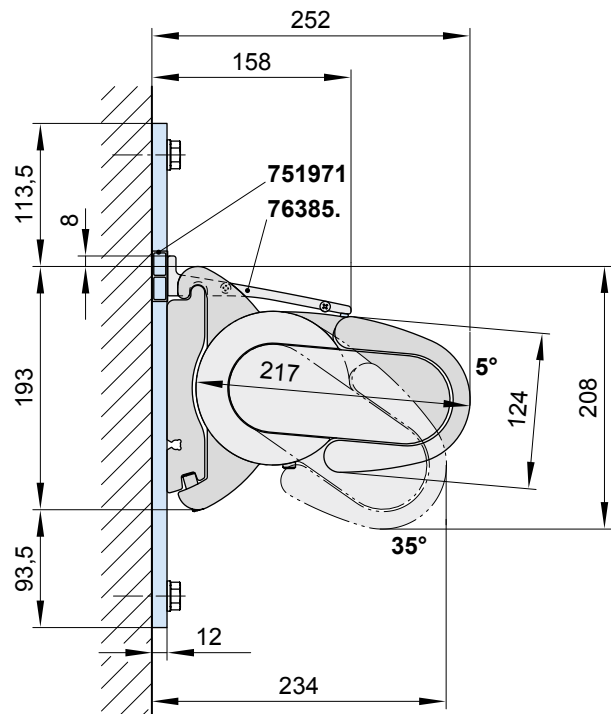
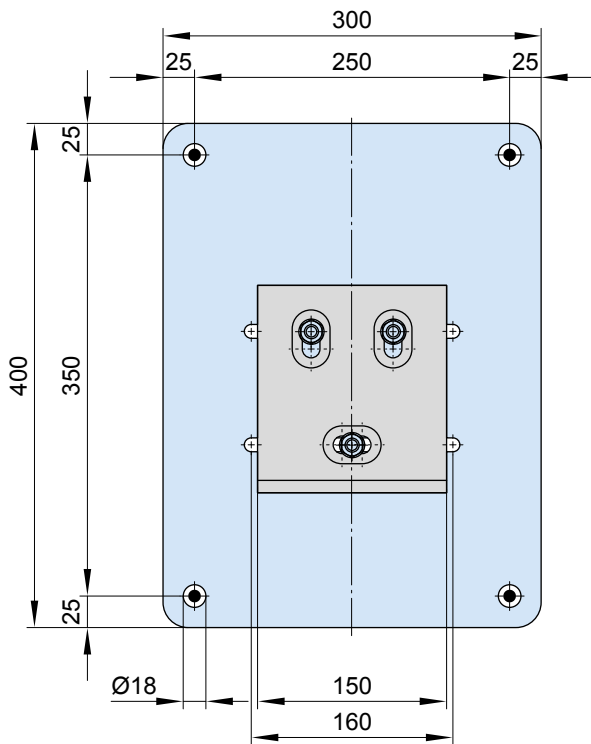
**751971**



bolt reduction assembly  
pack 10 pcs

M 16 → M 12 | M 16 → M 10 | M 12 → M 10 | M 10 → M 10

09



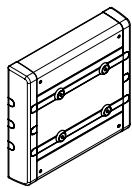
dimensions in mm

**751971** = stand-off strip for wall sealing profil

**76385.** = wall sealing profile (standard width = awning width (M) - 168 mm; up to a maximum awning pitch of 35°)

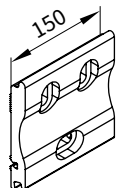
# Face fixture with markilux panel 250 mm

## Fixtures, fittings and accessories



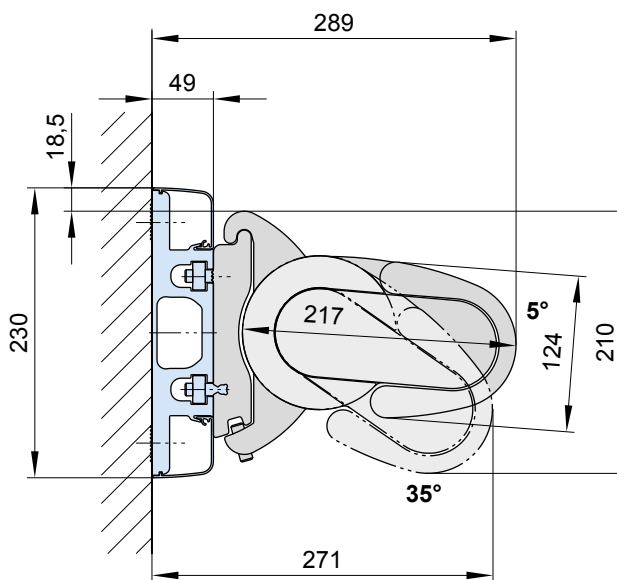
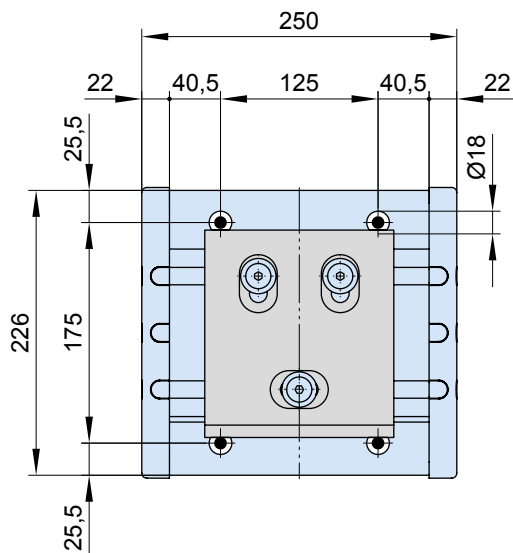
markilux panel  
250 × 230 × 49 mm  
  
with decorative profiles  
and end caps

76308.



wall bracket  
150 mm

71624.



dimensions in mm

- 01
- 02
- 03
- 04
- 05
- 06
- 07
- 08
- 09**
- 10
- 11
- 12
- 13
- 14
- 15
- 16
- 17

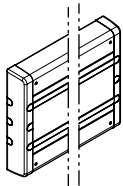
# 01 Face fixture with markilux panel continuous

## 02 Fixtures, fittings and accessories

03

04

05



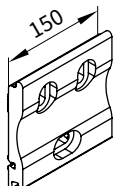
markilux panel continuous  
with decorative profiles and end caps

**76380.**

03

04

05



150

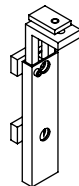
wall bracket 150 mm

**71624.**

03

04

05



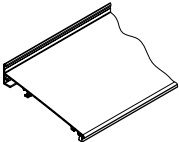
bracket wall sealing profile

**76387.**

06

07

08



wall sealing profile incl. brush seal by the metre

**76385. and 704241**

06

07

08



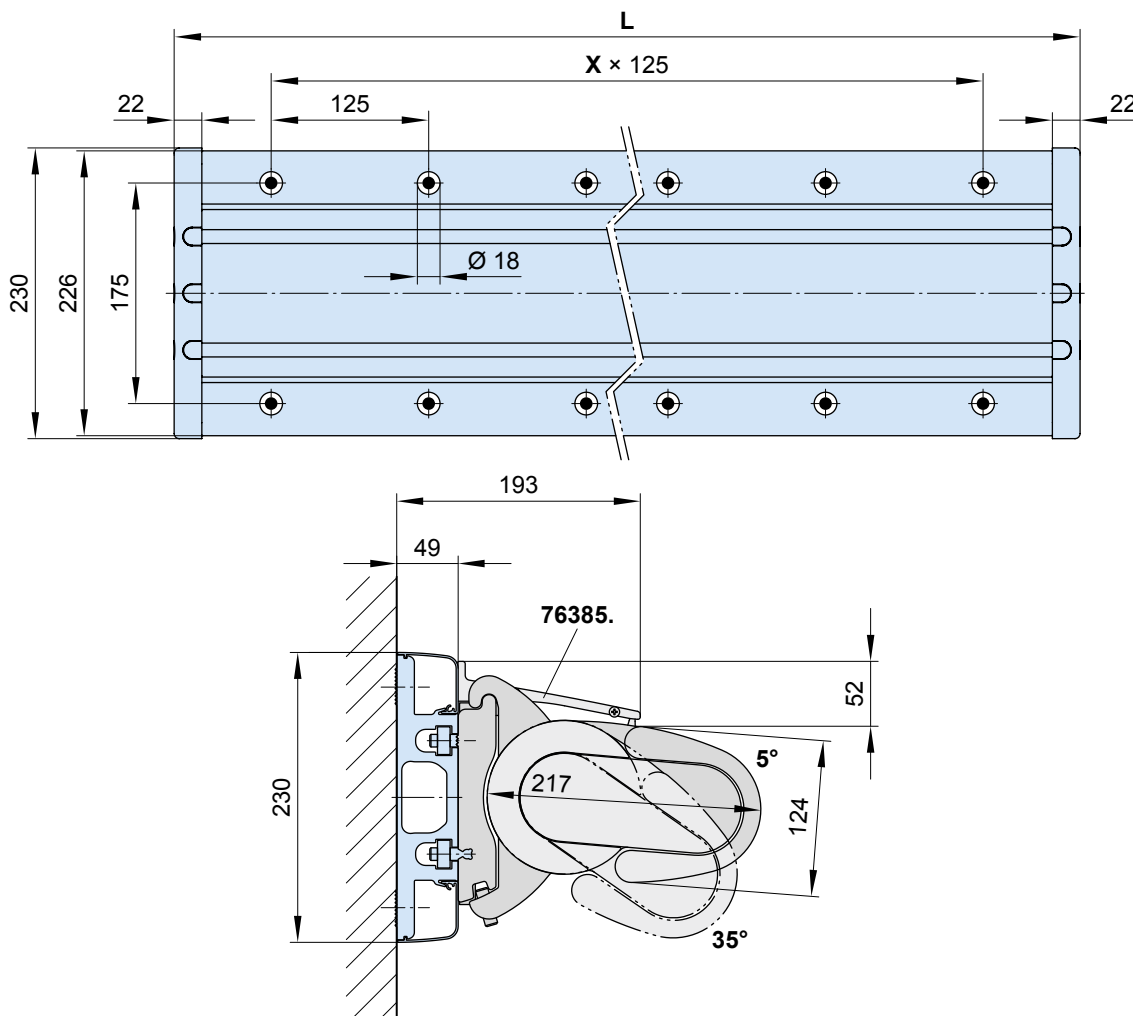
side plate and 2 fillister head self-tapping screws

**76465. and 2 × 735611**

**09**

As a **continuous fixture profile**, the markilux panel will always be supplied to order on the basis of a technical drawing prepared in the factory in accordance with the awning specification.

The technical drawing shows the fixture points and pull-out forces and must be approved in writing.



**76385.** = wall sealing profile (standard width =  $M - 168$  mm; up to a maximum awning pitch of 35°)

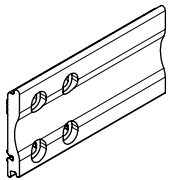
**L** = individual width max. 7000 mm, (standard  $L = M + 20$  mm)

**X** = fixing point separation, by way of example

dimensions in mm

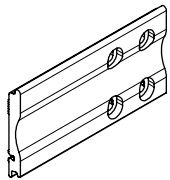
# Face fixture with stand-off bracket

## Fixtures, fittings and accessories



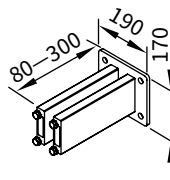
face fixture bracket  
left  
300 mm

**70617.**



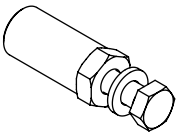
face fixture bracket  
right  
300 mm

**70600.**



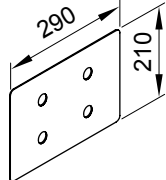
stand-off bracket for  
face-fixture bracket  
70617. and 70600.  
80-300 mm

**77968.**



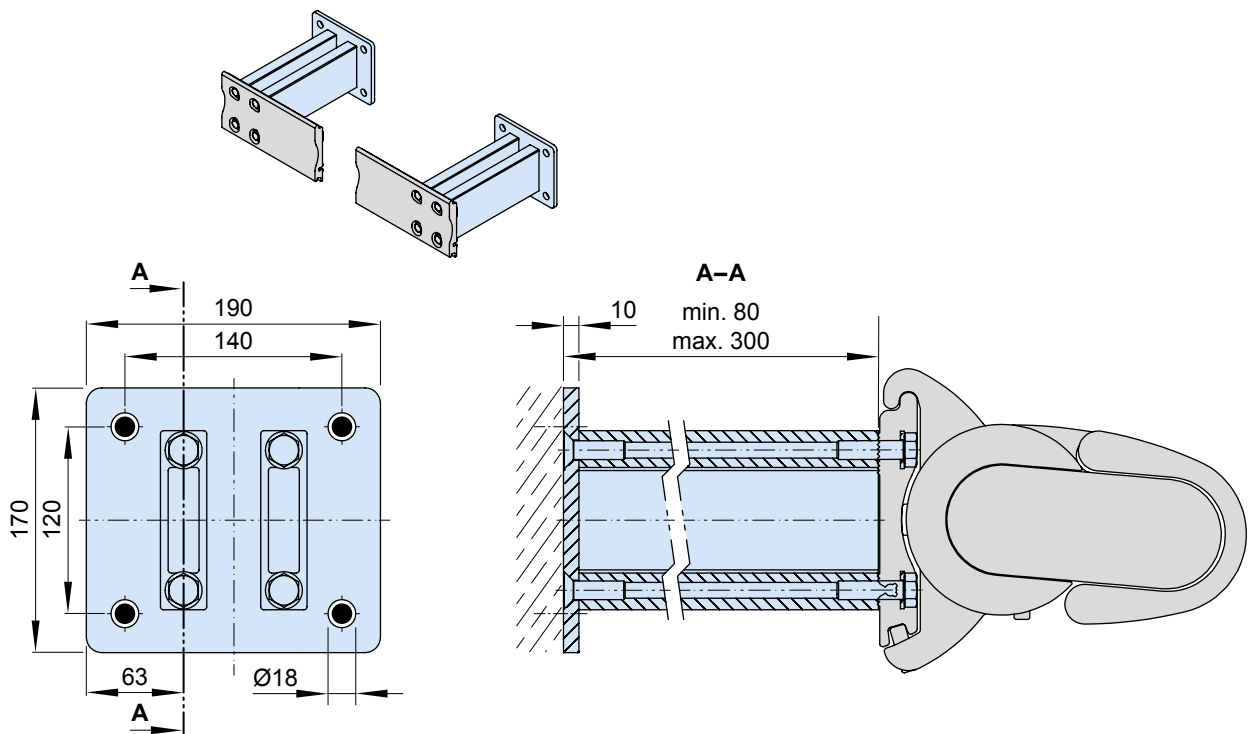
bolt reduction assembly  
pack 10 pcs

M 16 → M 12 | M 16 → M 10 | M 12 → M 10 | M 10 → M 10



cover plate  
for spacer plate and  
stand-off bracket  
in the case of external  
insulation  
290 × 210 × 2 mm

**71841.**

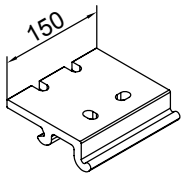


dimensions in mm

01  
02  
03  
04  
05  
06  
07  
08  
**09**  
10  
11  
12  
13  
14  
15  
16  
17

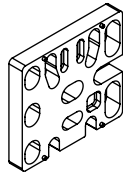
01 **Top fixture**

02 Fixtures, fittings and accessories



top fixture bracket  
150 mm

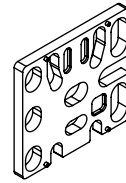
71625.



spacer plate for  
top fixture  
150 × 136 × 20 mm

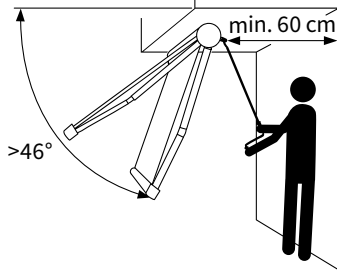
N.B!  
stack to a max. height of  
200 mm

716331



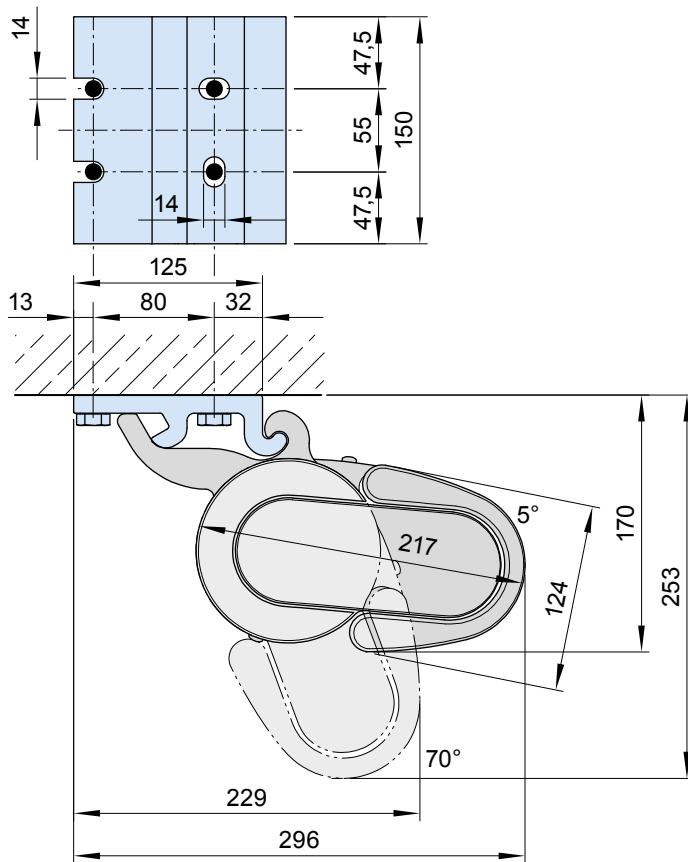
spacer plate for  
top fixture  
150 × 136 × 12 mm

71644.



**N.B!** At a pitch of more than 46° to the horizontal there must be an area accessible behind the awning at least 60 cm deep to allow operation of an RTS motor with manual override.

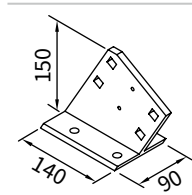
09



dimensions in mm

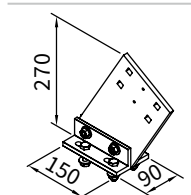
# Eaves fixture

## Fixtures, fittings and accessories



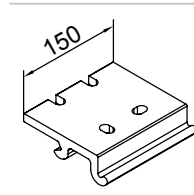
eaves fixture bracket  
90 mm  
150 mm plate

**71612.**



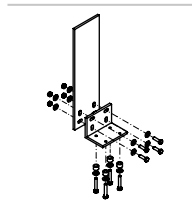
eaves fixture bracket  
90 mm  
270 mm plate

**71659.**



top fixture bracket  
150 mm

**71625.**

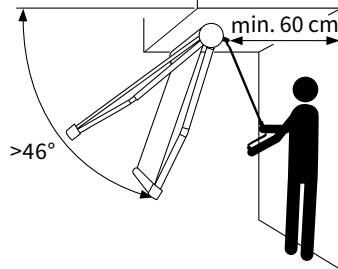


flat plate and angled  
bracket for eaves fixture

height of flat plate:  
500 mm

machine finish

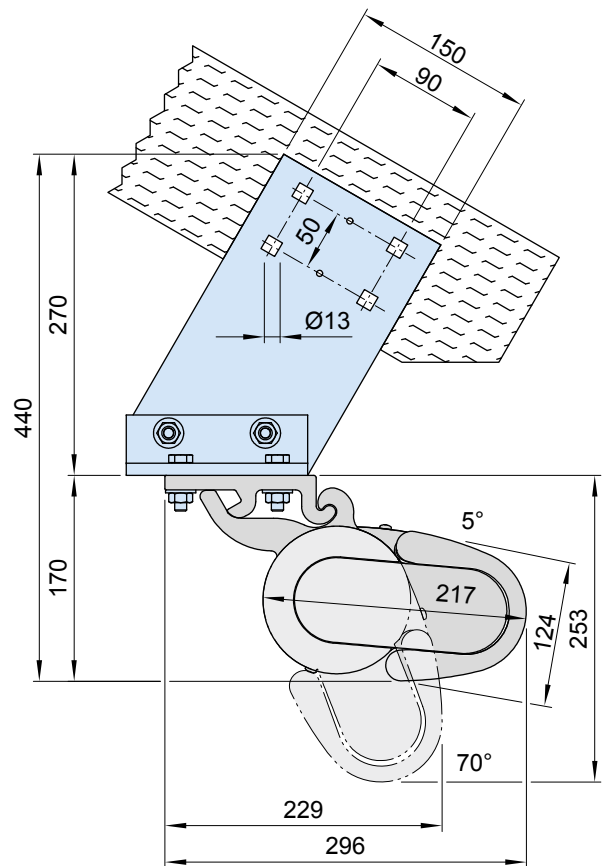
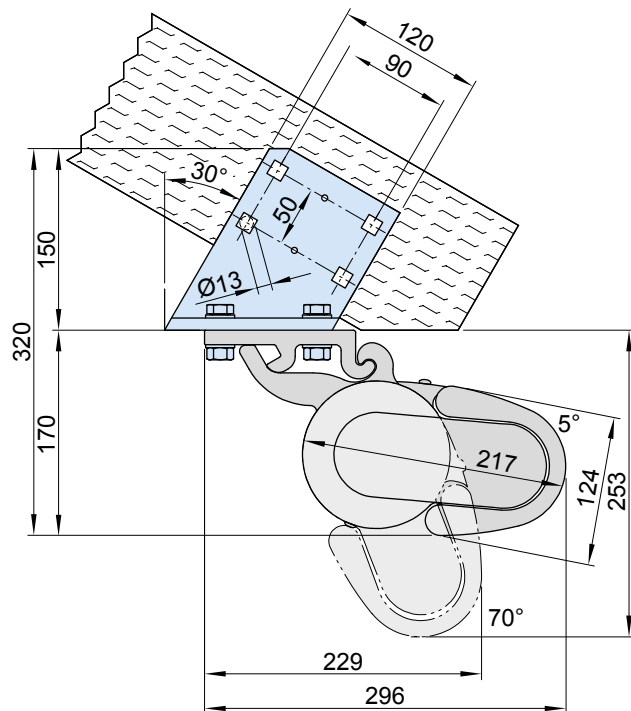
**716620**



**N.B!** At a pitch of more than 46° to the horizontal there must be an area accessible behind the awning at least 60 cm deep to allow operation of an RTS motor with manual override.

with eaves fixture bracket, 150 mm (71612.)

with eaves fixture bracket, 270 mm (71659.)

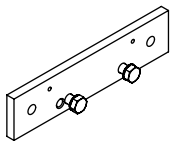


dimensions in mm

01  
02  
03  
04  
05  
06  
07  
08  
**09**  
10  
11  
12  
13  
14  
15  
16  
17

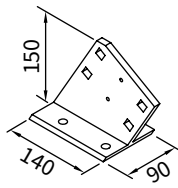
# Eaves fixture with additional plate

## Fixtures, fittings and accessories



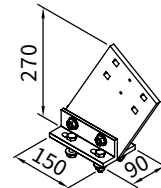
supplementary flat plate for eaves fixture  
260 × 60 × 12 mm

75383.



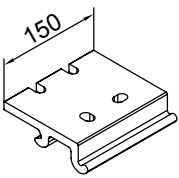
eaves fixture bracket  
90 mm  
150 mm plate

71612.



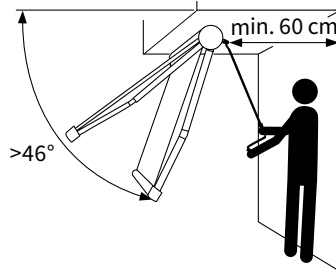
eaves fixture bracket  
90 mm  
270 mm plate

71659.



top fixture bracket  
150 mm

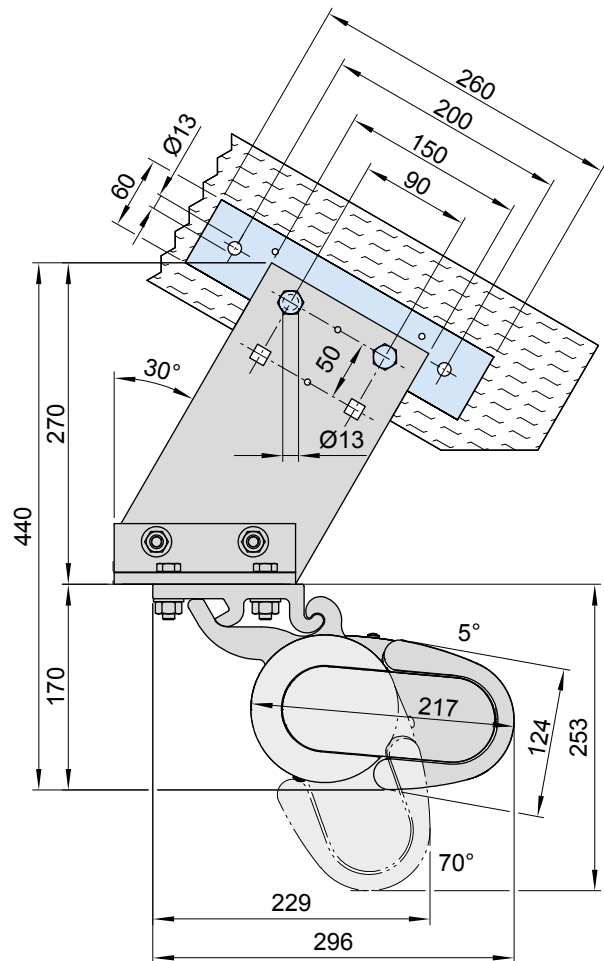
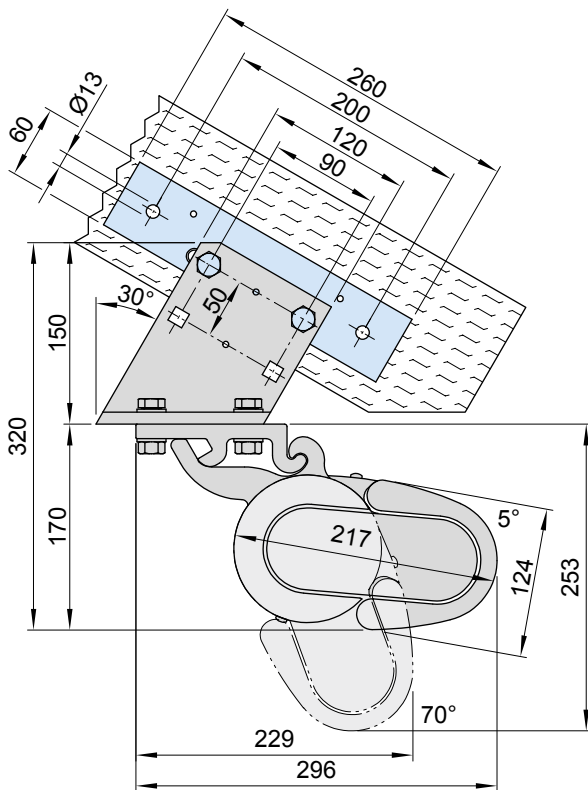
71625.



**N.B!** At a pitch of more than 46° to the horizontal there must be an area accessible behind the awning at least 60 cm deep to allow operation of an RTS motor with manual override.

with eaves fixture bracket 150 mm (71612.)

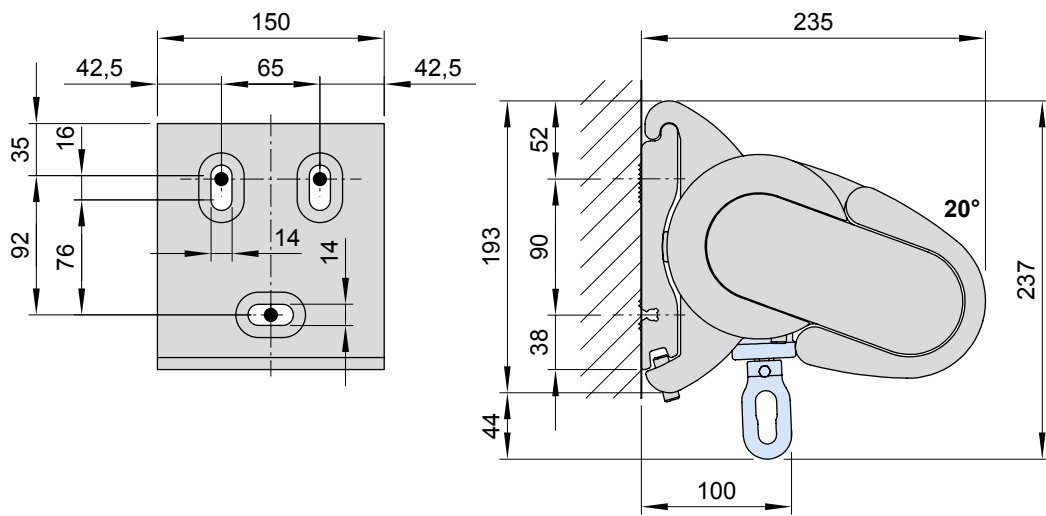
with Eaves fixture bracket 270 mm (71659.)



dimensions in mm

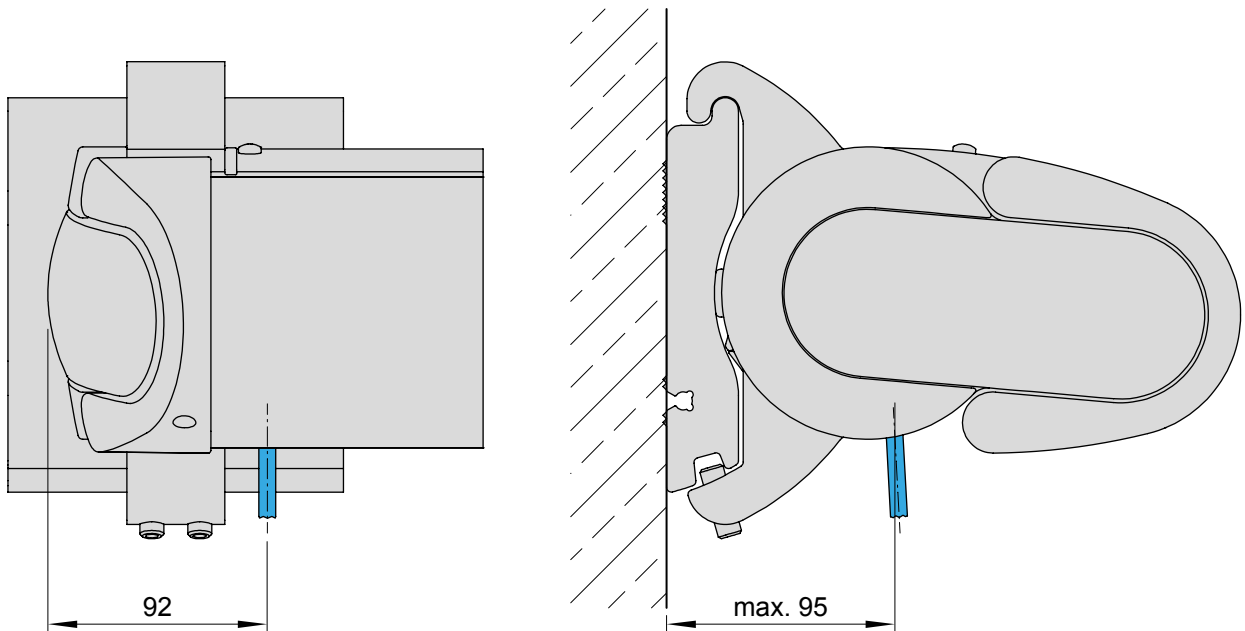


Face fixture, manual operation



- 01
- 02
- 03
- 04
- 05
- 06
- 07
- 08
- 09**
- 10
- 11
- 12
- 13
- 14
- 15
- 16
- 17

Motor cable exit point



dimensions in mm

01 Face fixture, radio-controlled motor with manual override

02

03

04

05

06

07

08

09

10

11

12

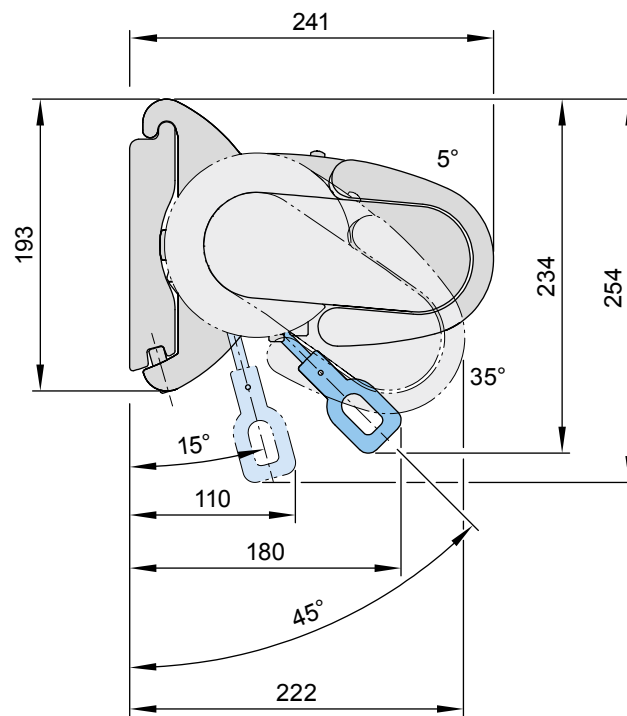
13

14

15

16

17



dimensions in mm