



Cassette awning

markilux 900

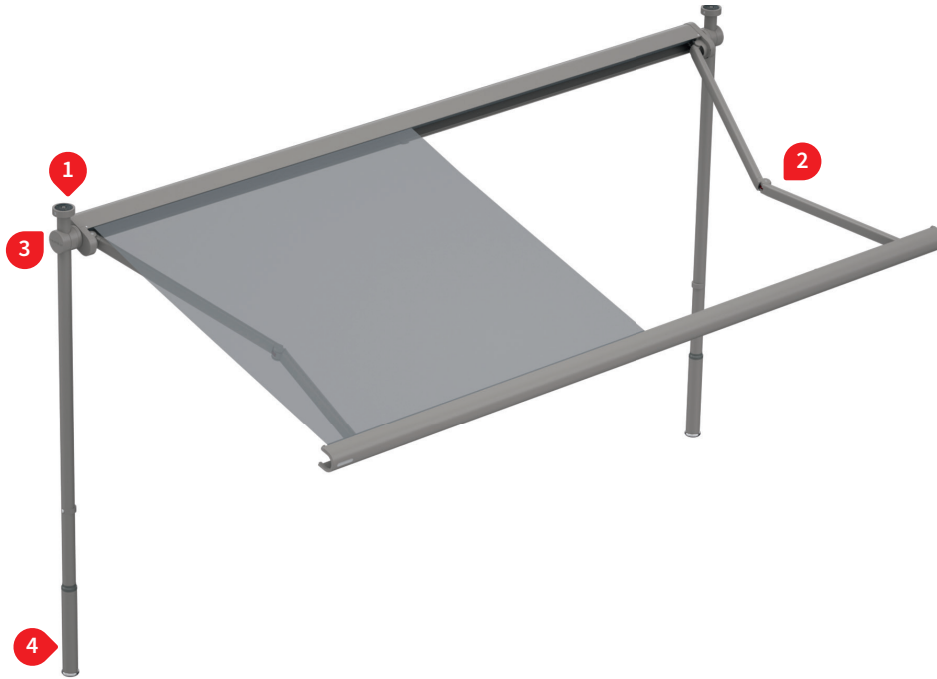
The unique balcony awning
with markilux folding arm technology to be fixed with accro bars.



01
02
03
04
05
06
07
08

Product Characteristics

Wind resistance class 2
Beaufort 5 → 7.5–10.4 m/s → 28–37 km/h → 17–23 mph



1 fixture with wedge-in accro bars



1 fixture with wedge-in accro bars, view from the rear, pitch 45 degrees



1 top fixture



1 top fixture, view from the rear



during extension

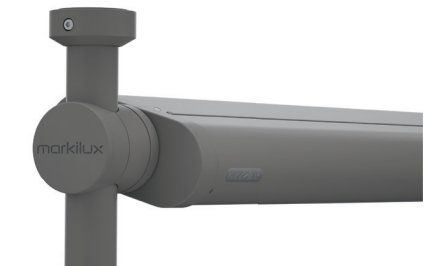
2 bionic tendon made of high-tech fibres for optimum power transference



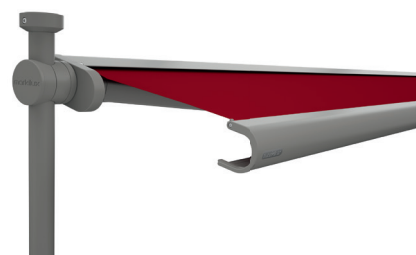
3 manual operation



awning retracted



4 cross section of a base with wedge-in accro bar



Product characteristics

Description

- Minimalist cassette awning with folding arms, installation possible with wedge-in accro bars or top fixture brackets

Special features

- Compact cassette profile that lends an attractive appearance to the unit
- Cassette with arms situated at the front and at each end, which – when the awning is closed – are encompassed fully by the front profile lending a harmonious overall appearance to the awning
- Plenty of shade even when the awning is only slightly inclined – ideal for balconies For an unlimited sense of space with a clear view
- Generous pitch adjustment range of the awning from 5–70° – thus also suitable as protection against prying eyes
- Installation with wedge-in accro bars: convenient assembly/disassembly with few drill holes compared to conventional awning brackets The awning cassette is inserted into the holders on the wedge-in accro bars, simple assembly
- Any unevenness of the installation surface can be levelled out thanks to the movable articulated base on the wedge-in accro bars The technical function is elegantly concealed and invisible
- Top-quality surface finish, profiles in façade quality, powder coated (including wedge-in accro bars)
- Wedge-in accro bars are also available in a different standard colour
- Cover can be selected from over 200 fabric patterns of the markilux collection to suit a range of different living styles

Dimensions

- Cassette in the standard version: height 105 mm, depth 225 mm
- Single unit: width 200–400 cm, projection 150 cm or 200 cm
- Adjustment range wedge-in accro bar: 235–265 cm wedge-in height

Roller tube and lateral bearings

- Round roller tube Ø 63 mm with keyway, galvanised steel – excellent stability, ensures near perfect cover performance even at the largest widths

Awning profiles

- extruded aluminium, in façade quality, powder coated
- Single-piece cassette profile
- Semi-circular front profile

Folding arms

- Profiles in extruded aluminium, in façade quality, powder coated
- Moving parts made of drop-forged aluminium – the arms are therefore extremely fracture resistant
- Pivot bolts in stainless steel run in Teflon-coated bronze bushes - practically maintenance free, virtually silent and extremely hard wearing
- Power transference via the innovative markilux bionic tendon at the elbow joint, made of high tensile, hightech fibres – low in friction, noiseless, impervious to corrosion and UV resistant, independently tested by the Fraunhofer Institute

Side caps

- Two-piece side cap for the cassette made of top-quality plastic, powder coated
- Front profile end caps made of top-quality plastic, dyed-through, with water draining spouts

Fixture

- Top fixture brackets with decorative covers, powder coated
- Wedge-in accro bars with brackets and articulated base, powder coated
- Railing securing for additional attachment of the wedge-in accro bars on the balcony railing, included in the scope of delivery by default

01 **Frame colours**

02 markilux frame colours without a surcharge

03 traffic white, RAL 9016

stone grey metallic, 5215 ¹⁾anthracite metallic, 5204 ¹⁾**Special coating**





Bespoke RAL colours incur a surcharge – matt, metallic and pearl finishes as well as other colour ranges (DB, Tiger etc.) on request. At a surcharge, all frame colours are available with enhanced corrosion protection.

Colours may differ slightly from those depicted in both hue and finish. In the case of special coating, dyed-to-the-core plastic parts may differ in colour.

1) textured finish


Dimensions and configuration options

Single unit

		Awning width					Minimum widths	
		200	250	300	350	400		
Order dimensions		194	201	251	301	351		
		200	250	300	350	400		
H	150	1)					194	181
	200		1)				244	231

1) = please note the minimum widths!

H = projection

 = 2 folding arms, 2 brackets



= 2 standard arms



= 2 bespoke arms (surcharge on request)

dimensions in cm

Operation

	standard	optional
crank handle	✓	—
spring-assisted crank handle	—	—
hard-wired motor	—	✓
silentec motor (optionally with external radio receiver io / RTS)	—	—
radio-controlled motor io, 868 MHz	—	✓
radio-controlled motor RTS, 433 MHz	—	✓
868 MHz radio-controlled motor io with manual override	—	—

Coupled awnings

not available

Awning cover

	fabric pattern no.	standard	optional
sunvas	300.. - 315..	✓	—
sunsilk	324.. / 328.. / 369..	✓	—
sunbow	411.. - 427..	✓	—
smart art	340..	—	✓
perla FR	371.. / 372..	—	✓

Shadeplus

not available

01
02
03
04
05**Optional accessories**

Automatic controls (light, wind, rain)

For more detailed information, please refer to the chapter "Optional Accessories" in the main catalogue.

Fixture options

top fixture bracket left	62251.
top fixture bracket right	62252.
wedge-in accro bar	62246.
clamp for wedge-in accro bar	62249.
cap for wedge-in accro bar	62250.
balcony securing	62260.

No. of brackets | No. of fixing points

06

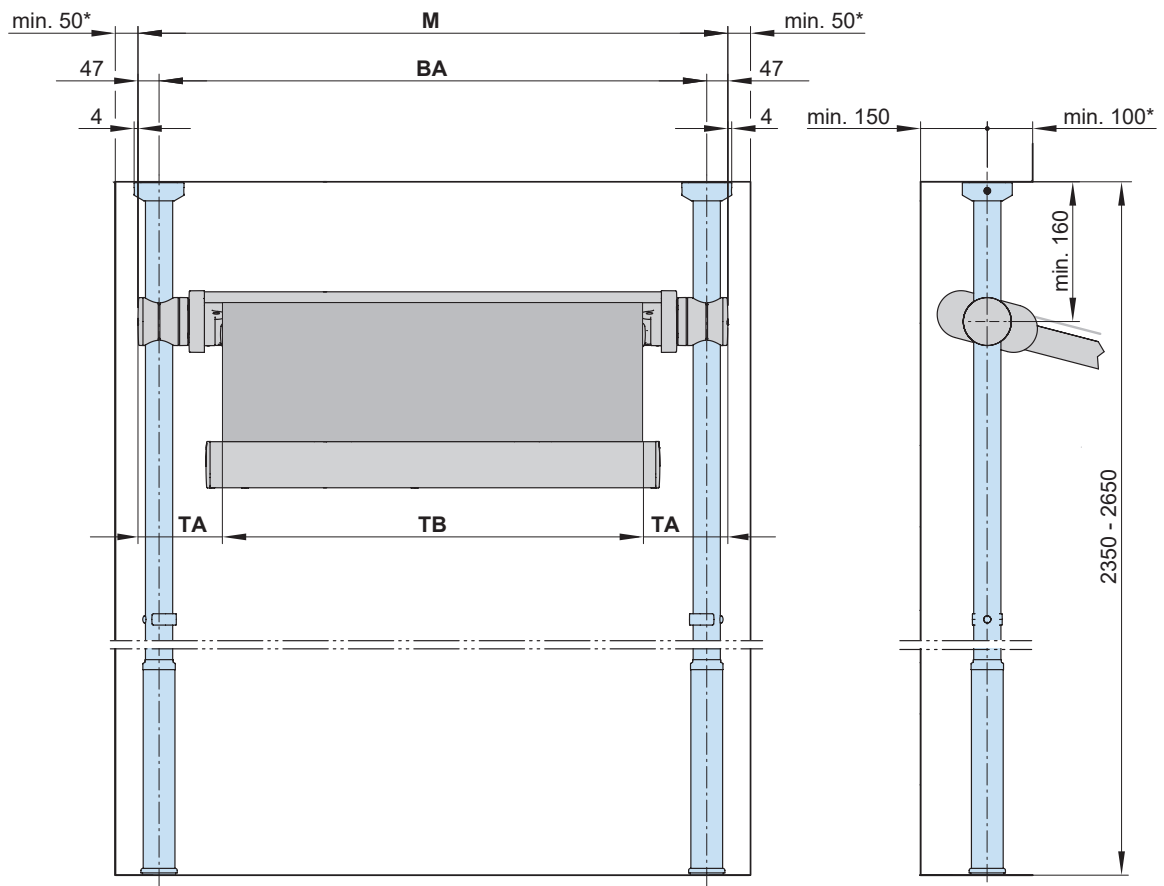
07
08

		Awning width				
		200	250	300	350	400
Order dimensions		194	201	251	301	351
		200	250	300	350	400
		No. of brackets No. of fixing points				
BHT						
S	10	2 2				
DE	13,8	2 8				

dimensions in cm

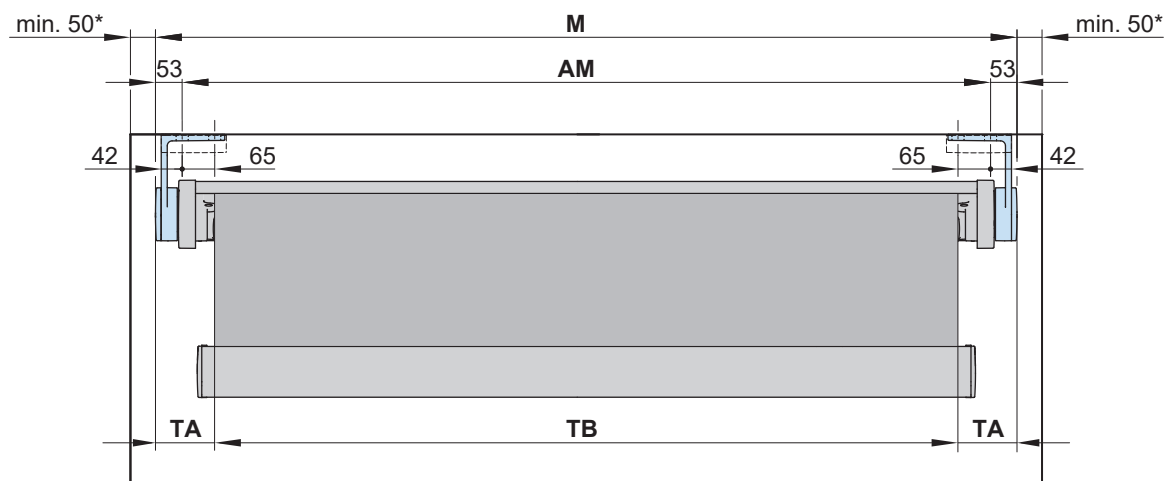
BHT = bracket width
DE = top fixture brackets
S = accro bar (contact surface diameter above under BHT)

Fixture range wedge-in accro bars



01
02
03
04
05
06
07
08

Fixture range top fixture



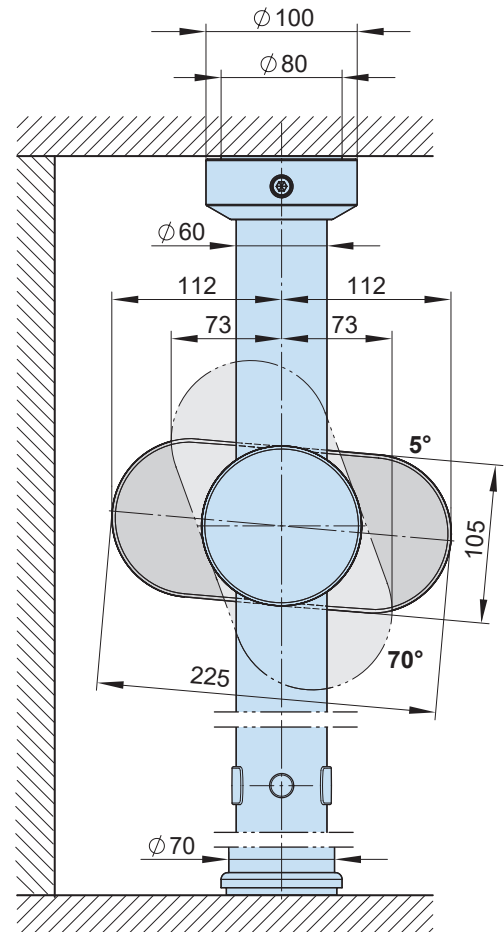
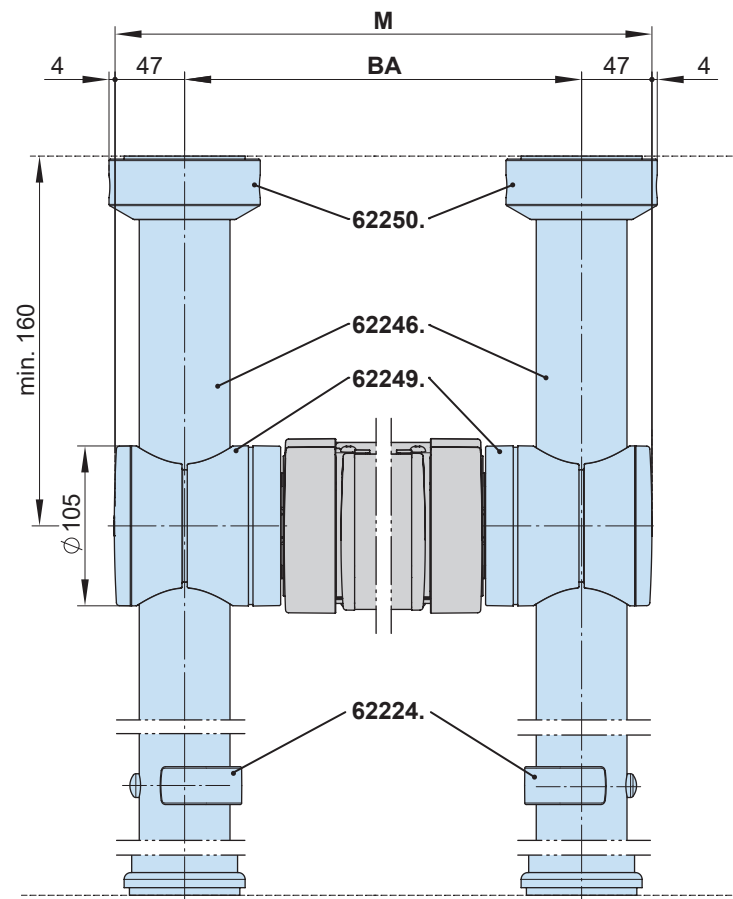
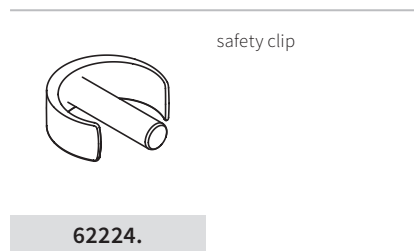
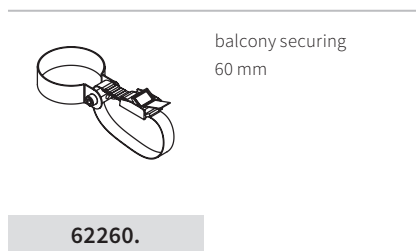
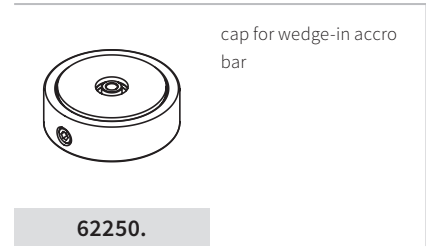
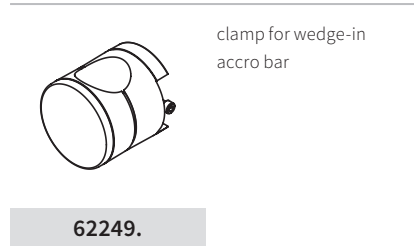
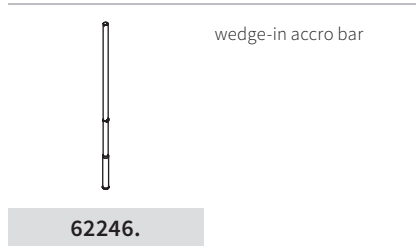
- * = observe the minimum edge distance specified by the fixture material supplier
- AM = installation dimensions
- BA = fixture width
- M = **order dimension** = overall awning width
- TA = cover width deductions

- TB = cover width in the case of *fixing with accro bars*
with a motor = M - 377 mm
with a gearbox = M - 394 mm
- TB = cover width in the case of a *top fixture*
with a motor = M - 245 mm
with a gearbox = M - 262 mm

dimensions in mm

01 **Fixture with wedge-in accro bars**

02 Fixtures, fittings and accessories



- 62224. = safety clip
- 62246. = wedge-in accro bar
- 62249. = clamp for wedge-in accro bar
- 62250. = cap for wedge-in accro bar
- BA = width between fixture points
- M = **order dimension** = overall awning width

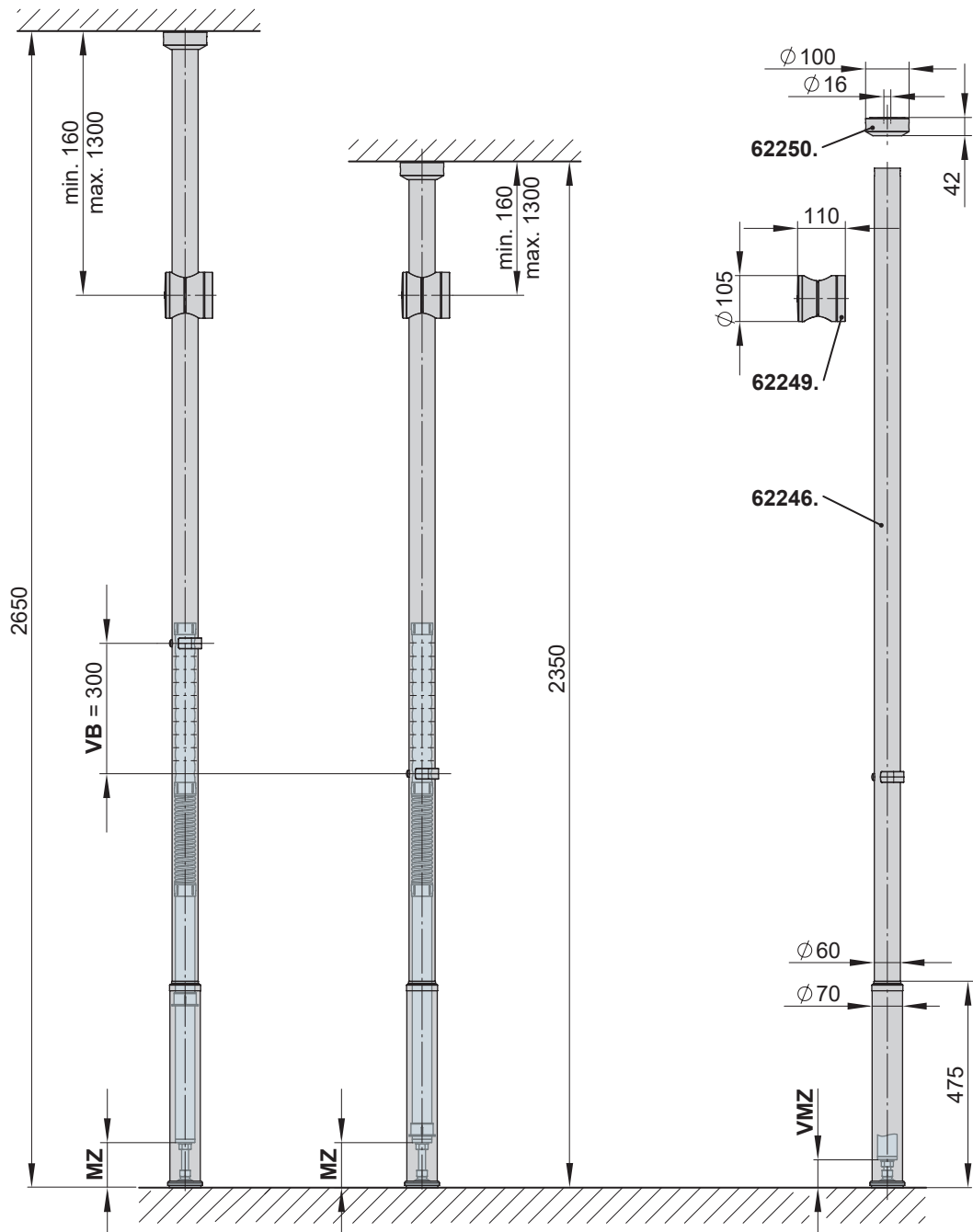
dimensions in mm

Fixture with wedge-in accro bars

Maximum height

Minimum height

Delivery state

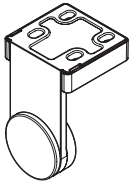


- 62246. = wedge-in accro bar
- 62249. = clamp for wedge-in accro bar
- 62250. = cap for wedge-in accro bar
- MZ = assembled state
- VB = adjustment range
- VMZ = pre-assembled state

dimensions in mm

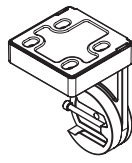
01 **Top fixture**

02 Fixtures, fittings and accessories



top fixture bracket left

62251.



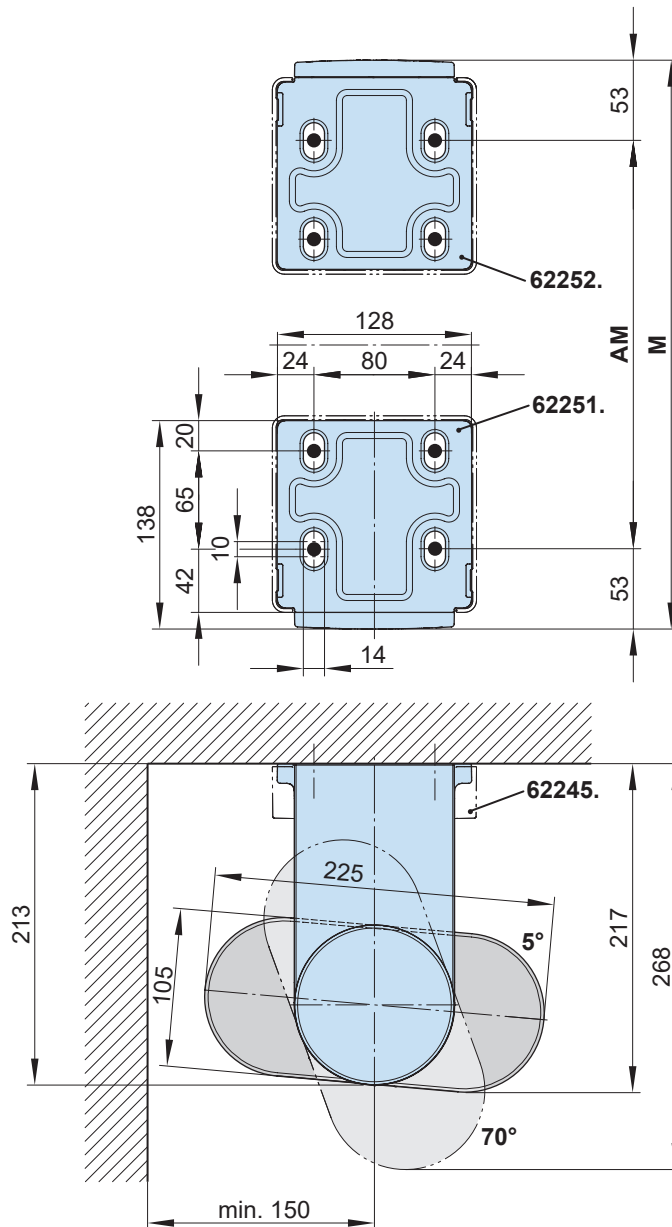
top fixture bracket right

62252.

06

07

08

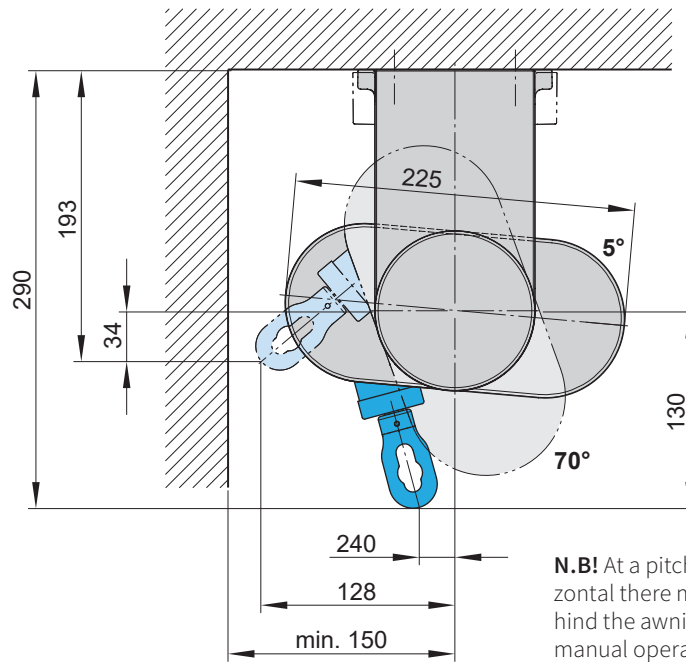


- 62245. = decorative cap for top fixture bracket
- 62251. = top fixture bracket, left
- 62252. = top fixture bracket, right
- AM = installation dimensions
- M = **order dimension** = overall awning width

dimensions in mm

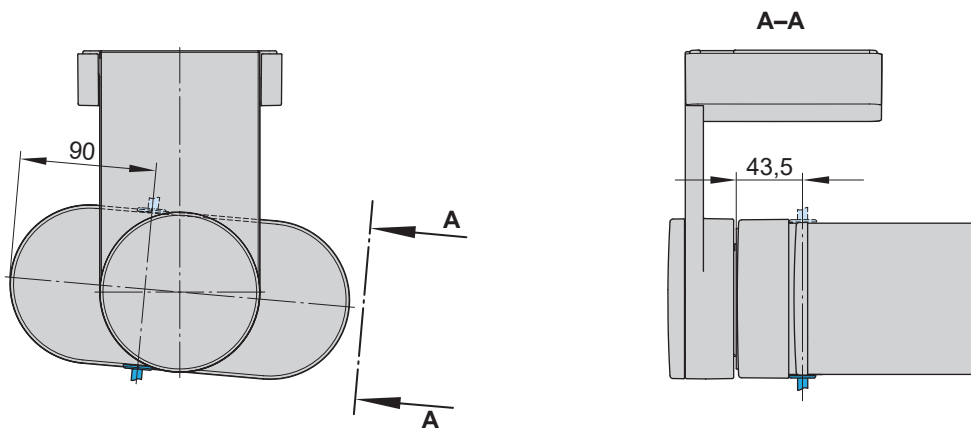
Top fixture with gearbox


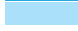
01
02
03
04
05
06
07
08



N.B! At a pitch of more than 46° to the horizontal there must be an accessible area behind the awning at least 60 cm deep to allow manual operation. There are no limitations with motor systems.

Motor cable exit point



 = standard
 = optional

dimensions in mm

01

02

03

04

05

06

07

08