



Vertical cassette blind

markilux 776 / 776 tracfix

The perfect sun protection solution which also maintains your privacy – the tensioned vertical cassette blind that can shade large surface areas.



reddot design award
winner 2017



GERMAN
DESIGN
AWARD
WINNER
2018

markilux.com

markilux
safe timeless beautiful

01 **Product Characteristics**

Wind resistance class 2 | 3 (depending on size)
Beaufort 5 → 28–37 km/h → 7.5–10.4 m/s → 17–23 mph |
Beaufort 6 → 38–48 km/h → 10.5–13.4 m/s → 24–30 mph

02 side view: motor drive, flat track bracket

side view: crank handle operation, flat track bracket

03



04

05

06

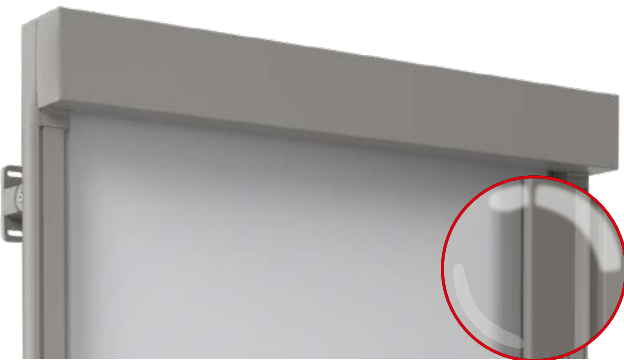
07

08

tracfix cover guidance – no gap between cover and track ¹⁾
track bracket 80 mm

reveal fixture using angled bracket (fixture type 15)

09



10

11

12

13

14

when extended, the front profile finishes flush with the end of
the guide tracks

fixture to a square markilux syncra post, as seen from the inside

15



16

17

18

19

fitted to a round markilux pergola post viewed from inside



1) Optional accessories

Product Characteristics

Description

- vertical cassette blind with angular design characteristics. The ingenious tensioning system and the sturdy design allow areas of up to 24 m² to be shaded

Special features

- fully encompassing cassette that protects the cover perfectly
- tried and tested tensioning system with drive belts and integrated gas pistons – delivers optimum cover tension in any phase of extension
- tracfix optional: the continuous lateral cover guidance system that leaves no gap between the cover and guide tracks – gives improved wind stability and a cleaner appearance
- panorama window optional, the transparent window made of a special foil that makes a perfect view both in and out possible – for both private and commercial applications
- the broad range of brackets with patented clip-on system offers individual fixture solutions, from discrete to conspicuous
- can be combined perfectly with other markilux awning systems

Dimensions

- single unit: 60–600 cm in width, maximum unit height 600 cm (depending on the width)
- maximum dimensions, width × unit height: 400 × 600 cm / 500 × 450 cm / 550 × 400 cm / 600 × 350 cm (without tracfix)
- maximum dimensions, width × unit height: 550 × 400 cm / 600 × 350 cm (with tracfix)
- intermediate sizes are available

Roller tube and lateral bearings

- round roller tube Ø 85 mm with keyway, galvanised steel – excellent stability, ensures near perfect cover performance even at the largest widths
- the roller tube bearing is made of stainless steel

Awning profiles

- extruded aluminium, in façade quality, powder coated
- cassette profile in two pieces, angular, height × depth 125 mm × 125 mm
- guide tracks angular, rounded edges, width × depth 52 mm × 52 mm
- front profile rounded on the underside, smooth appearance, height × depth 110 mm × 52 mm

End caps

- the cassette end caps are made of die-cast aluminium, in two parts, powder coated
- the front profile end caps are made of high-quality plastic, powder coated

Fixture brackets

- extruded aluminium, powder coated
- self-supporting cassette attached to the top of the angled guide rails
- brackets for the guide tracks: face fixture, reveal fixture, post fixture (posts of the markilux pergola with fixed posts / markilux syncra)
- standard bracket heights: 20 mm / 85 mm / 105 mm / 145 mm (bespoke heights can be ordered)

01 **Frame colours**

02 markilux frame colours without surcharge

03 traffic white, RAL 9016



metallic aluminium, RAL 9006



grey brown, similar to RAL 8019

04 off-white textured finish, 5233 ¹⁾stone grey metallic, 5215 ¹⁾anthracite metallic, 5204 ¹⁾05 havana brown textured finish, 5229 ¹⁾17 **Non-standard powder-coated finish**

18 Bespoke frame colours incur a surcharge – matt, metallic, finely textured and pearl finishes as well as other colour ranges (DB, Tiger etc.) on request. All frame colours are available at a surcharge with enhanced corrosion protection.

19 Colours may differ slightly from those depicted in both hue and finish.

1) textured finish

Dimensions and configuration options

Single unit

		Awning fixture width									Minimum fixture width		
		150	200	250	300	350	400	450	500	550	600	Hard-wired motor	Radio-controlled motor
Order dimensions		60	151	201	251	301	351	401	451	501	551		
		150	200	250	300	350	400	450	500	550	600		
Overall width		+ 5,4											
AH	150 ¹⁾											60 / 72 ¹⁾	70 / 82 ¹⁾
	200 ¹⁾												
	250 ¹⁾												
	300 ¹⁾								2)	2)	2)		
	350 ¹⁾						2)	2)	2)	2)	2)		
	400 ¹⁾	2)	2)	2)	2)	2)	2)	2)	2)	2)	—	107 ³⁾	107 ³⁾
	450	2)	2)	2)	2)	2)	2)	2)	2)	—	—		
	500	2)	2)	2)	2)	2)	2)	—	—	—	—		
	550	2)	2)	2)	2)	2)	2)	—	—	—	—		
600	2)	2)	2)	2)	2)	2)	—	—	—	—			

dimensions in cm

- 1) = tracfix (optional). Only available with motor
 - 2) = meets wind resistance class 2, all other sizes meet wind resistance class 3
 - 3) = from a unit height of 281 cm
 - AH = unit height
- = 2 brackets per track
 = 3 brackets per track

Operation	standard	optional
crank handle, outside	✓ ¹⁾	—
crank handle, at the rear	—	—
crank handle, internal operation	—	—
hard-wired motor	✓ ²⁾	✓
radio-controlled motor io, 868 MHz	—	✓
radio-controlled motor RTS, 433 MHz	—	✓

- 1) Not with tracfix
- 2) With tracfix

Coupled awnings
not available

Awning cover	fabric pattern no.	standard	optional
sunvas	300..-315..	✓	—
sunsilk	324.. / 328.. / 369..	✓	—
sunbow	411..-427..	✓	—
smart art	340..	—	✓
perla FR	371.. / 372..	—	✓
perfortex	331.. / 332..	✓	—
transolair	338..	—	✓
transolair (120 cm)	339..	—	✓
vuscreen Alu	317..	—	✓
Soltis Perform 92	92-..	—	✓
glass fibre screen Serge 600	272..	—	✓
Soltis Veozip	511..	—	✓

Optional accessories

- tracfix – cover guidance system holding the cover neatly in the guide rails
- flexible panorama window, only available in combination with tracfix
- automatic controls (light, wind, rain)

N.B. Important background information can be found in the chapter “Optional Accessories”.

01
02
03
04
05
06
07
08
09
10
11
12
13
14
15
16
17
18
19

sunvas Fabric pattern 309.. – 315..
transolair 339..
perla FR 371..³⁾ / 372..³⁾
Fabric width 120 cm

smart art 340..
sunsilk 324.. / 328.. / 369..

		Awning fixture width										
		150	200	250	300	350	400	450	500	550	600	
AH	tracfix 1)	150										
		200										
		250										
		300										
		350										
		400										
		450										
		500										
		550										
		600										

sunvas Fabric pattern 31008²⁾, -09²⁾, -13, -16, -18, -25, -27, -28, -31, -36, -37, -57, -58, 31109, -14, -17
Fabric width 250 cm

		Awning fixture width										
		150	200	250	300	350	400	450	500	550	600	
AH	tracfix 1)	150										
		200										
		243										
		300				2)	2)	2)				
		313				2)	2)	2)				
		400				2)	2)					
		450				2)	2)					
		500				2)	2)					
		550				2)	2)					
		600				2)	2)					

2) also available in fabric width 320 cm – then seamless

sunbow Fabric pattern 411.. - 427..
Fabric width 120 cm

		Awning fixture width										
		150	200	250	300	350	400	450	500	550	600	
AH	tracfix 1)	150										
		200										
		250										
		300										
		350	3)	3)	3)	3)	3)	3)	3)	3)	3)	3)
		400	3)	3)	3)	3)	3)	3)	3)	3)		
		450										
		500										
		550										
		600										

3) Only in tracfix units

Note: The maximum width of the outer panels in tracfix systems with vertical panel joints is 35 cm

☐ = vertical panel joints
(panel width approx. 120 cm)

☐ = seamless

☐ = horizontal panel joint(s)

☐ = not available

AH = unit height

1) = optional

dimensions in cm

transolair Fabric pattern 338..
Fabric width 250 cm

		Awning fixture width									
		150	200	250	300	350	400	450	500	550	600
AH	tracfix 1)	150									
		200									
		243									
		300									
		350									
		400									
		450									
		500									
		550									
		600									

perfortex Fabric pattern 331.. / 332..
Fabric width 120 cm

		Awning fixture width									
		150	200	250	300	350	400	450	500	550	600
AH	tracfix 1)	150									
		200									
		250									
		300									
		350									
		400									
		450									
		500									
		550									
		600									


vuscreen Alu Fabric pattern 317..
Fabric width 252 cm



		Awning fixture width									
		150	200	250	300	350	400	450	500	550	600
AH	tracfix 1)	150									
		200									
		243									
		300									
		350									
		400									
		450									
		500									
		550									
		600									


glass fibre screen Serge 600 (only available with tracfix) Fabric pattern 272..

		Awning fixture width									
		150	200	250	300	350	400	450	500	550	600
AH	tracfix 1)	150									
		200									
		250									
		300									
		350									
		400									
		450									
		500									
		550									
		600									

Note: The maximum width of the outer panels in tracfix systems with vertical panel joints is 35 cm

 = vertical panel joints
(panel width approx. 120 cm)

 = seamless
 = horizontal panel joint(s)

 = not available
AH = unit height

1) = optional

dimensions in cm

01
02
03
04
05
06
07
08
09
10
11
12
13
14
15
16
17
18
19

Soltis Veozip (only available with tracfix) Fabric pattern 511..
Fabric width 290 cm

		Awning fixture width									
		150	180	250	300	350	400	450	500	550	600
AH	tracfix 1)	150	180	250	300	350	400	450	500	550	600
	tracfix 1)	200	180	250	300	350	400	450	500	550	600
	tracfix 1)	250	180	250	300	350	400	450	500	550	600
	tracfix 1)	300	180	250	300	350	400	450	500	550	600
	tracfix 1)	350	180	250	300	350	400	450	500	550	600
	tracfix 1)	400	180	250	300	350	400	450	500	550	600
	tracfix 1)	450	180	250	300	350	400	450	500	550	600
	tracfix 1)	500	180	250	300	350	400	450	500	550	600
	tracfix 1)	550	180	250	300	350	400	450	500	550	600
	tracfix 1)	600	180	250	300	350	400	450	500	550	600

Soltis Perform 92 Fabric pattern. 92-..
Fabric width 177 cm

		Awning fixture width									
		150	180	250	300	350	400	450	500	550	600
AH	tracfix 1)	150	180	250	300	350	400	450	500	550	600
	tracfix 1)	200	180	250	300	350	400	450	500	550	600
	tracfix 1)	250	180	250	300	350	400	450	500	550	600
	tracfix 1)	300	180	250	300	350	400	450	500	550	600
	tracfix 1)	350	180	250	300	350	400	450	500	550	600
	tracfix 1)	400	180	250	300	350	400	450	500	550	600
	tracfix 1)	450	180	250	300	350	400	450	500	550	600
	tracfix 1)	500	180	250	300	350	400	450	500	550	600
	tracfix 1)	550	180	250	300	350	400	450	500	550	600
	tracfix 1)	600	180	250	300	350	400	450	500	550	600

Note: The maximum width of the outer panels in tracfix systems with vertical panel joints is 35 cm

= vertical panel joints (panel width approx. 120 cm)
 = seamless
 = not available
 = horizontal panel joint(s)
 AH = unit height

1) = optional

dimensions in cm

Fixtures, fittings and accessories

Accessories

flat track bracket
fixture type 10 and 15

78548.

double track bracket
plat
2 single units

73627.

additional angled
bracket for the
bearing, gearbox and
motor sides
50 × 50 × 80 mm
fixture type 15

78719.

track bracket, with
adjustable head
80 mm
fixture type 20

73624.

double track bracket
with adjustable head
80 mm
central bracket for 2
single units next to
each other

73631.

windmill track bracket
80 mm

73629.

track bracket, with
adjustable head
100 mm

76046.

double track bracket
with adjustable head
100 mm
central bracket for 2
single units next to
each other

73634.

windmill track bracket
100 mm

76054.

track bracket, with
adjustable head
140 mm

76048.

double track bracket
with adjustable head
140 mm
central bracket for 2
single units next to
each other

73636.

universal track bracket
with adjustable head
140-500 mm

76053.

covering cap
for square track bracket
standard accessory for
bracket

2 × 76718.

reduction bolt
M 10 → M 6 / SW 13
30 mm length
pack 10 pcs

8440381

stand-off fixing tube
30 × 10 × 1000 mm
N.B.!
Stack to a max. height
of 120 mm

701668

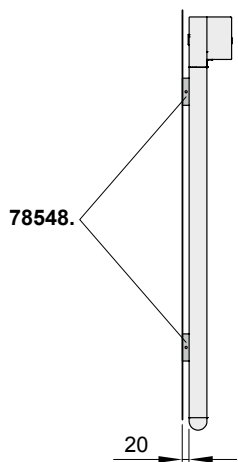
01
02
03
04
05
06
07
08
09
10
11
12
13
14
15
16
17
18
19

01 **Fixture types**

02

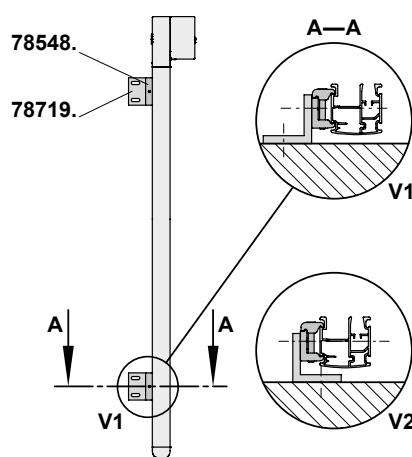
10

Clearance 20 mm



15

By angled bracket to the side



03

04

05

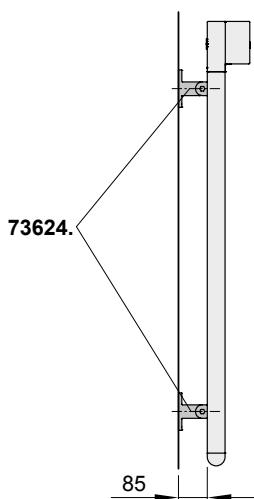
06

07

08

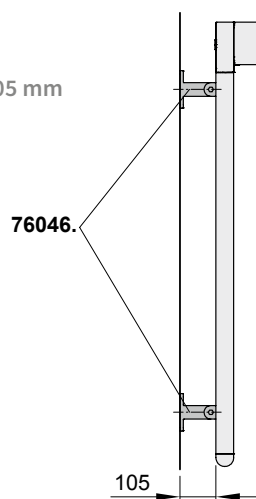
09 **20**

Clearance 85 mm



21

Clearance 105 mm



10

11

12

13

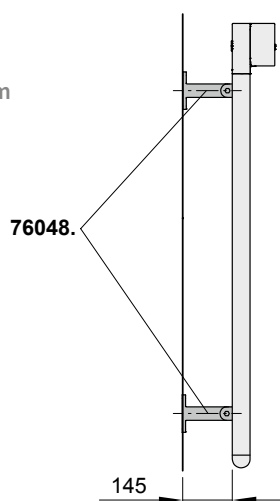
14

15

16

17 **22**

Clearance 145 mm



18

19

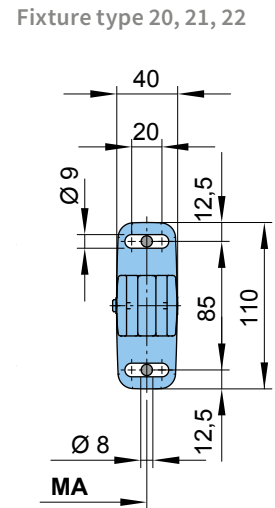
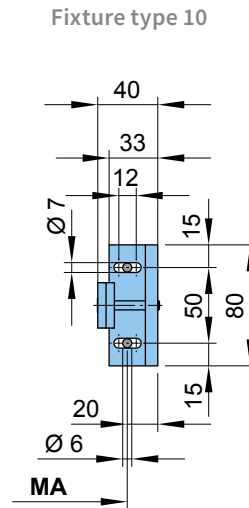
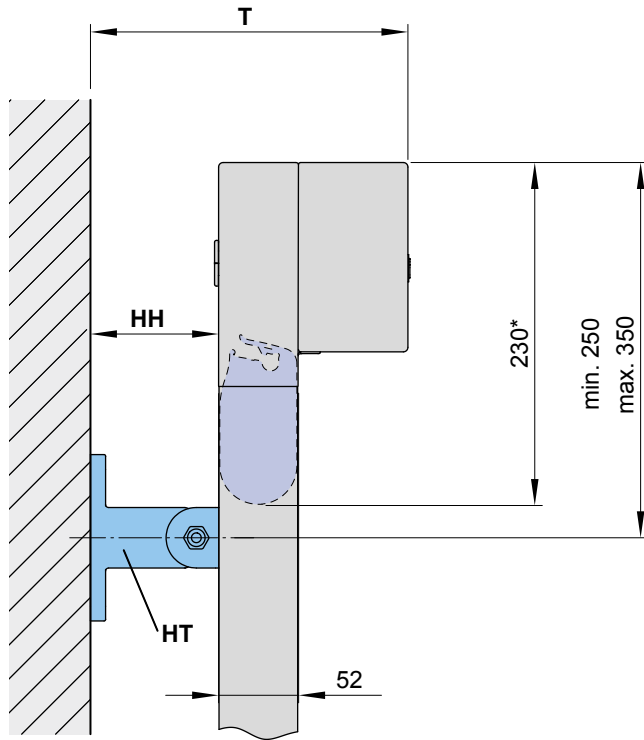
Individual bracket selection:

See "Fixtures, fittings and accessories". When unit height > 300 cm, always 3 brackets per guide track.

dimensions in mm

Fixture types

Overview of dimensions



	Fixture type 10	Fixture type 20	Fixture type 21	Fixture type 22
HT = bracket	78548.	73624.	76046.	76048.
HH = bracket height	20	85	105	145
T = overall height	150	215	235	275

MA = **order dimension** = blind fixture width = fixture width

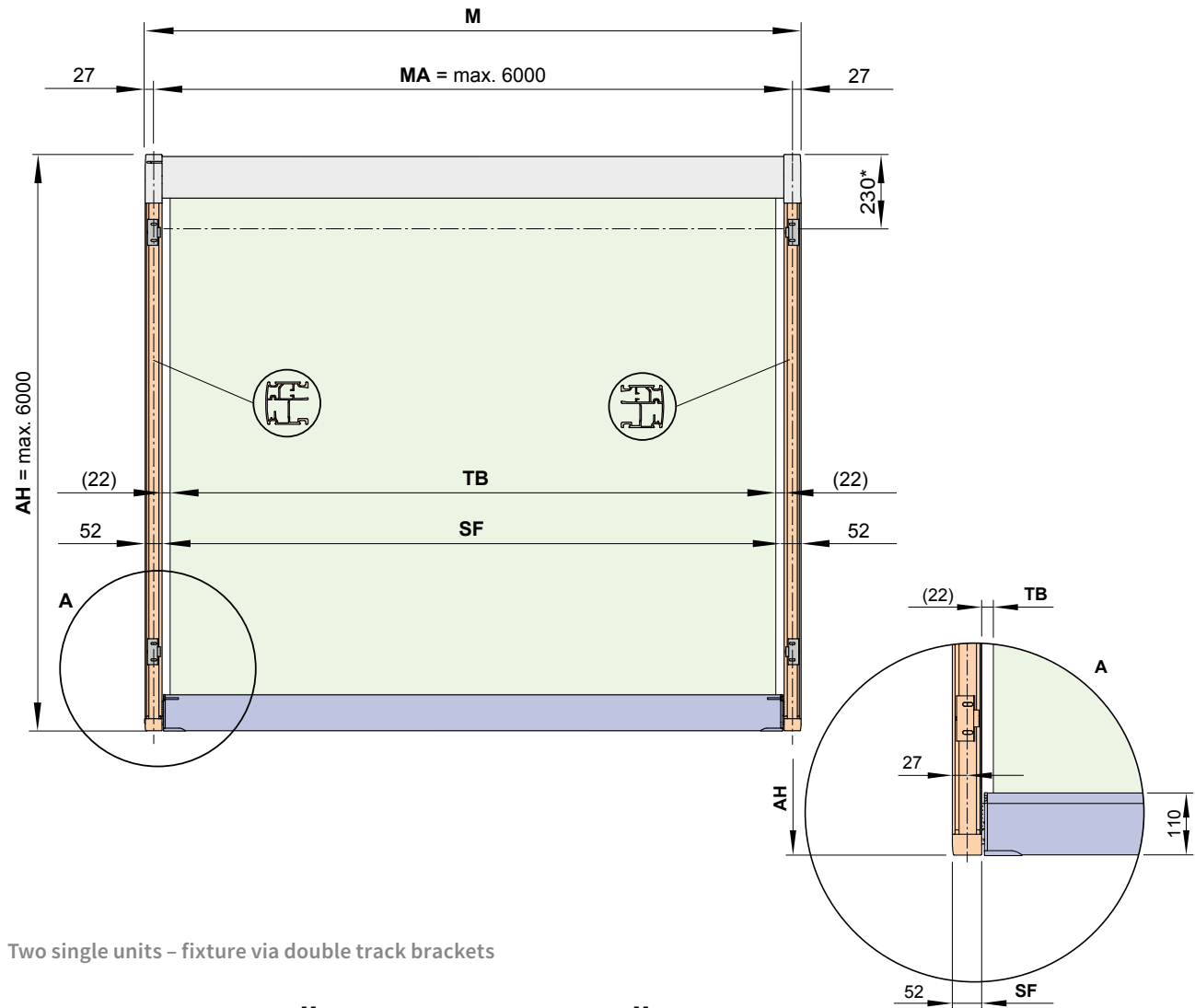
* = unit height when retracted

dimensions in mm

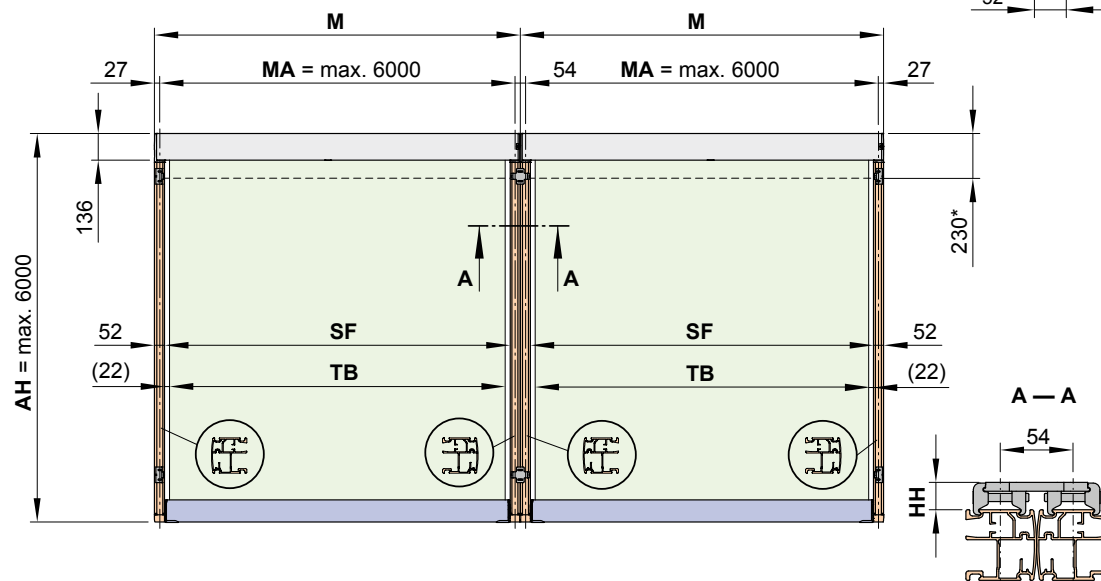
01
02
03
04
05
06
07
08
09
10
11
12
13
14
15
16
17
18
19

Overview of dimensions

Single unit



Two single units - fixture via double track brackets



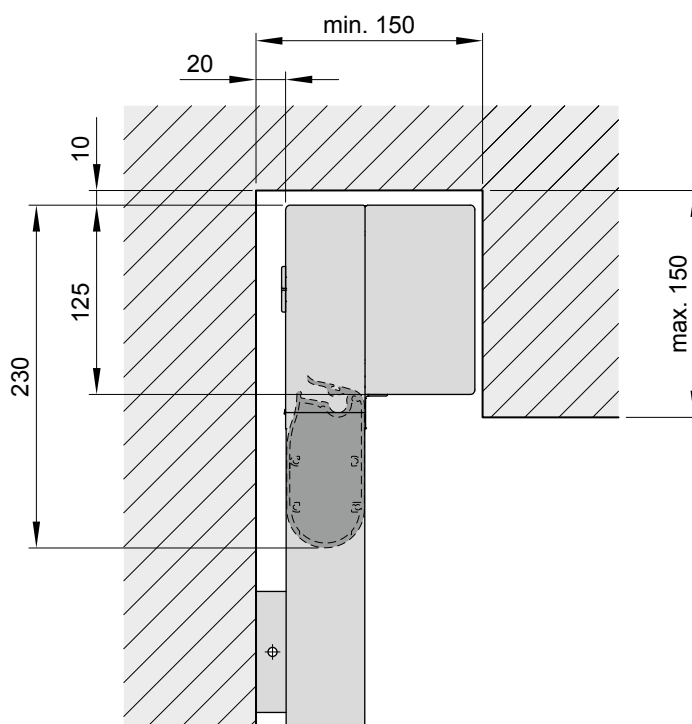
- * = unit height when retracted
- (...) = gap between cover and guide track (non-tracfix units)
- AH = **order dimension** = unit height
- HH = bracket height

- M = awning width
- MA = **order dimension** = blind fixture width = fixture width
- SF = visible cover (in tracfix systems)
- TB = cover width

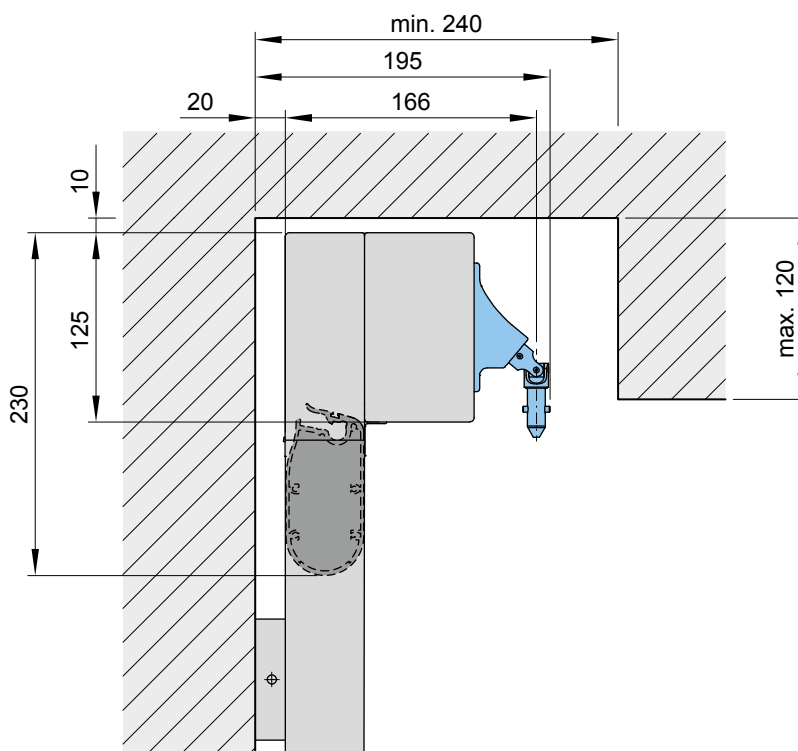
dimensions in mm

Overview of dimensions

Top window well fixture, motor drive



Top window well fixture, manual operation



dimensions in mm

01
02
03
04
05
06
07
08
09
10
11
12
13
14
15
16
17
18
19

Dimension overview Fixture type 10, 15

Fixtures, fittings and accessories

flat track bracket
fixture type 10 and 15

78548.

double track bracket
plat
2 single units

73627.

additional angled
bracket for the
bearing, gearbox and
motor sides
50 x 50 x 80 mm
fixture type 15

78719.

accessories
for two angled brackets
78719.

787211

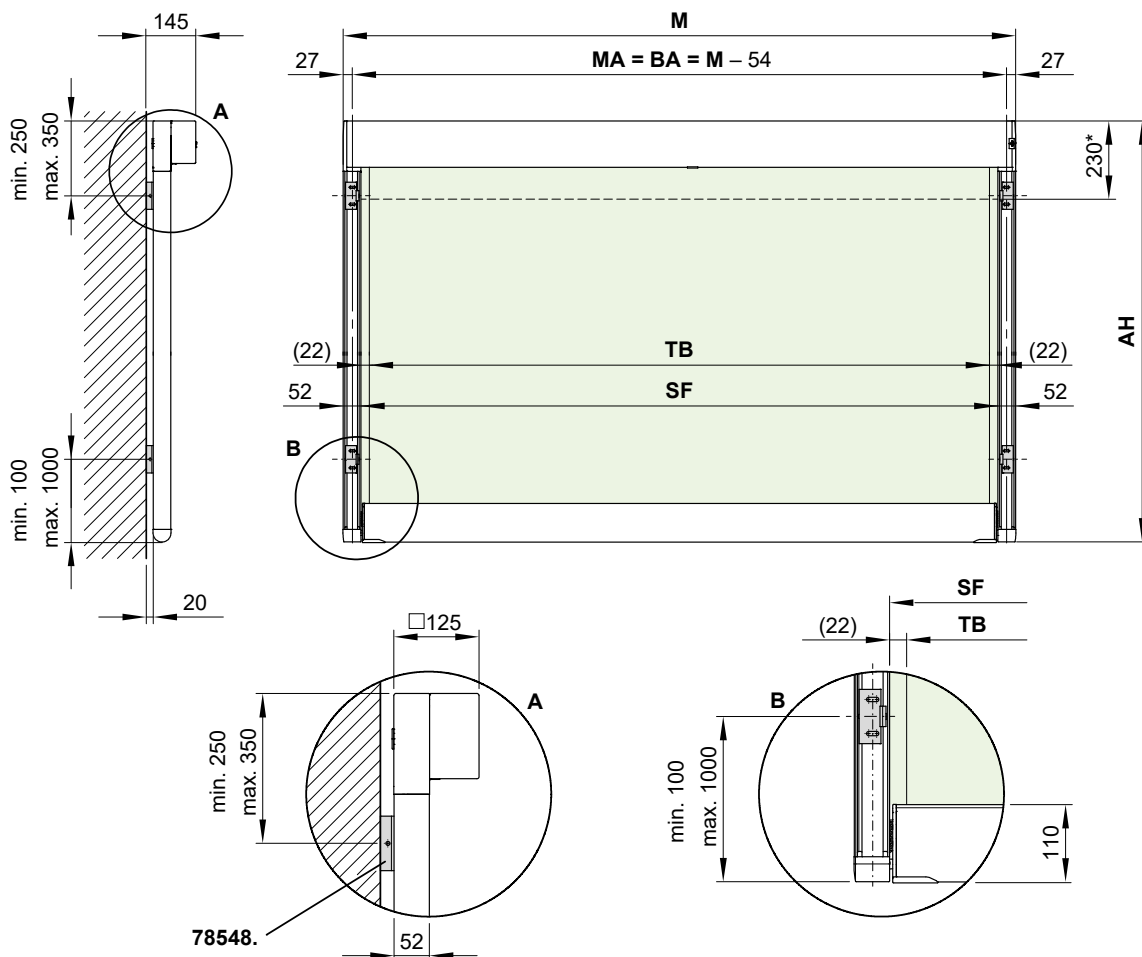
reduction bolt
M 10 → M 6 / SW 13
30 mm length
pack 10 pcs

8440381

stand-off fixing tube
30 x 10 x 1000 mm
N.B.!
Stack to a max. height
of 120 mm

701668

Fixture type 10, as seen from inside



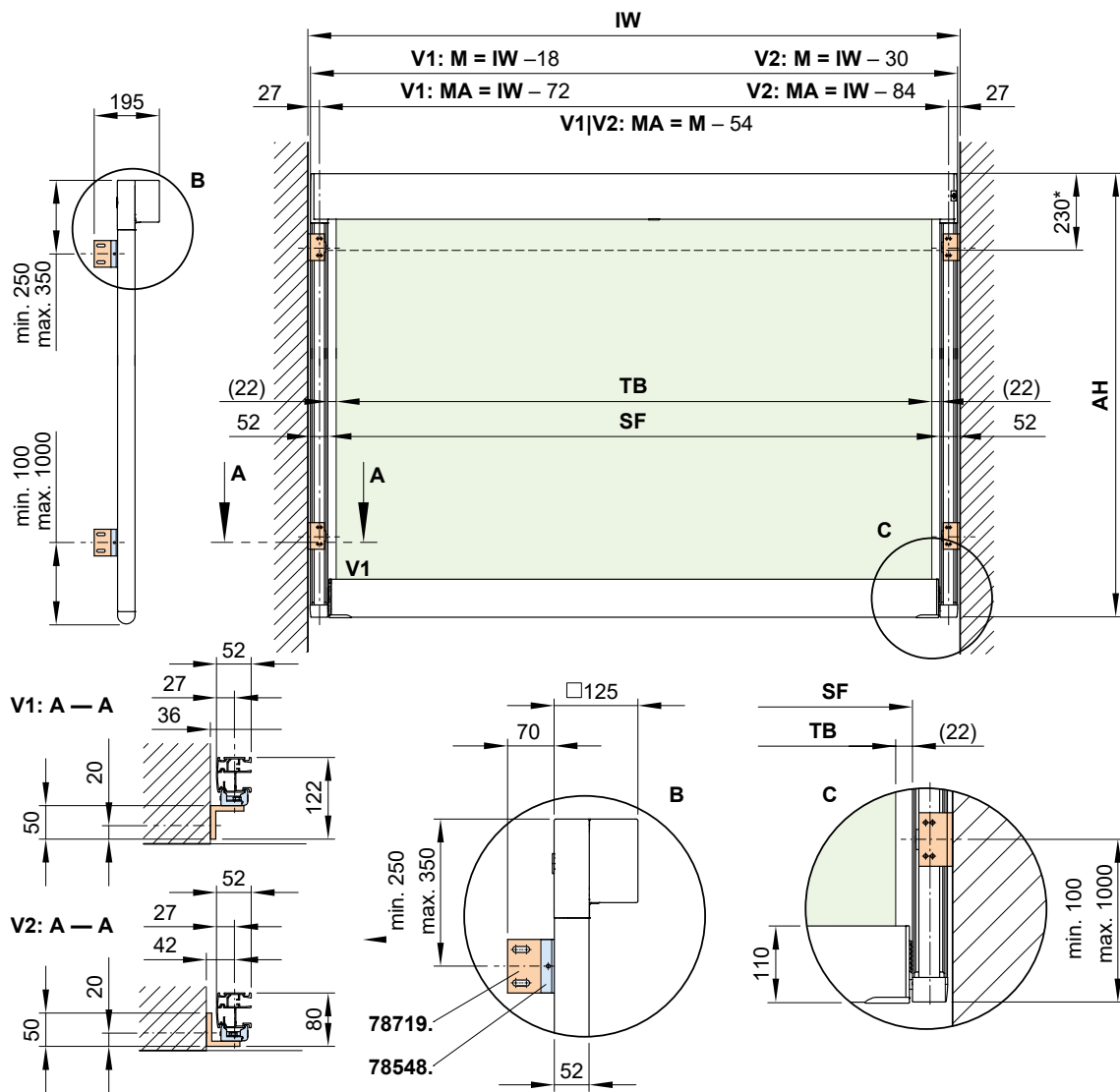
- * = height of cassette including front profile, retracted
- (...) = gap between cover and guide track (non-tracfix units)
- AH = **order dimension** = unit height
- BA = fixture width

- M = overall blind width = MA + 54 mm
- MA = **order dimension** = blind fixture width = fixture width
- SF = visible cover
- TB = cover width

dimensions in mm

Dimension overview Fixture type 10, 15

Fixture type 15, as seen from inside



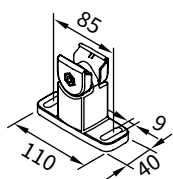
- * = unit height when retracted
- (...) = gap between cover and guide track (non-tracfix units)
- AH** = **order dimension** = unit height
- IW** = reveal width
- M** = overall blind width = $MA + 54$ mm
- MA** = **order dimension** = blind fixture width = fixture width
- SF** = visible cover
- V1, V2** = variants 1 and 2

dimensions in mm

01 **Fixtures, fittings and accessories – fixture types 20, 21, 22**

02 **Fixtures, fittings and accessories – fixture type 20**

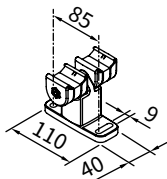
03



track bracket, with adjustable head
80 mm

fixture type 20

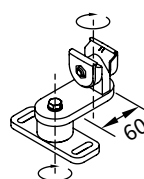
73624.



double track bracket with adjustable head
80 mm

central bracket for 2 single units next to each other

73631.

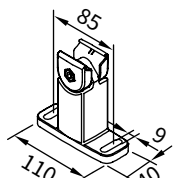


windmill track bracket
80 mm

73629.

06 **Fixtures, fittings and accessories – fixture type 21**

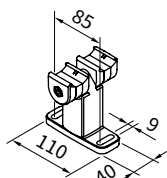
07



track bracket, with adjustable head

100 mm

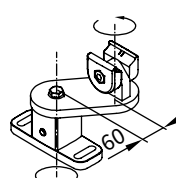
76046.



double track bracket with adjustable head
100 mm

central bracket for 2 single units next to each other

73634.

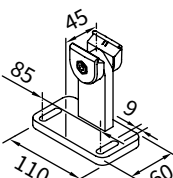


windmill track bracket
100 mm

76054.

08

09



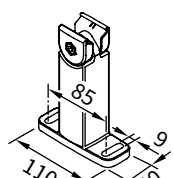
track bracket with offset footplate

100 mm

76199.

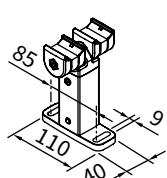
14 **Fixtures, fittings and accessories – fixture type 22**

15



track bracket, with adjustable head
140 mm

76048.



double track bracket with adjustable head
140 mm

central bracket for 2 single units next to each other

73636.

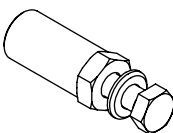
16

17

18

Accessories

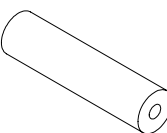
19



reduction bolt
M 10 → M 6 / SW 13

30 mm length
pack 10 pcs

8440381



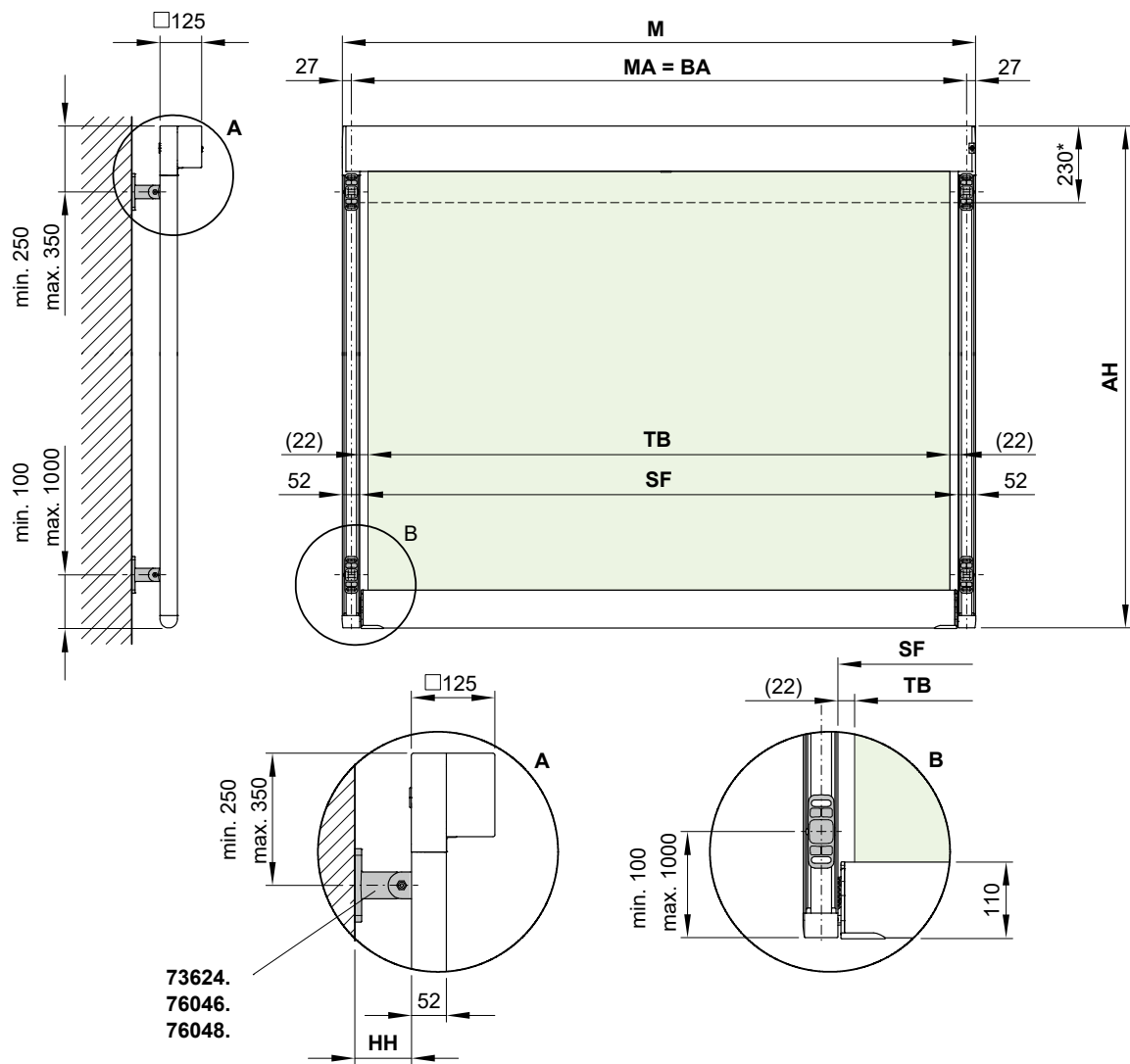
stand-off fixing tube
30 × 10 × 1000 mm

N.B.!
Stack to a max. height of 120 mm

701668

Dimension overview fixture types 20, 21, 22

Fixture type 20, as seen from inside



73624.
76046.
76048.

- * = unit height when retracted
- (...) = gap between cover and guide track (non-tracfix units)
- AH = **order dimension** = unit height
- BA = width between fixture points
- HH = bracket height
- M = Awning width
- MA = **order dimension** = blind fixture width = fixture width
- SF = visible cover (in tracfix systems)
- TB = cover width

dimensions in mm

01
02
03
04
05
06
07
08
09
10
11
12
13
14
15
16
17
18
19

01 Dimensions, fixture to the posts of the markilux pergola with fixed posts

02

03

04

05

06

07

08

09

10

11

12

13

14

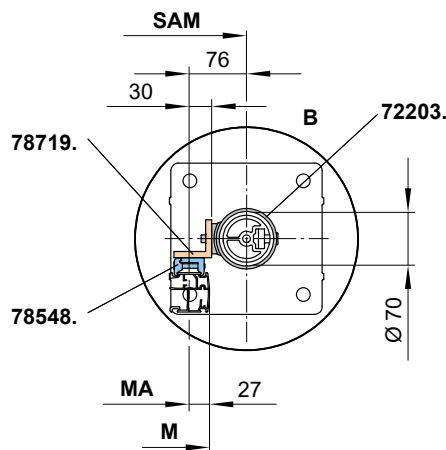
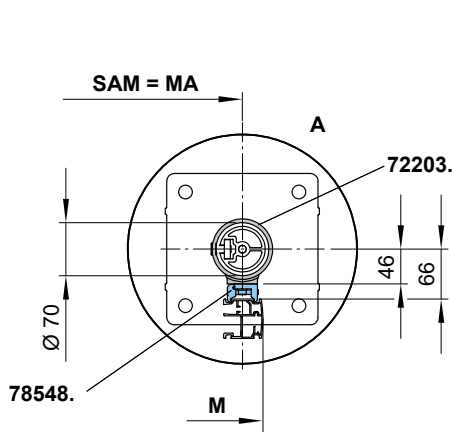
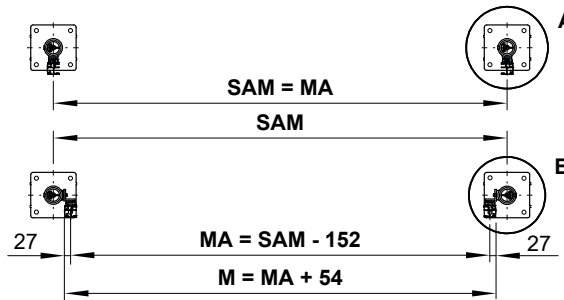
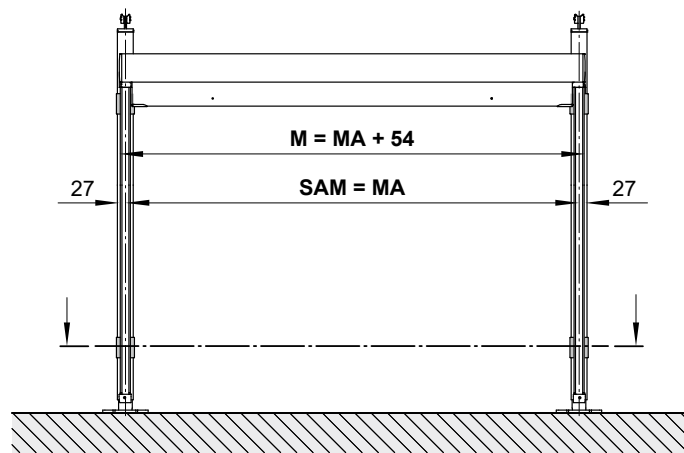
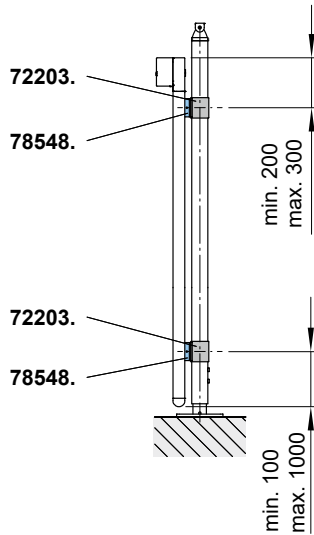
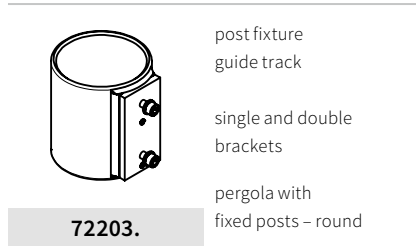
15

16

17

18

19

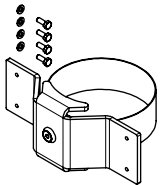


- A = detailed drawing fixture type 10
- B = detailed drawing fixture type 15
- M = overall blind width = MA + 54 mm
- MA = order dimension = blind fixture width = fixture width
- SAM = post separation centre to centre

dimensions in mm

Dimension overview in combination with the markilux syncra

Fixture to a round post

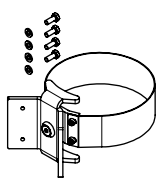


post fixture guide track

centre, both sides

round posts

79557.

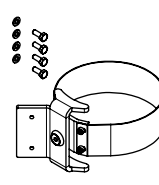


post fixture guide track

corner, both sides

round posts

79556.

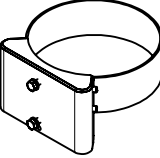


post fixture guide track

corner, one side

round posts

79558.



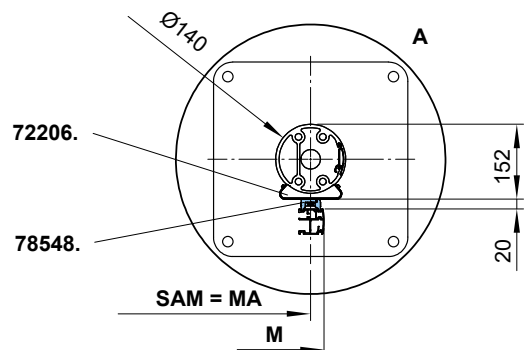
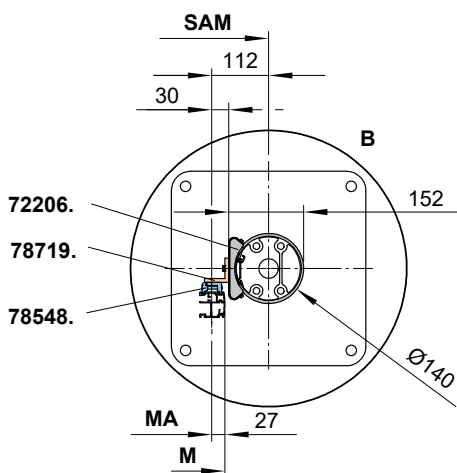
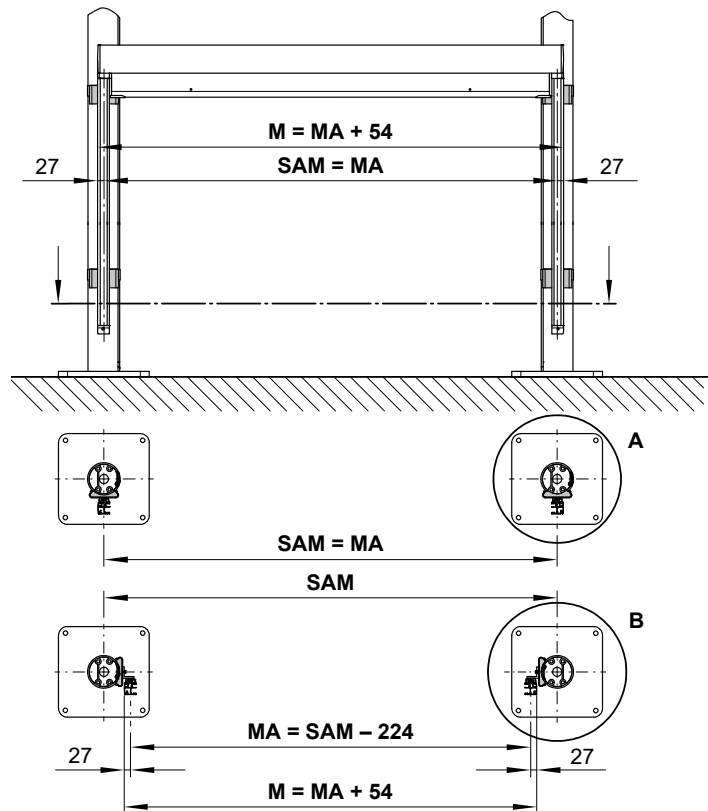
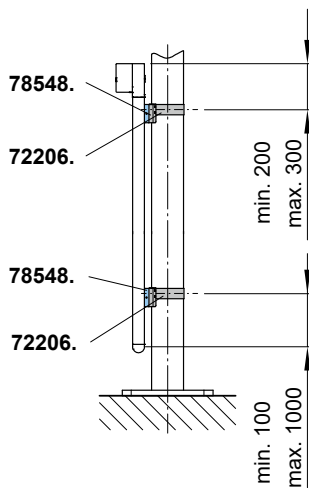
post fixture guide track

single and double brackets

round posts

72206.

Please note: When fixing to the markilux syncra only two brackets per track are needed!



- A = detailed drawing fixture type 10
- B = detailed drawing fixture type 15
- M = overall blind width = $MA + 54$ mm
- MA = **order dimension** = blind fixture width = fixture width
- SAM = post separation centre to centre

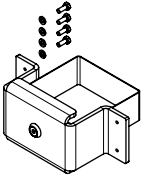
dimensions in mm

01
02
03
04
05
06
07
08
09
10
11
12
13
14
15
16
17
18
19

Dimension overview in combination with the markilux syncra

Fixture to a square post

01
02
03
04
05
06
07
08
09
10
11
12
13
14
15
16
17
18
19

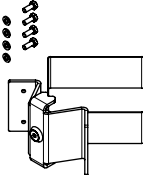


post fixture
guide track

centre, both sides

square posts

72234.

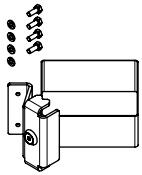


post fixture
guide track

corner, both sides

square posts

72233.

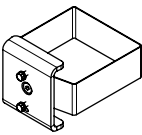


post fixture
guide track

corner, one side

square posts

72235.



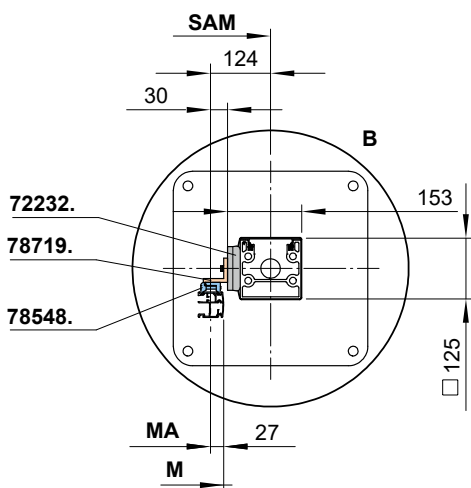
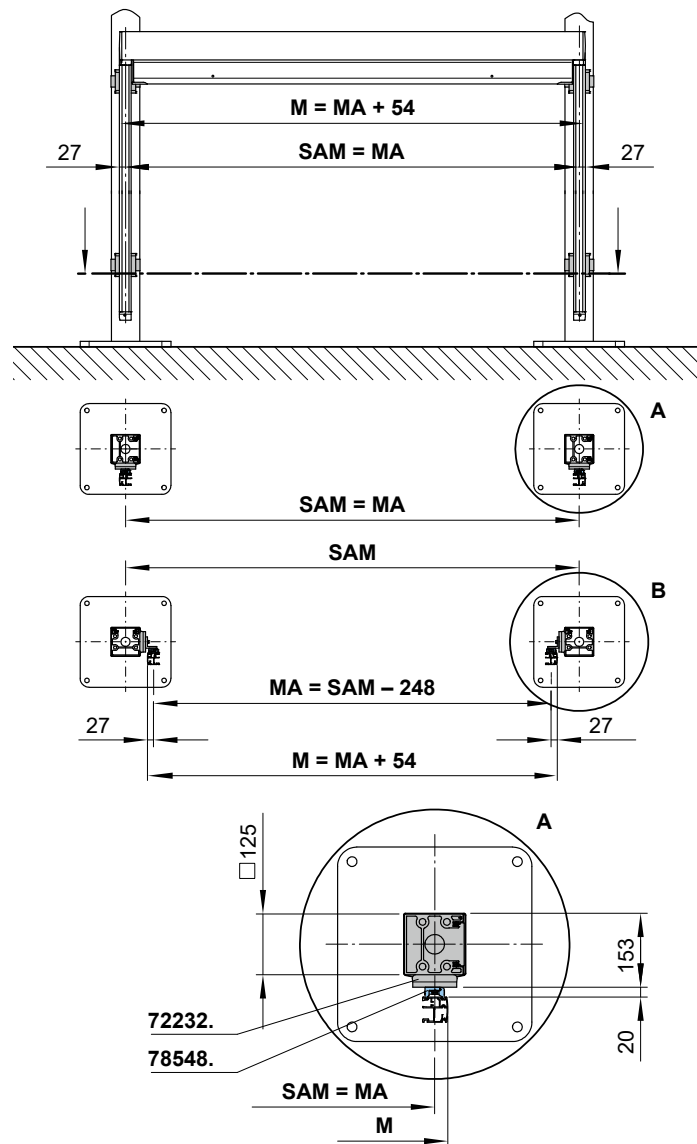
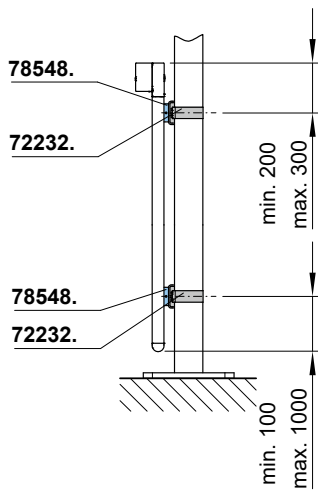
post fixture
guide track

single and double
brackets

square posts

72232.

Please note: When fixing to the markilux syncra only two brackets per track are needed!

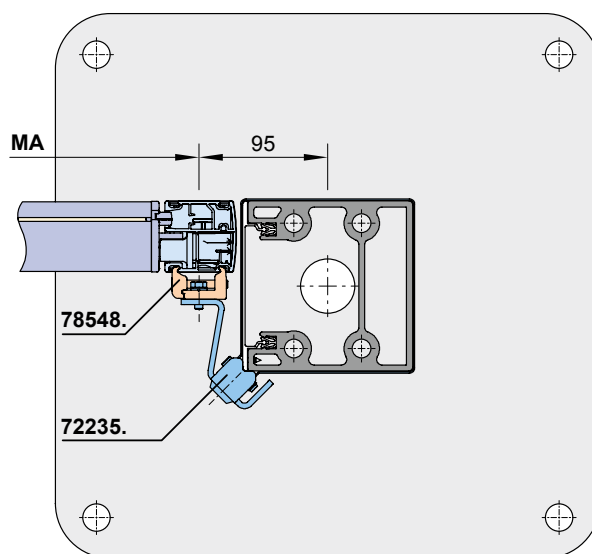
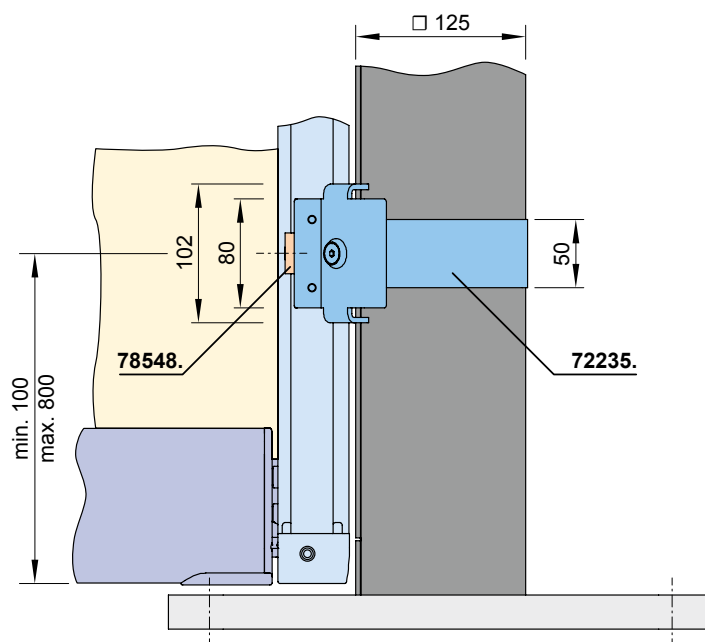


- A = detailed drawing fixture type 10
- B = detailed drawing fixture type 15
- M = overall blind width = $MA + 54$ mm
- MA = **order dimension** = blind fixture width = fixture width
- SAM = post separation centre to centre

dimensions in mm

Dimension overview in combination with the markilux syncra

Fixture to a square post



- 01
- 02
- 03**
- 04
- 05
- 06
- 07
- 08
- 09
- 10
- 11
- 12
- 13
- 14
- 15
- 16
- 17
- 18
- 19

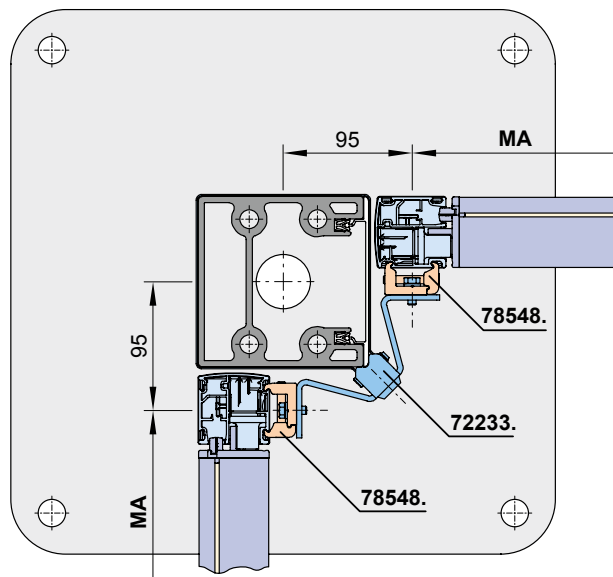
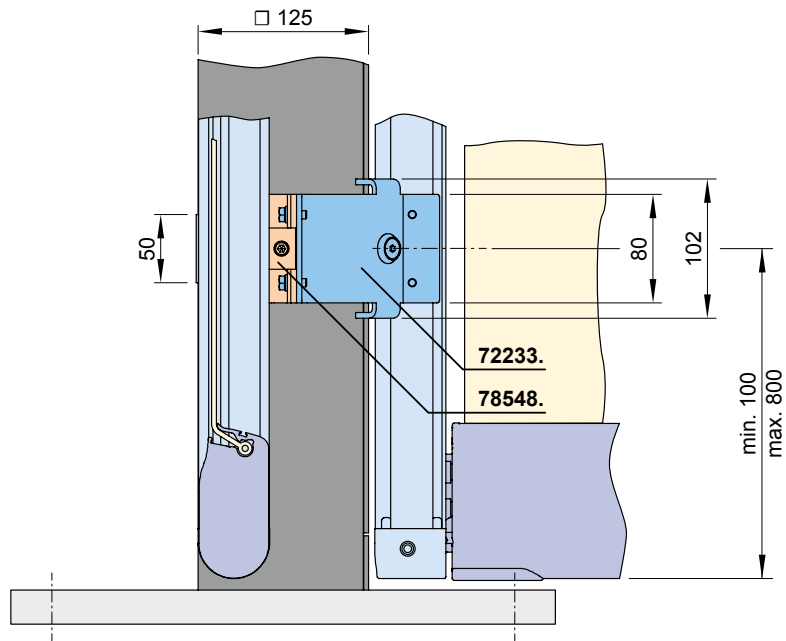
MA = order dimension = blind fixture width = fixture width

dimensions in mm

Dimension overview in combination with the markilux syncra

Fixture to a round post

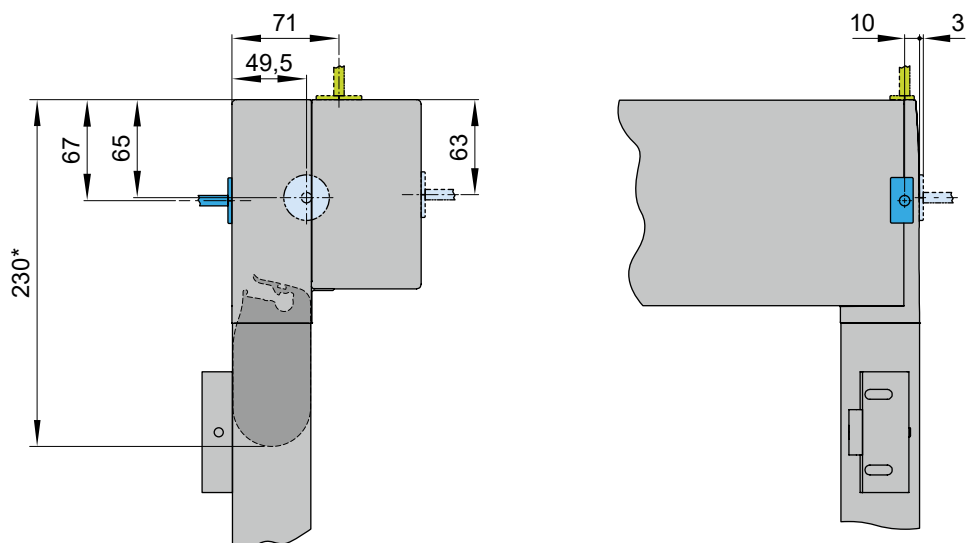
01
02
03
04
05
06
07
08
09
10
11
12
13
14
15
16
17
18
19



MA = order dimension = blind fixture width = fixture width

dimensions in mm

Motor cable exit point



- 01
- 02
- 03**
- 04
- 05
- 06
- 07
- 08
- 09
- 10
- 11
- 12
- 13
- 14
- 15
- 16
- 17
- 18
- 19

- * = unit height when retracted
- = standard
- = optional
- = optionally with surcharge

dimensions in mm

01

02

03

04

05

06

07

08

09

10

11

12

13

14

15

16

17

18

19