



Vertical cassette blind

## **markilux 710**

Compact cassette blind with cable guides.

# Product Characteristics

Wind resistance class 2  
Beaufort 5 → 7.5–10.4 m/s → 28–37 km/h → 17–23 mph



01  
02  
03  
04  
05  
06  
07  
**08**  
09  
10  
11  
12  
13  
14  
15  
16  
17  
18  
19

face fixture, standard gearbox operation

top fixture, motor operation <sup>1)</sup>

standard cable tensioner



1) Optional accessories

## Product Characteristics

### Description

- vertical blind with cable guides and gravity-fed cover tensioning system – for areas up to 17,5 m<sup>2</sup>

### Special features

- fully encompassing cassette that protects the cover perfectly
- compact cassette profile that lends an attractive appearance to the unit
- unobtrusive cable guides at the side
- option of manual operation from inside the building, drive shaft passes through the wall

### Dimensions

- single unit: 74–500 cm in width, maximum extension 350 cm
- maximum width × height: 500 mm × 350 cm
- intermediate sizes are available

### Roller tube and lateral bearings

- round roller tube Ø 63 mm with keyway, galvanised steel
- the roller tube bearing is made of stainless steel

### Awning profiles

- extruded aluminium, in façade quality, powder coated
- cassette profile in one piece, angular, height × depth 95 mm × 95 mm
- front profile round, Ø 32 mm
- guide cables in stainless steel, coated in transparent plastic, Ø 3 mm

### End caps

- the cassette end caps are made of high-quality plastic, powder coated
- the bottom profile end caps are made of high-quality plastic, dyed right through, RAL 7011 steel grey

### Fixture brackets

- extruded aluminium, powder coated
- cassette brackets: face fixture, top fixture, reveal fixture
- bracket assemblies for the guide cables: universal brackets with tensioning mechanism
- other accessories are available

01  
02  
03  
04  
05  
06  
07  
**08**  
09  
10  
11  
12  
13  
14  
15  
16  
17  
18  
19

01 **Frame colours**

02 markilux frame colours without surcharge

03 traffic white, RAL 9016



04 metallic aluminium, RAL 9006



05 grey brown, similar to RAL 8019

06 **08**09 off-white textured finish, 5233 <sup>1)</sup>10 stone grey metallic, 5215 <sup>1)</sup>11 anthracite metallic, 5204 <sup>1)</sup>12 havana brown textured finish, 5229 <sup>1)</sup>13 **Non-standard powder-coated finish**

14 Bespoke frame colours incur a surcharge – matt, metallic, finely textured and pearl finishes as well as other colour ranges (DB, Tiger etc.) on request. All frame colours are available at a surcharge with enhanced corrosion protection.

15 Colours may differ slightly from those depicted in both hue and finish.

16 **1)** textured finish

# Dimensions and configuration options

Single unit

|                  |     | Awning width |     |     |     |     |     |     |     | Minimum awning width |                  |                        |
|------------------|-----|--------------|-----|-----|-----|-----|-----|-----|-----|----------------------|------------------|------------------------|
|                  |     | 100          | 150 | 200 | 250 | 300 | 350 | 400 | 450 | 500                  | Hard-wired motor | Radio-controlled motor |
| Order dimensions |     | 50           | 101 | 151 | 201 | 251 | 301 | 351 | 401 | 451                  | 75               | 74                     |
|                  |     | 100          | 150 | 200 | 250 | 300 | 350 | 400 | 450 | 500                  |                  |                        |
| AH               | 150 |              |     |     |     |     |     |     |     |                      |                  |                        |
|                  | 200 |              |     |     |     |     |     |     |     |                      |                  |                        |
|                  | 250 |              |     |     |     |     |     |     |     |                      |                  |                        |
|                  | 300 |              |     |     |     |     |     |     |     |                      |                  |                        |
|                  | 350 |              |     |     |     |     |     |     |     |                      |                  |                        |

dimensions in cm

AH = unit height



= 2 brackets



= 3 brackets

### Operation

|                                     | standard | optional |
|-------------------------------------|----------|----------|
| crank handle, outside               | ✓        | —        |
| crank handle, at the rear           | —        | ✓        |
| crank handle, internal operation    | —        | ✓        |
| hard-wired motor                    | —        | ✓        |
| radio-controlled motor io, 868 MHz  | —        | ✓        |
| radio-controlled motor RTS, 433 MHz | —        | ✓        |

### Coupled awnings

not available

### Awning cover

| fabric pattern no.                 | standard | optional |
|------------------------------------|----------|----------|
| sunvas 300..–315..                 | ✓        | —        |
| sunsilk 324.. / 328.. / 369..      | ✓        | —        |
| sunbow 411..–427..                 | ✓        | —        |
| smart art 340..                    | —        | ✓        |
| perla FR 371.. / 372..             | —        | ✓        |
| perfotex 331.. / 332..             | ✓        | —        |
| transolair 338..                   | —        | ✓        |
| transolair (120 cm) 339..          | —        | ✓        |
| vuscreen Alu 317..                 | —        | ✓        |
| Soltis Perform 92 92–..            | —        | ✓        |
| glass fibre screen Serge 600 272.. | —        | ✓        |

### Optional accessories

automatic controls (light, wind, rain)

N.B. Important background information can be found in the chapter “Optional Accessories”.

01

**sunvas** Fabric pattern 309.. - 315..  
**transolair** 339..  
**perla FR** 371.. / 372..

**smart art**  
**sunsilk**

340..  
 324.. / 328.. / 369..

02

Fabric width 120 cm

03

|    |     | Awning width |     |     |     |     |     |     |     |     |
|----|-----|--------------|-----|-----|-----|-----|-----|-----|-----|-----|
|    |     | 100          | 150 | 200 | 250 | 300 | 350 | 400 | 450 | 500 |
| AH | 150 |              |     |     |     |     |     |     |     |     |
|    | 200 |              |     |     |     |     |     |     |     |     |
|    | 250 |              |     |     |     |     |     |     |     |     |
|    | 300 |              |     |     |     |     |     |     |     |     |
|    | 350 |              |     |     |     |     |     |     |     |     |

06

07

**sunvas** Fabric pattern 31008..<sup>1)</sup>, -09<sup>1)</sup>, -13, -16, -18, -25, -27, -28, -31, -36, -37, -57, -58, 31109, -14, -17  
 Fabric width 250 cm

08

|    |     | Awning width |     |     |     |     |     |     |     |     |
|----|-----|--------------|-----|-----|-----|-----|-----|-----|-----|-----|
|    |     | 100          | 150 | 200 | 250 | 300 | 350 | 400 | 450 | 500 |
| AH | 150 |              |     |     |     |     |     |     |     |     |
|    | 200 |              |     |     |     |     |     |     |     |     |
|    | 240 |              |     |     |     |     |     |     |     |     |
|    | 300 |              |     |     |     | 1)  | 1)  |     |     |     |
|    | 350 |              |     |     |     | 1)  | 1)  |     |     |     |

09

10

1) also available in fabric width 320 cm – then seamless

11

12

**sunbow** Fabric pattern 411.. - 427..  
 Fabric width 120 cm

13

|    |     | Awning width |     |     |     |     |     |     |     |     |
|----|-----|--------------|-----|-----|-----|-----|-----|-----|-----|-----|
|    |     | 100          | 150 | 200 | 250 | 300 | 350 | 400 | 450 | 500 |
| AH | 150 |              |     |     |     |     |     |     |     |     |
|    | 200 |              |     |     |     |     |     |     |     |     |
|    | 250 |              |     |     |     |     |     |     |     |     |
|    | 300 |              |     |     |     |     |     |     |     |     |
|    | 350 |              |     |     |     |     |     |     |     |     |

14

15

16

17

18

19

**Note:** The maximum width of the outer panels in tracfix systems with vertical panel joints is 35 cm

= vertical panel joints (panel width approx. 120 cm)
  = not available
  = seamless
  = horizontal panel joint(s)
 **AH** = unit height

dimensions in cm

**transolair** Fabric pattern 338..  
Fabric width 250 cm

|    |     | Awning width |     |     |     |     |     |     |     |     |
|----|-----|--------------|-----|-----|-----|-----|-----|-----|-----|-----|
|    |     | 100          | 150 | 200 | 250 | 300 | 350 | 400 | 450 | 500 |
| AH | 150 |              |     |     |     |     |     |     |     |     |
|    | 200 |              |     |     |     |     |     |     |     |     |
|    | 240 |              |     |     |     |     |     |     |     |     |
|    | 300 |              |     |     |     |     |     |     |     |     |
|    | 350 |              |     |     |     |     |     |     |     |     |

**perfortex** Fabric pattern 331.. / 332..  
Fabric width 120 cm

|    |     | Awning width |     |     |     |     |     |     |     |     |
|----|-----|--------------|-----|-----|-----|-----|-----|-----|-----|-----|
|    |     | 100          | 150 | 200 | 250 | 300 | 350 | 400 | 450 | 500 |
| AH | 150 |              |     |     |     |     |     |     |     |     |
|    | 200 |              |     |     |     |     |     |     |     |     |
|    | 250 |              |     |     |     |     |     |     |     |     |
|    | 300 |              |     |     |     |     |     |     |     |     |
|    | 350 |              |     |     |     |     |     |     |     |     |

**vuscreen Alu** Fabric pattern 317..  
Fabric width 252 cm

|    |     | Awning width |     |     |     |     |     |     |     |     |
|----|-----|--------------|-----|-----|-----|-----|-----|-----|-----|-----|
|    |     | 100          | 150 | 200 | 250 | 300 | 350 | 400 | 450 | 500 |
| AH | 150 |              |     |     |     |     |     |     |     |     |
|    | 200 |              |     |     |     |     |     |     |     |     |
|    | 250 |              |     |     |     |     |     |     |     |     |
|    | 300 |              |     |     |     |     |     |     |     |     |
|    | 350 |              |     |     |     |     |     |     |     |     |

**glass fibre screen Serge 600** Fabric pattern 272..  
Fabric width 250 cm

|    |     | Awning width |     |     |     |     |     |     |     |     |
|----|-----|--------------|-----|-----|-----|-----|-----|-----|-----|-----|
|    |     | 100          | 150 | 200 | 250 | 300 | 350 | 400 | 450 | 500 |
| AH | 150 |              |     |     |     |     |     |     |     |     |
|    | 200 |              |     |     |     |     |     |     |     |     |
|    | 250 |              |     |     |     |     |     |     |     |     |
|    | 300 |              |     |     |     |     |     |     |     |     |
|    | 350 |              |     |     |     |     |     |     |     |     |

**Note:** The maximum width of the outer panels in tracfix systems with vertical panel joints is 35 cm

= vertical panel joints (panel width approx. 120 cm)
  = seamless
  = not available
  = horizontal panel joint(s)
 AH = unit height

dimensions in cm

01 **Soltis Veozip (not available)** Fabric pattern 511..  
Fabric width 290 cm

|    |     | Awning width |     |     |     |     |     |     |     |     |
|----|-----|--------------|-----|-----|-----|-----|-----|-----|-----|-----|
|    |     | 100          | 150 | 185 | 250 | 300 | 350 | 400 | 450 | 500 |
| AH | 150 |              |     |     |     |     |     |     |     |     |
|    | 200 |              |     |     |     |     |     |     |     |     |
|    | 250 |              |     |     |     |     |     |     |     |     |
|    | 300 |              |     |     |     |     |     |     |     |     |
|    | 350 |              |     |     |     |     |     |     |     |     |

05

06 **Soltis Perform 92** Fabric pattern. 92-..  
Fabric width 177 cm

|    |     | Awning width |     |     |     |     |     |     |     |     |
|----|-----|--------------|-----|-----|-----|-----|-----|-----|-----|-----|
|    |     | 100          | 150 | 185 | 250 | 300 | 350 | 400 | 450 | 500 |
| AH | 150 |              |     |     |     |     |     |     |     |     |
|    | 172 |              |     |     |     |     |     |     |     |     |
|    | 250 |              |     |     |     |     |     |     |     |     |
|    | 300 |              |     |     |     |     |     |     |     |     |
|    | 350 |              |     |     |     |     |     |     |     |     |

08

09

10

11

12

13

14

15

16

17

18

19

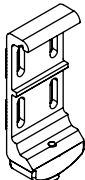
**Note:** The maximum width of the outer panels in tracfix systems with vertical panel joints is 35 cm

= vertical panel joints (panel width approx. 120 cm)
  = seamless
  = not available
  = horizontal panel joint(s)
 AH = unit height

dimensions in cm

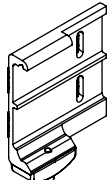


# Fixtures, fittings and accessories



face fixture bracket  
50 mm

**78797.**



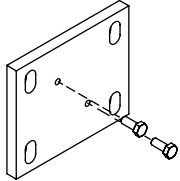
face fixture bracket  
with fishplate for lateral  
fixture, right  
**N.B!** not for the  
operation side:  
• interior operation  
• operation from the  
rear

**78920.**



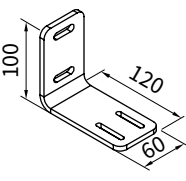
face fixture bracket  
with fishplate for lateral  
fixture, left  
**N.B!** not for the  
operation side:  
• interior operation  
• operation from the  
rear

**78921.**



spreader plate  
120 × 100 × 10 mm

**78982.**



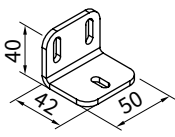
additional angled  
bracket for reveal  
fixture  
100 × 120 × 60 mm  
please order additional  
accessories 792931!

**77220.**



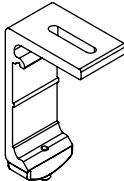
accessories  
for two angled brackets  
77220. or 78565.

**792931**



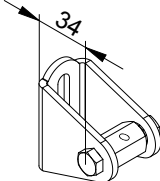
additional angled  
bracket for reveal fix-  
ture of the guide cable  
40 × 42 × 50 mm  
please order additional  
accessories 792931!

**78565.**



top fixture bracket  
50 mm

**78859.**



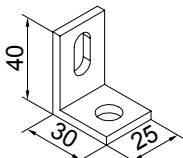
accessories  
for 2 tensioning cables

**78761.**



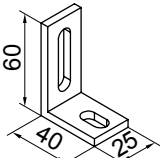
accessories  
for one angled bracket  
70930., 70940. or 79050

**799141.**



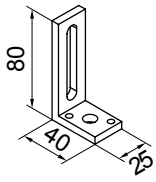
angled bracket  
40 × 30 × 25 mm  
please order additional  
accessories 799141!

**70950.**



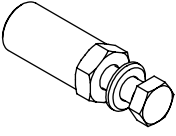
angled bracket  
60 × 40 × 25 mm  
please order additional  
accessories 799141!

**70940.**



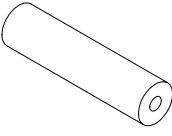
angled bracket  
80 × 40 × 25 mm  
please order additional  
accessories 799141!

**70930.**



reduction bolt  
M 10 → M 6 / SW 13  
30 mm length  
pack 10 pcs

**8440381**

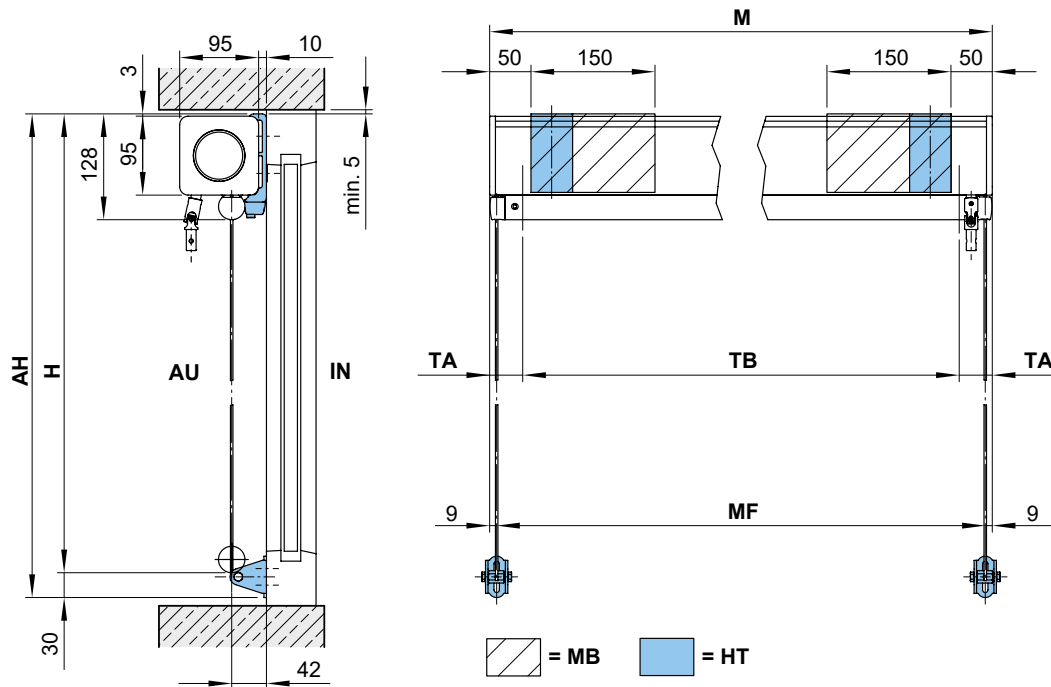


stand-off fixing tube  
30 × 10 × 1000 mm  
**N.B.!**  
Stack to a max. height  
of 120 mm

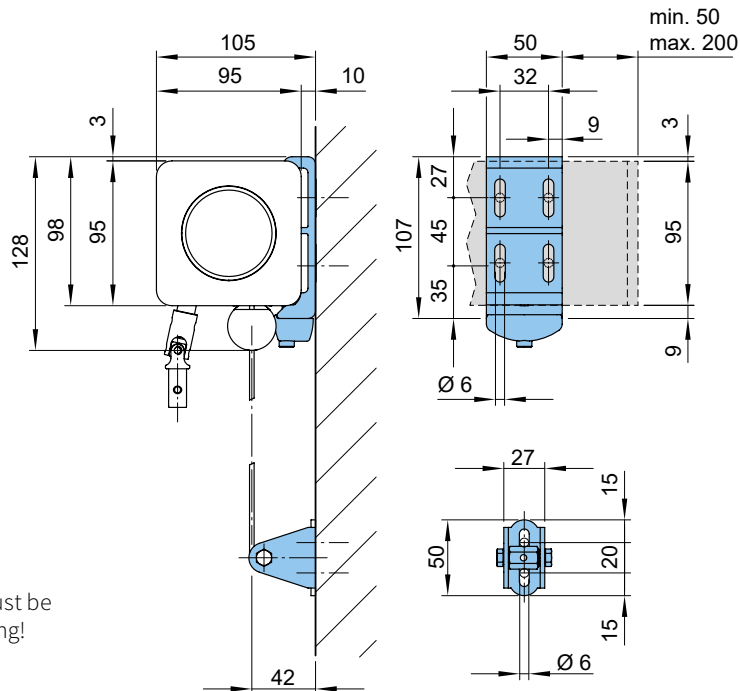
**701668**

01  
02  
03  
04  
05  
06  
07  
**08**  
09  
10  
11  
12  
13  
14  
15  
16  
17  
18  
19

# Overview of dimensions



## Face fixture



**N. B.:** If awnings are installed directly next to one another, a minimum distance of 25 mm must be maintained between each awning!

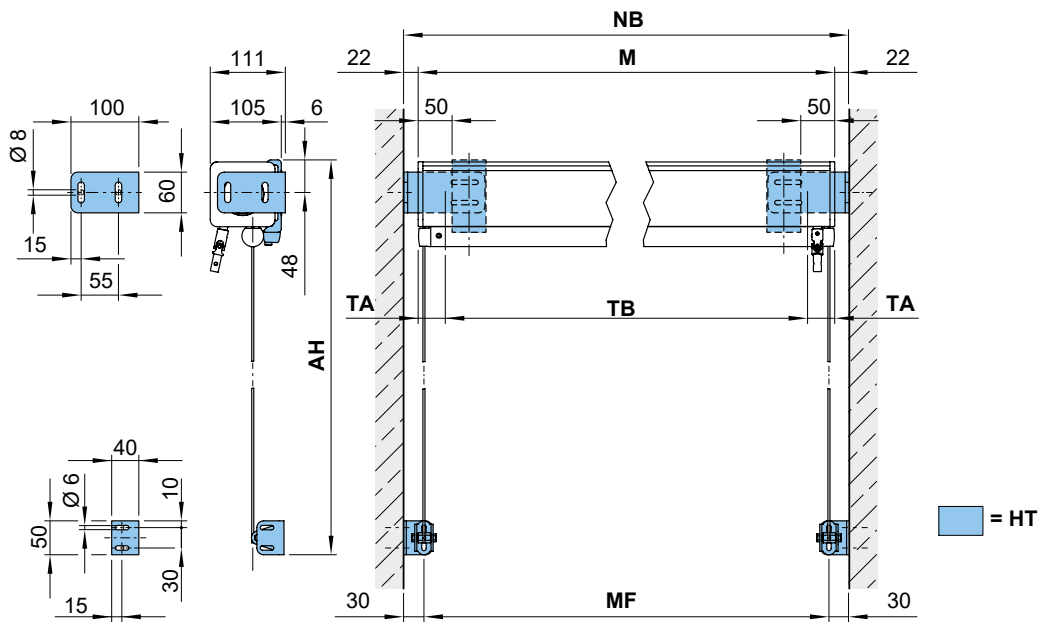
- AH** = unit height
- AU** = exterior
- H** = drop
- HT** = bracket
- IN** = interior

- M** = awning width
- MB** = bracket fixture range
- MF** = centre of the cable guide, centre of the stainless steel guide rod, fixture width
- TA** = cover width deductions (operation side = 50 mm, bearing side = 30 mm)
- TB** = cover width

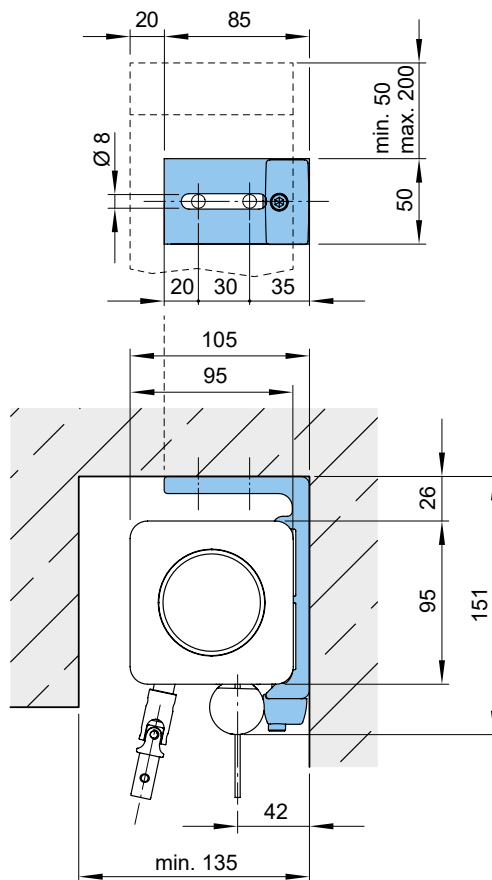
dimensions in mm

# Reveal fixture

Manual operation or motor drive



Reveal fixture in a top window well, manual operation



AH = unit height  
HT = bracket  
M = awning width

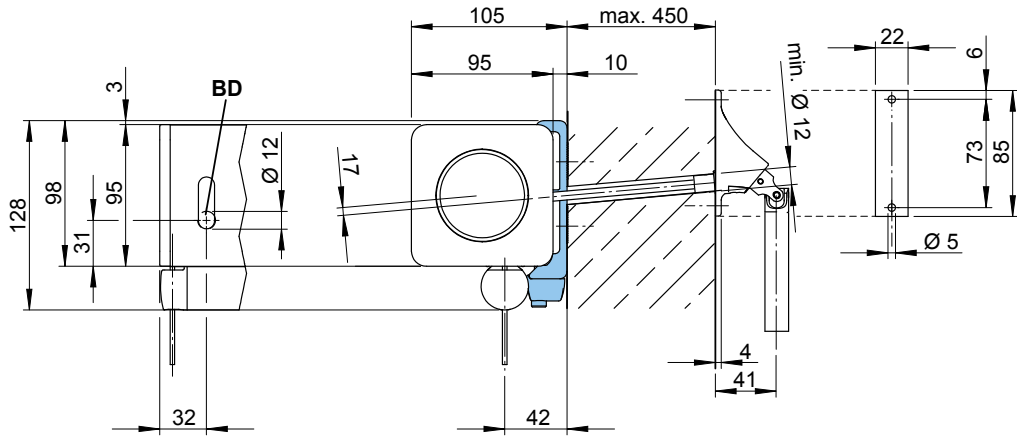
MF = centre of the cable guide, centre of the stainless steel guide rod, fixture width  
NB = reveal width  
TA = cover width deductions (operation side = 50 mm, bearing side = 30 mm)  
TB = cover width

dimensions in mm

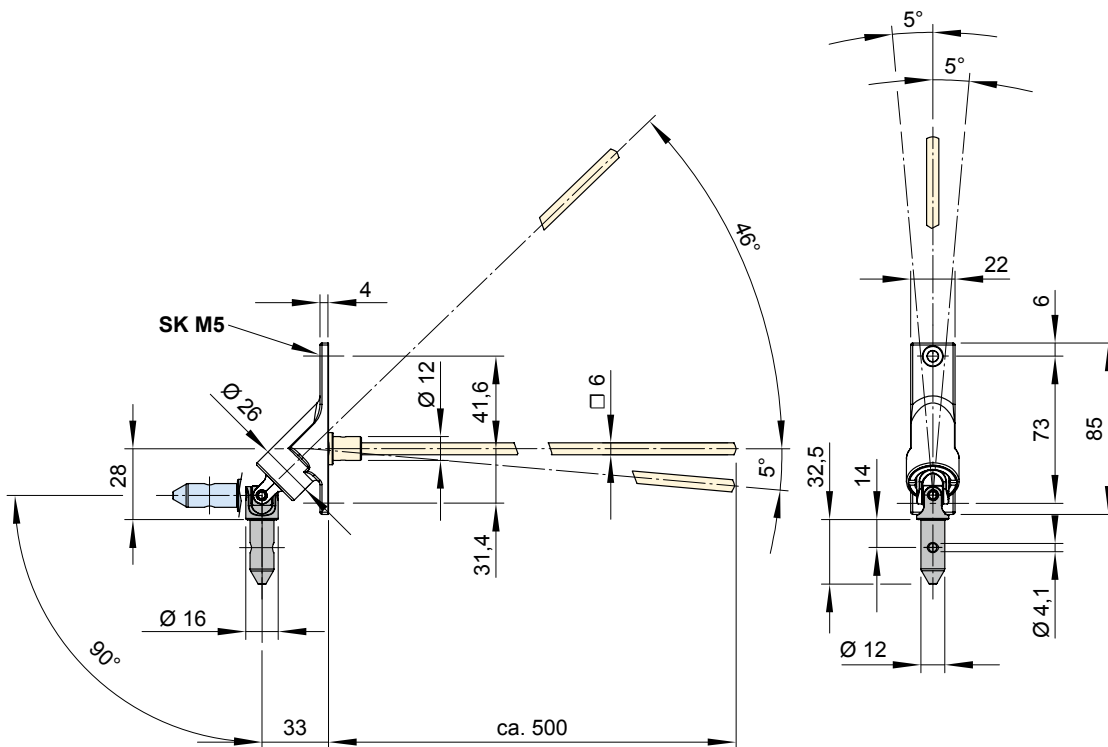
01  
02  
03  
04  
05  
06  
07  
08  
09  
10  
11  
12  
13  
14  
15  
16  
17  
18  
19

# Face fixture

Manual operation with interior operation



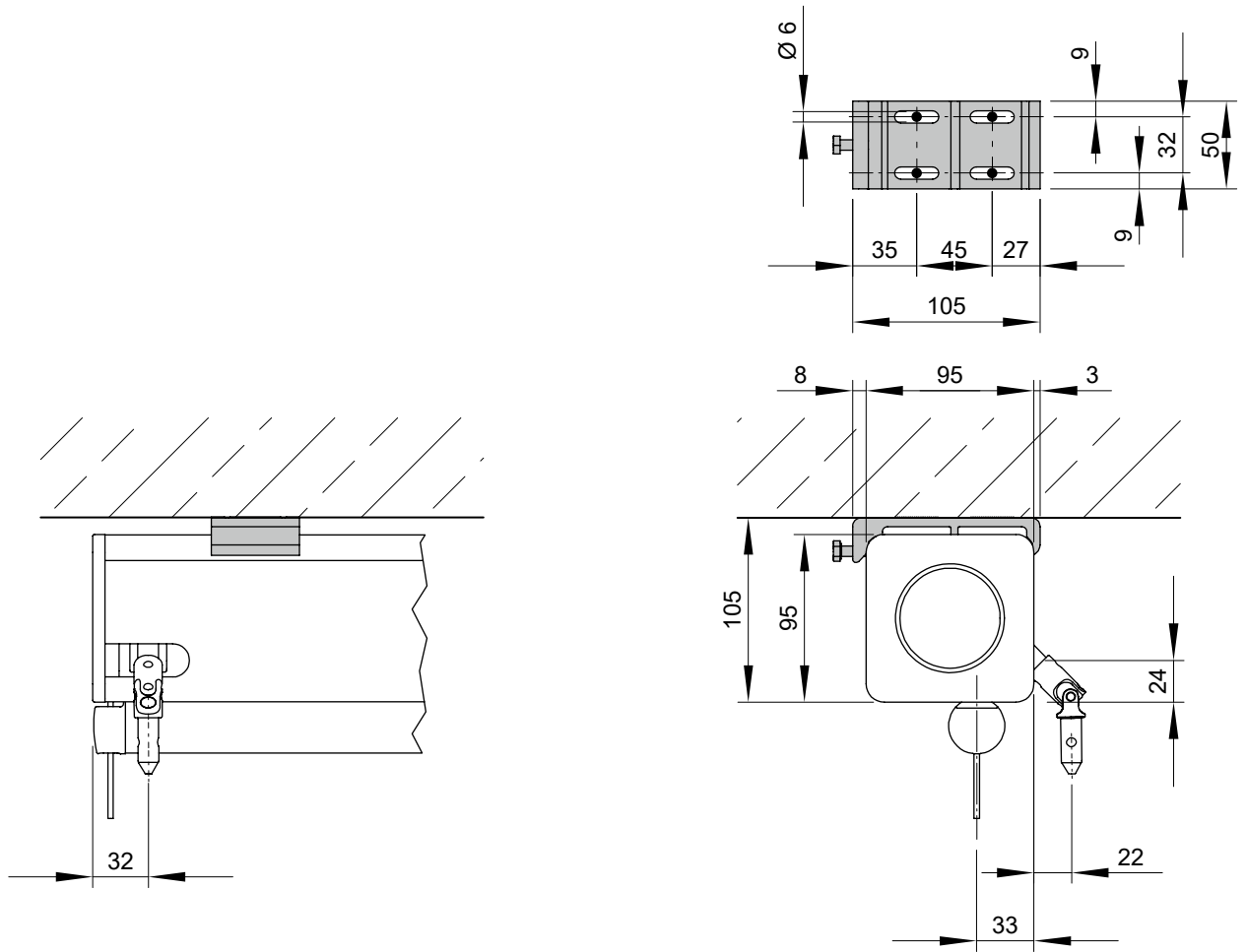
Handle for interior operation



- BD = horizontal drill hole
- SK = countersunk screw hole

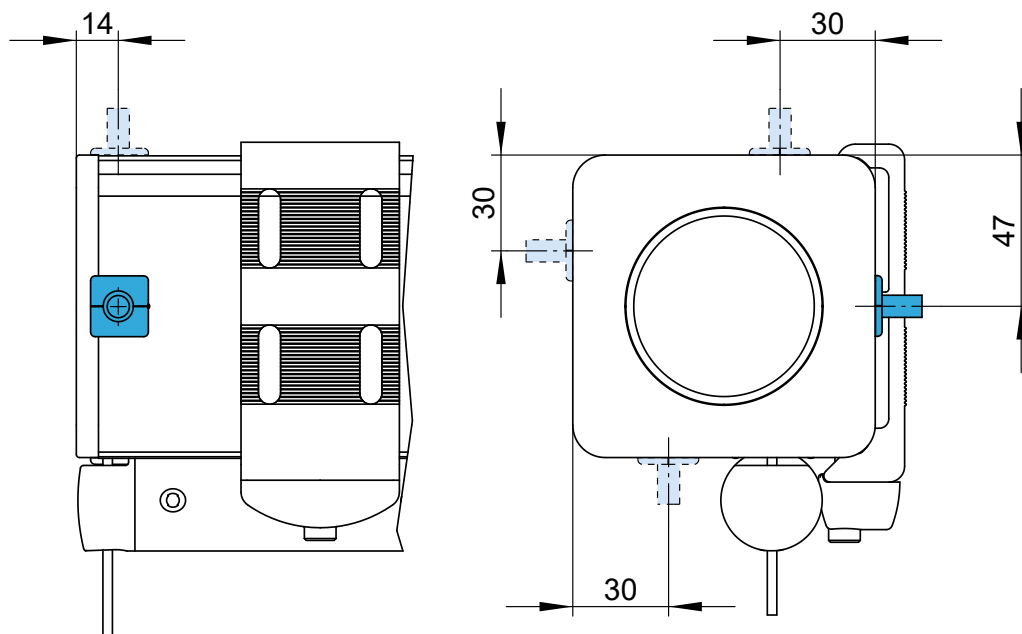
dimensions in mm

### Manual operation from the rear



01  
02  
03  
04  
05  
06  
07  
**08**  
09  
10  
11  
12  
13  
14  
15  
16  
17  
18  
19

### Motor cable exit point



- = standard
- = optional

Dimensions in mm

01

02

03

04

05

06

07

**08**

09

10

11

12

13

14

15

16

17

18

19