



Vertical cassette blind

markilux 620 tracfix

Slender and stable in wind with tracfix cover guidance system.

Product characteristics

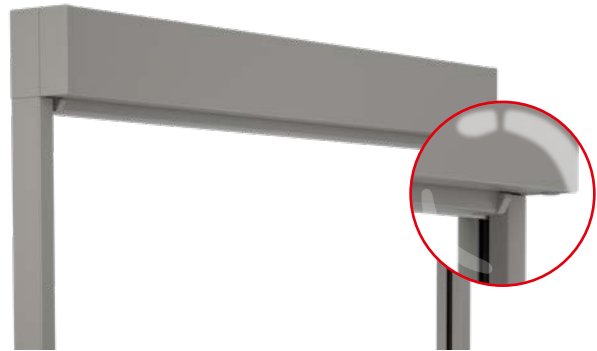
Wind resistance class 3
Beaufort 6 → 38–48 km/h → 10.5–13.4 m/s → 24–30 mph

01
02
03
04
05
06
07
08
09
10
11
12
13
14
15
16
17
18
19

lateral view



unit when closed



reveal fixture

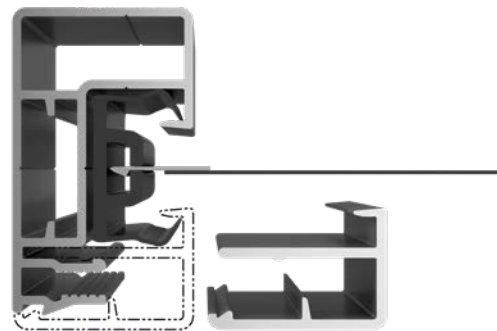
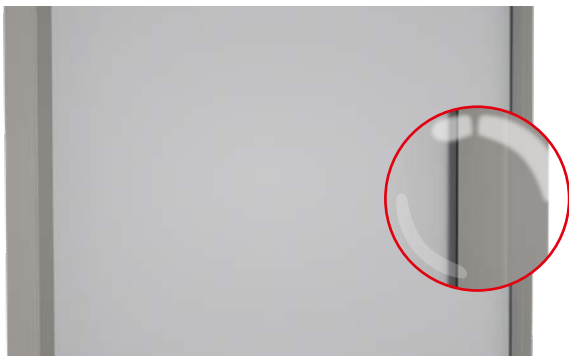


when extended, the front profile finishes flush with the end of the guide tracks



tracfix cover guidance system – leaves no gap between the cover and the guide track

cover guidance system in the tracfix profile



section of guide rail with tracfix profile

radio-controlled motor io sundrive with radio antenna and solar module (868 MHz) ¹⁾



1) Optional accessories

Product characteristics

Description

- slender, compact vertical cassette blind with track guidance and gravity-fed cover tensioning system – for areas up to 12 m².

Special features

- fully encompassing cassette that protects the cover perfectly
- attractive appearance without visible screws
- supplied as standard with a hard-wired motor
- optionally operated by means of a solar panel-powered radio-controlled motor (433 MHz / 868 MHz) – RTS / io (radio antenna) sundrive with solar module
- with tracfix system, the continuous lateral cover guidance system that leaves no gap between the cover and guide tracks – gives improved wind stability and a cleaner appearance
- good blind closure guaranteed by virtue of the small protuberances on the bottom profile end caps that close firmly against the cassette
- fixture directly through the guide tracks – the cassette is fitted tight against the wall

Dimensions

- single unit: 61–400 cm wide, maximum unit height 400 cm (depending on the width)
- maximum width × height: 300 × 400 cm / 400 × 300 cm
- intermediate sizes are available

Roller tube and lateral bearings

- round roller tube Ø 63 mm with keyway, galvanised steel
- the roller tube bearing is made of stainless steel

Awning profiles

- extruded aluminium, in façade quality, powder coated
- cassette profile in one piece, angular, height × depth 110 mm × 95 mm
- angled guide rails in two pieces, width × depth 27 mm × 48 mm
- front profile angular, height × depth 32 mm × 40 mm

End caps

- the cassette end caps made of die-cast aluminium, powder coated
- end cap for guide track made of high-quality plastic

Fixture brackets

- self-supporting cassette on guide tracks
- without brackets, fixture directly through the guide tracks

01 **Frame colours**02 **markilux frame colours without surcharge**

03 traffic white, RAL 9016



04 metallic aluminium, RAL 9006



05 grey brown, similar to RAL 8019

06 **07**08 off-white textured finish, 5233 ¹⁾09 stone grey metallic, 5215 ¹⁾10 anthracite metallic, 5204 ¹⁾11 havana brown textured finish, 5229 ¹⁾12 **Non-standard powder-coated finish**

Bespoke frame colours incur a surcharge – matt, metallic, finely textured and pearl finishes as well as other colour ranges (DB, Tiger etc.) on request. All frame colours are available at a surcharge with enhanced corrosion protection.

Colours may differ slightly from those depicted in both hue and finish.

13 **1)** textured finish

Dimensions and configuration options

Single unit

		Awning width						Minimum blind width				
		100	150	200	250	300	350	400	Hard-wired motor	Radio-controlled motor		
Order dimensions		61 ²⁾	101 ³⁾	151	201	251	301	351	64	77 ^{2) 3)}		
		100	150	200	250	300	350	400				
AH	120 ¹⁾											
	160											
	200											
	250											
	300											
	350							—	—			
400							—	—				

dimensions in cm

- 1) = minimum unit height 65 cm
 - 2) = minimum width 61 cm in the case of a motor with sundrive and E-box
 - 3) = minimum width 138 cm in the case of a motor with sundrive without E-box
- AH = unit height

- = optional with sundrive motor with sundrive and E-box
- = optional with sundrive motor with sundrive without E-box

Operation

	standard	optional
crank handle, outside	—	—
crank handle, at the rear	—	—
crank handle, internal operation	—	—
hard-wired motor	✓	—
radio-controlled motor io, 868 MHz	—	✓
radio-controlled motor RTS, 433 MHz	—	✓
radio-controlled motor, 433 MHz, RTS with sundrive	—	✓
radio-controlled motor, 433 MHz, RTS with sundrive, with E-box	—	✓

Coupled awnings

not available

Awning cover

fabric pattern no.	standard	optional
sunvas 300..–315..	✓	—
sunsilk 324.. / 328.. / 369..	✓	—
sunbow 411..–427..	✓	—
smart art 340..	—	—
perla FR 371.. / 372..	—	✓
perfortex 331.. / 332..	✓	—
transolair 338..	—	✓
transolair (120 cm) 339..	—	✓
vuscreen Alu 317..	—	✓
Soltis Perform 92 92–..	—	✓
glass fibre screen Serge 600 272..	—	✓
Soltis Veozip 511..	—	✓

Optional accessories

automatic controls (light, wind, rain)

N.B. Important background information can be found in the chapter “Optional Accessories”

01
02
03
04
05
06
07
08
09
10
11
12
13
14
15
16
17
18
19

sunvas Fabric pattern 309.. – 315.. **smart art** 340..
transolair 339..
perla FR 371.. / 372..
sun silk 324.. / 328.. / 369..

Fabric width 120 cm

		Awning width					
		150	200	250	300	350	400
AH	150						
	200						
	250						
	300						
	350						
	400						

sunvas Fabric pattern 31008..¹⁾, -09¹⁾, -13, -16, -18, -25, -27, -28, -31, -36, -37, -57, -58, 31109, -14, -17

Fabric width 250 cm

		Awning width					
		150	200	250	300	350	400
AH	150						
	200						
	240						
	300				1)		
	350				1)		
	400				1)		

1) also available in fabric width 320 cm – then seamless

sunbow Fabric pattern 411.. - 427..

Fabric width 120 cm

		Awning width					
		150	200	250	300	350	400
AH	150						
	200						
	250						
	300						
	350						
	400						

Note: The maximum width of the outer panels in tracfix systems with vertical panel joints is 35 cm

= vertical panel joints (panel width approx. 120 cm)
 = seamless
 = not available
 = horizontal panel joint(s)
 AH = unit height

dimensions in cm

transolair Fabric pattern 338..
Fabric width 250 cm

		Awning width					
		150	200	250	300	350	400
AH	150						
	200						
	240						
	300						
	350						
	400						

perfortex Fabric pattern 331.. / 332..
Fabric width 120 cm

		Awning width					
		150	200	250	300	350	400
AH	150						
	200						
	250						
	300						
	350						
	400						

vuscreen Alu Fabric pattern 317..
Fabric width 252 cm

		Awning width					
		150	200	250	300	350	400
AH	150						
	200						
	250						
	300						
	350						
	400						

glass fibre screen Serge 600 Fabric pattern 272..
Fabric width 250 cm

		Awning width					
		150	200	250	300	350	400
AH	150						
	200						
	240						
	300						
	350						
	400						

Note: The maximum width of the outer panels in tracfix systems with vertical panel joints is 35 cm

= vertical panel joints (panel width approx. 120 cm)
 = not available
 = seamless
 = horizontal panel joint(s)
 AH = unit height

dimensions in cm

01
02
03
04
05
06
07
08
09
10
11
12
13
14
15
16
17
18
19

Soltis Veozip Fabric pattern 511..
Fabric width 290 cm

		Awning width					
		150	200	250	300	350	400
AH	150						
	200						
	250						
	300						
	350						
	400						

Soltis Perform 92 Fabric pattern. 92-..
Fabric width 177 cm

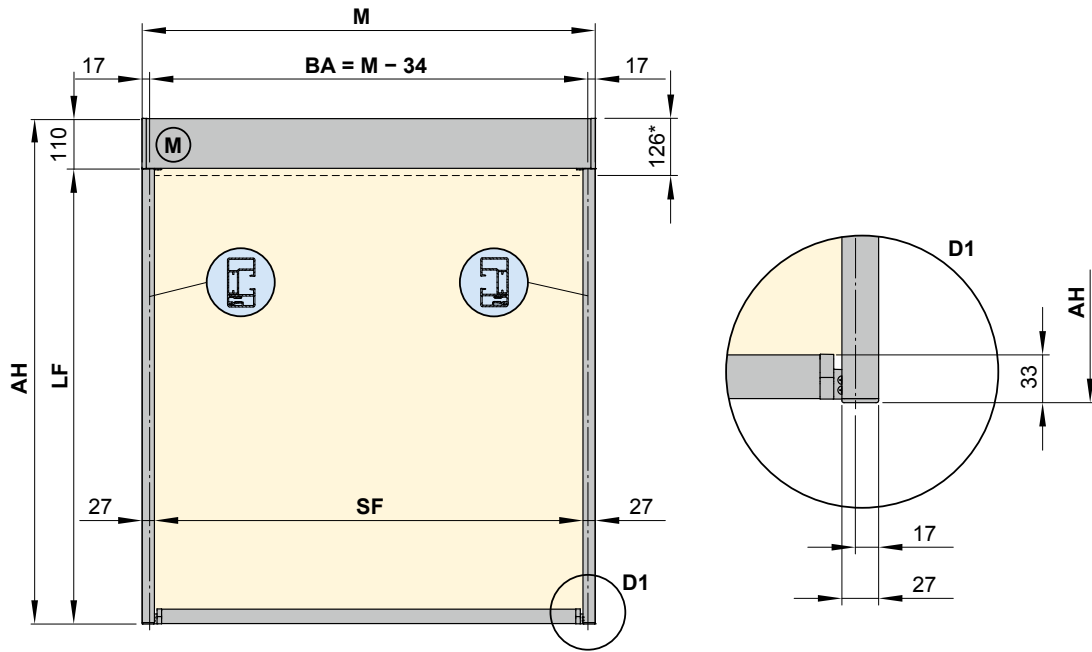
		Awning width					
		150	200	250	300	350	400
AH	150						
	170						
	250						
	300						
	350						
	400						

Note: The maximum width of the outer panels in tracfix systems with vertical panel joints is 35 cm
 = vertical panel joints (panel width approx. 120 cm)
 = seamless
 = horizontal panel joint(s)
 = not available
AH = unit height

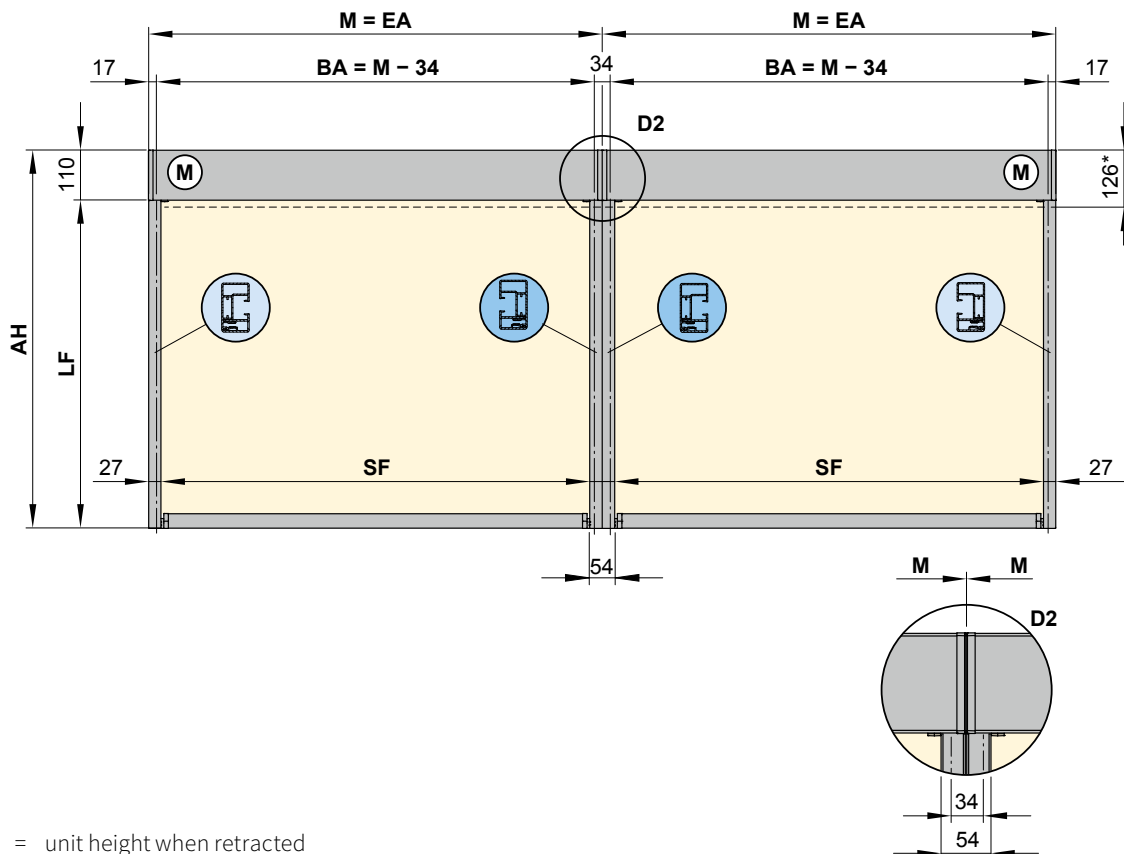
dimensions in cm

Overview of dimensions

Single unit



Two single units



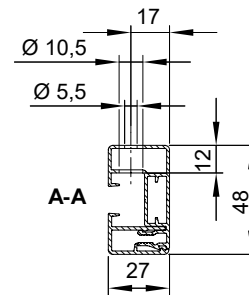
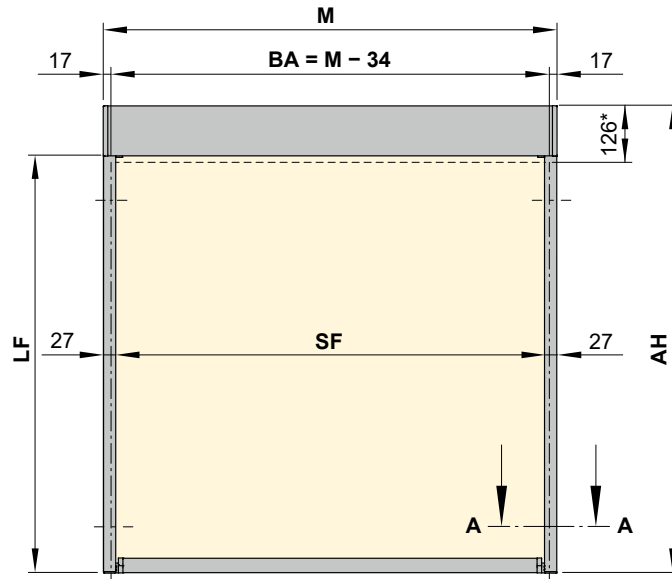
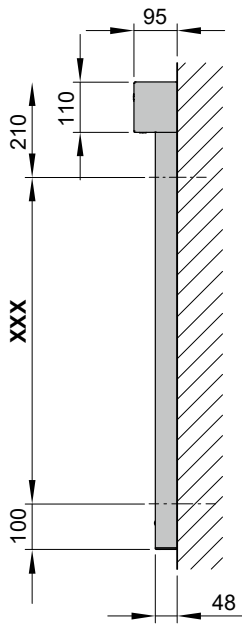
- * = unit height when retracted
- AH = **order dimension** = unit height
- BA = width between fixture points (fixture type 8)
- EA = single unit
- LF = length of the guide rail
- M = **order dimension** = awning width
- Ⓜ = motor
- SF = visible cover

dimensions in mm

01
02
03
04
05
06
07
08
09
10
11
12
13
14
15
16
17
18
19

Dimension overview fixture combination 8

Face fixture



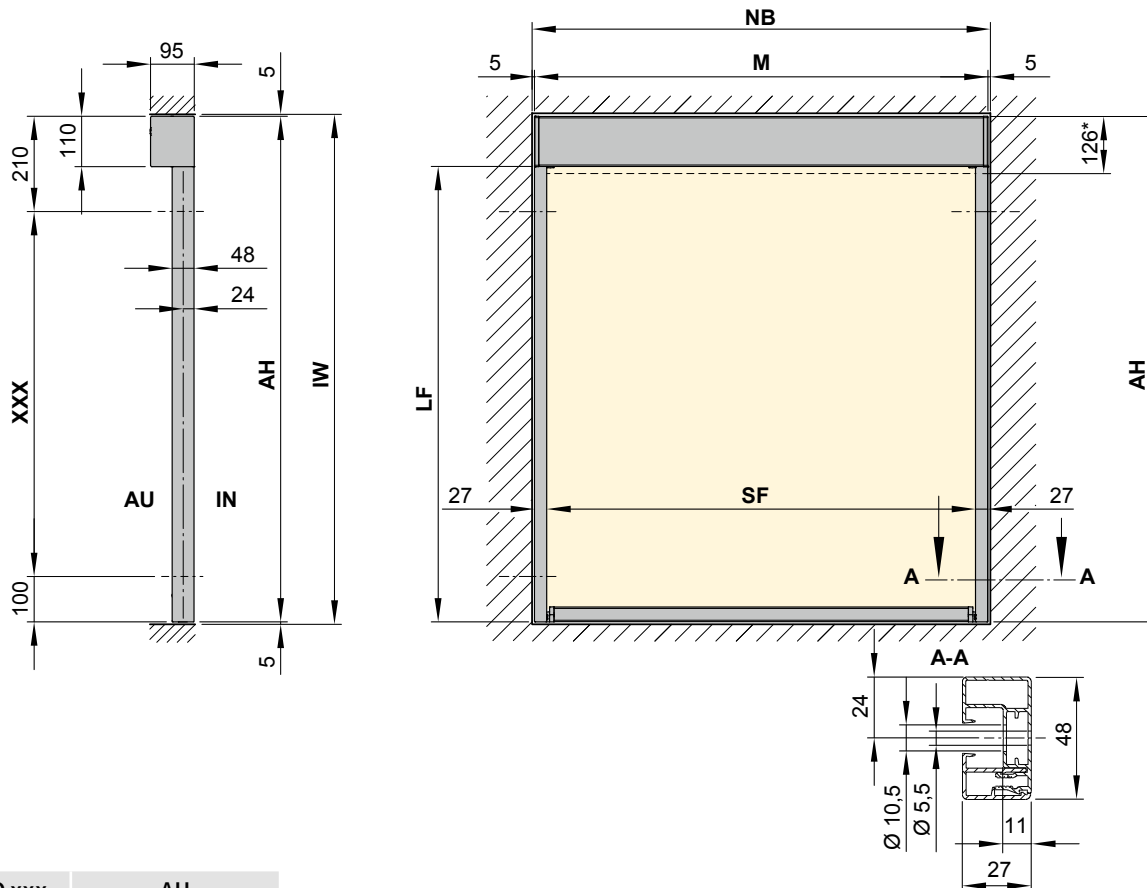
ABO xxx	AH
2	1-1200 mm
3	1201-2200 mm
4	2201-3200 mm
5	3201-4000 mm

- * = unit height when retracted
- AH** = **order dimension** = unit height
- ABO** = number of drill holes in the range xxx
- BA** = width between fixture points
- LF** = length of the guide rail
- M** = **order dimension** = awning width
- SF** = visible cover

dimensions in mm

Dimension overview fixture combination 9

Reveal fixture



ABO xxx	AH
2	1-1200 mm
3	1201-2200 mm
4	2201-3200 mm
5	3201-4000 mm

- * = unit height when retracted
- AH** = **order dimension** = unit height = IW - 10 mm
- AU** = exterior
- ABO** = number of drill holes in the range xxx
- IN** = interior
- IW** = height of opening
- LF** = length of the guide rail
- M** = **order dimension** = awning width
- NB** = reveal width
- SF** = visible cover

dimensions in mm

01
02
03
04
05
06
07
08
09
10
11
12
13
14
15
16
17
18
19

01 **Reveal fixture in a top window well**

02

03

04

05

06

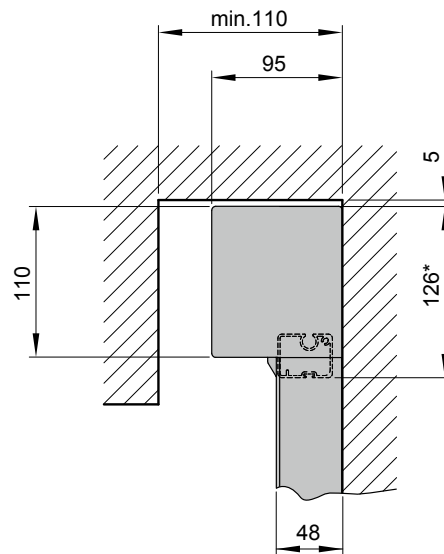
07

08

09

10

11



12 **Motor cable exit point**

13

14

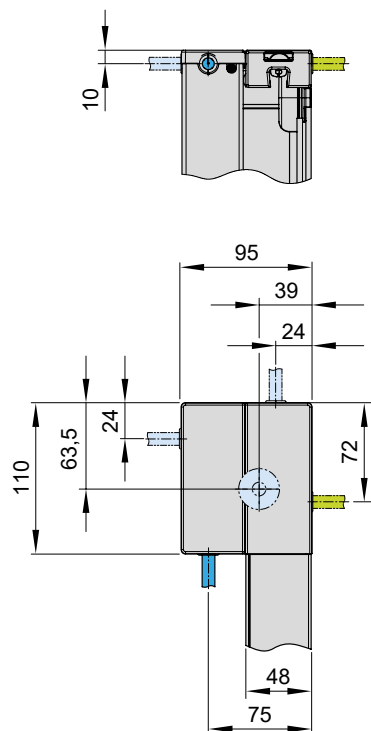
15

16

17

18

19

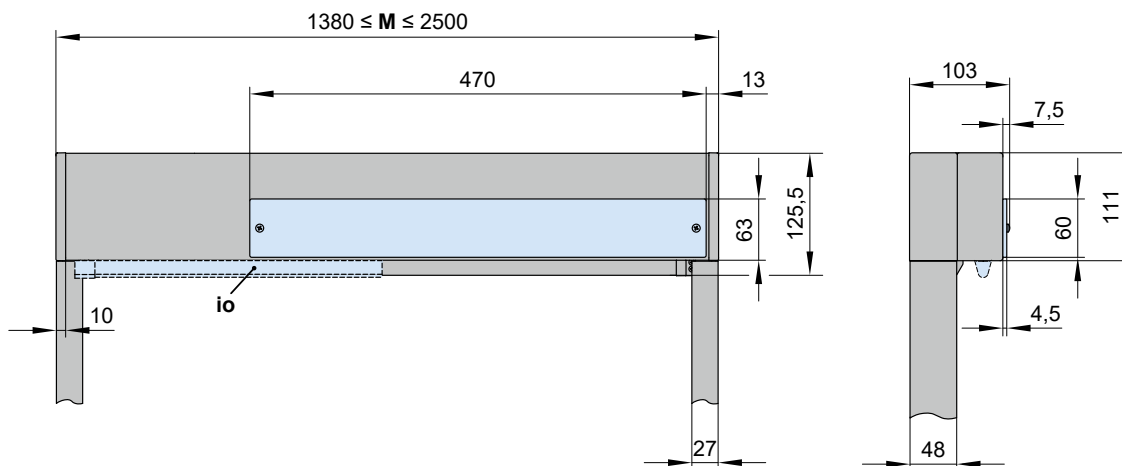


- * = unit height when retracted
- = standard
- = optional
- = optionally with surcharge

dimensions in mm

Overview of unit and fitting dimensions, sundrive operation

Solar module in the cassette



The sundrive solar module is either

- integrated on the bearing side in the cassette (for awning size width 138–250 cm × maximum height 300 cm)
- connected on the motor side in the external E-box housing (for awning size width 60–250 cm × maximum height 300 cm) in order to be able to make use of an optimal incidence of sunlight with flexible installation or so that awnings which are not so wide can be powered using solar energy.

You can choose which side the motor is fitted; this, however, also determines the position of the solar panel and / or the E-box. The solar panel (without E-box) is always on the bearing side and the E-box is always installed on the same side as the motor.

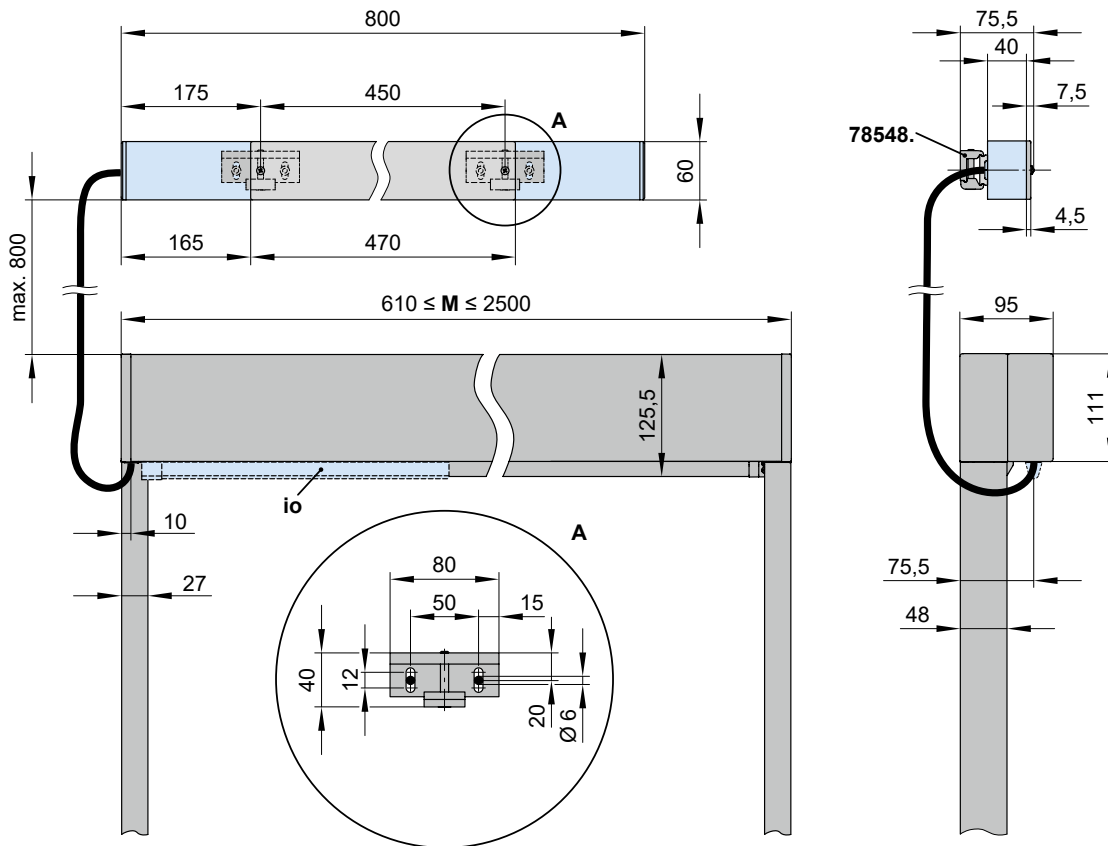
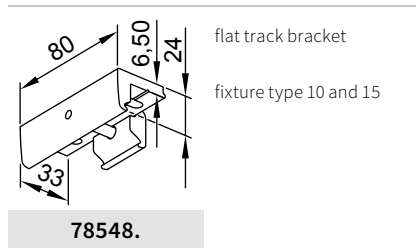
Note: A radio antenna (see illustration) is integrated in the case of radio-controlled motor io sundrive operation.

M = order dimension = awning width

dimensions in mm

Overview of unit and fitting dimensions, sundrive operation

Solar module in the E-box

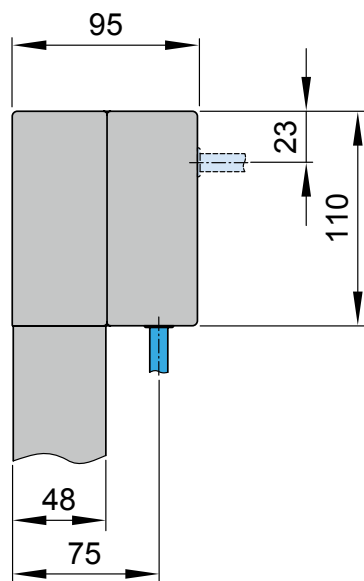


Note: A radio antenna (see illustration) is integrated with the type of operation radio-controlled motor io sundrive.

M = Order dimension = overall awning width
78548. = flat track bracket

Dimensions in mm

Motor cable exit point for sundrive with E-box



- = standard
- = optional

Technical data solar module

operating voltage	max. 21 V DC
current	(max. 196 mA)
power output	3,2 W
protection class	IP 44

Technical data radio-controlled motor RTS (433 MHz)

operating voltage	12 V DC
power output	32 W
protection class	IP 44

Technical data radio-controlled motor io (868 MHz)

operating voltage	12 V DC
power output	30 W
protection class	IP 44

01
02
03
04
05
06
07
08
09
10
11
12
13
14
15
16
17
18
19

01

02

03

04

05

06

07

08

09

10

11

12

13

14

15

16

17

18

19