



Vertical cassette roller blind

markilux 620 tracfix

Slender yet stable in windy conditions with tracfix cover guidance system.



german
brand
award
20
gold

[markilux.com](https://www.markilux.com)

markilux
safe timeless beautiful

Product properties

Wind resistance class 3

Beaufort 6 → 38–48 km/h → 10.5–13.4 m/s → 24–30 mph

01
02
03
04
05
06
07
08
09
10
11
12
13
14
15
16
17
18
19
20

side view



unit when closed



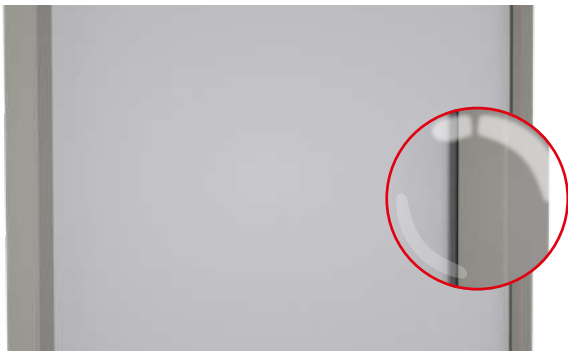
reveal fixture



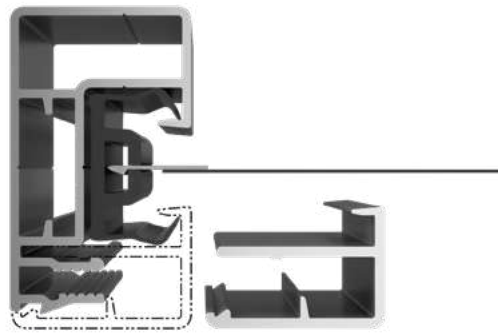
front profile finishes flush with the end of the guide rails



with tracfix system, the continuous lateral cover guidance system that leaves no gap between the cover and guide rails



cover guidance system in the tracfix profile



section of guide rail with tracfix profile



radio-controlled motor RTS sundrive with solar module (433 MHz) ¹⁾



1) optional configuration

Product properties

Description

- slender, compact vertical cassette roller blind with tracfix guide rails and gravity-fed cover tensioning system – for areas up to 12 m².

Special features

- fully encompassing cassette that protects the cover perfectly
- attractive appearance without visible screws
- supplied as standard with a hard-wired motor
- with tracfix system, the continuous lateral cover guidance system that leaves no gap between the cover and guide rails – gives improved wind stability and a smarter appearance
- good blind closure guaranteed by virtue of the small protuberances on the bottom profile end caps that close firmly against the cassette
- fixture directly through the guide rails – the cassette can be placed right against the wall

Dimensions

- single unit: 61 cm – 400 cm in width, maximum height 400 cm (depending on the width)
- maximum width × height: 300 cm × 400 cm / 400 cm × 300 cm
- intermediate sizes are available

Roller tube and lateral bearings

- round roller tube Ø 63 mm with keyway, galvanised steel
- the roller tube bearing is made of stainless steel

Blind profiles

- extruded aluminium, in façade quality, powder coated
- cassette profile in one piece, oblong, height × depth 110 mm × 95 mm
- guide rails in two pieces, width × depth 27 mm × 48 mm
- bottom profile angular, height × depth 32 mm × 40 mm

Side caps

- the cassette end caps are made of die-cast aluminium, powder coated
- the bottom profile end caps are made of high-quality plastic, powder coated

Fixture brackets

- self-supporting cassette attached to the top of the guide rails
- without brackets, fixture directly through the guide rails, face or reveal fixture

01 **Frame colours**02 **markilux frame colours without surcharge**

03 traffic white RAL 9016

04 metallic aluminium RAL 9006

05 grey brown, similar to RAL 8019

12 off-white textured finish, 5233 ¹⁾13 stone grey metallic, 5215 ¹⁾14 anthracite metallic, 5204 ¹⁾21 Havana brown textured finish, 5229 ¹⁾**Non-standard powder-coated finish**

Bespoke frame colours at a surcharge – matt, metallic and pearl finishes as well as other colour ranges (DB, Tiger etc.) on request. All frame colours are available at a surcharge with enhanced corrosion protection.

1) textured finish

Colours may differ slightly from those depicted in both hue and finish.

Dimensions and configuration options

Single unit

		Overall blind width						Minimum blind width		
		100	150	200	250	300	350	400	Hard-wired motor	Radio-controlled motor
Order dimensions		61 ²⁾ 100	101 ³⁾ 150	151 200	201 250	251 300	301 350	351 400		
AH	120 ¹⁾								64	77 ²⁾³⁾
	160									
	200									
	250									
	300									
	350						—	—		
	400						—	—		

dimensions in cm

1) = minimum unit height 65 cm

2) = minimum width 61 cm in the case of a motor with sundrive and E-box

3) = minimum width 138 cm in the case of motor with sundrive without E-box

 = optional with sundrive motor and E-box

 = optional with sundrive motor without E-box

AH = unit height

Operation

	standard	optional
crank handle	—	—
crank handle, operation from the rear	—	—
crank handle, operation from inside the building	—	—
hard-wired motor	✓	—
radio-controlled motor io, 868 MHz	—	✓
radio-controlled motor RTS, 433 MHz	—	✓
radio-controlled motor RTS, 433 MHz with sundrive	—	✓

Coupled Blind

not available

Optional accessories

automatic controls (light, wind, rain)
--

N.B! Important background information can be found in the chapter "Optional Accessories".

Blind cover

	fabric range no.	standard	optional
sunvas	301.. / 309..-315..	✓	—
sunsilk	324.. / 325.. / 328.. / 369..	✓	—
perfortex	331.. / 332..	✓	—
sunvas (250 cm)	31008, -09, -13, -16, -18, -25, -27, -28, -31, -36, -37, -57, -58, 31109, -14, -17	✓	—
transolair	338..	—	✓
transolair (120 cm)	339..	—	✓
sunvas (320 cm)	31008, -09	✓	—
vuscreen Alu	317..	—	✓
Fibreglass Screen Fabrics	272..	—	✓
Soltis Perform 92	92-20..	—	✓
perla	370..	—	—
perla FR	374.. / 375..	—	—

01 **Solar protection fabrics**

Fabric pattern series | Their limitations and manufacture

02 **sunvas / transolair 120 cm**

Fabric width 120 cm Fabric pattern nos. 301.. / 309.. – 315.. / 339..

03 Overall blind width

		150	200	250	300	350	400
AH	150	Yellow	Yellow	Yellow	Yellow	Yellow	Yellow
	200	Yellow	Yellow	Yellow	Yellow	Yellow	Yellow
	250	Yellow	Yellow	Yellow	Yellow	Yellow	Yellow
	300	Yellow	Yellow	Yellow	Yellow	Yellow	Yellow
	350	Grey	Grey	Grey	Grey		
	400	Grey	Grey	Grey	Grey		

07

08 **sunsilk**

Fabric width 120 cm Fabric pattern nos. 324.. / 325.. / 328.. / 369..

09 Overall blind width

		150	200	250	300	350	400
AH	150	Yellow	Yellow	Yellow	Yellow	Yellow	Yellow
	200	Yellow	Yellow	Yellow	Yellow	Yellow	Yellow
	250	Yellow	Yellow	Yellow	Yellow	Yellow	Yellow
	300	Yellow	Yellow	Yellow	Yellow	Yellow	Yellow
	350	Grey	Grey	Grey	Grey		
	400	Grey	Grey	Grey	Grey		

14 **sunvas**

Fabric width 250 cm Fabric pattern nos. 31008¹⁾, -09¹⁾, -13, -16, -18, -25, -27, -28, -31, -36, -37, -57, -58 / 31109, -14, -17

15 Overall blind width

		150	200	250	300	350	400
AH	150	Green	Green	Green	Green	Yellow	Yellow
	200	Green	Green	Green	Green	Yellow	Yellow
	240	Green	Green	Green	Green	Yellow	Yellow
	300	Green	Green	Green	Green 1)	Yellow	Yellow
	350	Green	Green	Green	Green 1)	Yellow 1)	Yellow
	400	Green	Green	Green	Green 1)	Yellow 1)	Yellow

1) also available in fabric width 320 cm – then seamless

20 **transolair**

Fabric width 250 cm Fabric pattern nos. 338..

Overall blind width

		150	200	250	300	350	400
AH	150	Green	Green	Green	Green	Yellow	Yellow
	200	Green	Green	Green	Green	Yellow	Yellow
	240	Green	Green	Green	Green	Yellow	Yellow
	300	Green	Green	Green	Green	Yellow	Yellow
	350	Green	Green	Green	Green		
	400	Green	Green	Green	Green		

dimensions in cm

N.B.! Width of the outer panels in covers with vertical joints max. 35 cm

Yellow = in vertical panels (panel width approx. 120 cm)

Green = seamless
Dark Green = in horizontal panels

Grey = not available
AH = unit height

Solar protection fabrics

Fabric pattern series | Their limitations and manufacture

perfortex

Fabric width 120 cm

Fabric pattern nos. 331.. / 332..

		Overall blind width					
		150	200	250	300	350	400
AH	150						
	200						
	250						
	300						
	350						
	400						

vuscreen Alu

Fabric width 252 cm

Fabric pattern nos. 317..

		Overall blind width					
		150	200	250	300	350	400
AH	150						
	200						
	250						
	300						
	350						
	400						

Fibreglass Screen Fabric

Fabric width 250 cm

Fabric pattern nos. 272..

		Overall blind width					
		150	200	250	300	350	400
AH	150						
	200						
	240						
	300						
	350						
	400						

Soltis Perform 92

Fabric width 177 cm

Fabric pattern nos. 277..

		Overall blind width					
		150	177	250	300	350	400
AH	150						
	170						
	250						
	300						
	350						
	400						

dimensions in cm

N.B!: Width of the outer panels in covers with vertical joints max. 35 cm

= in vertical panels (panel width approx. 120 cm)

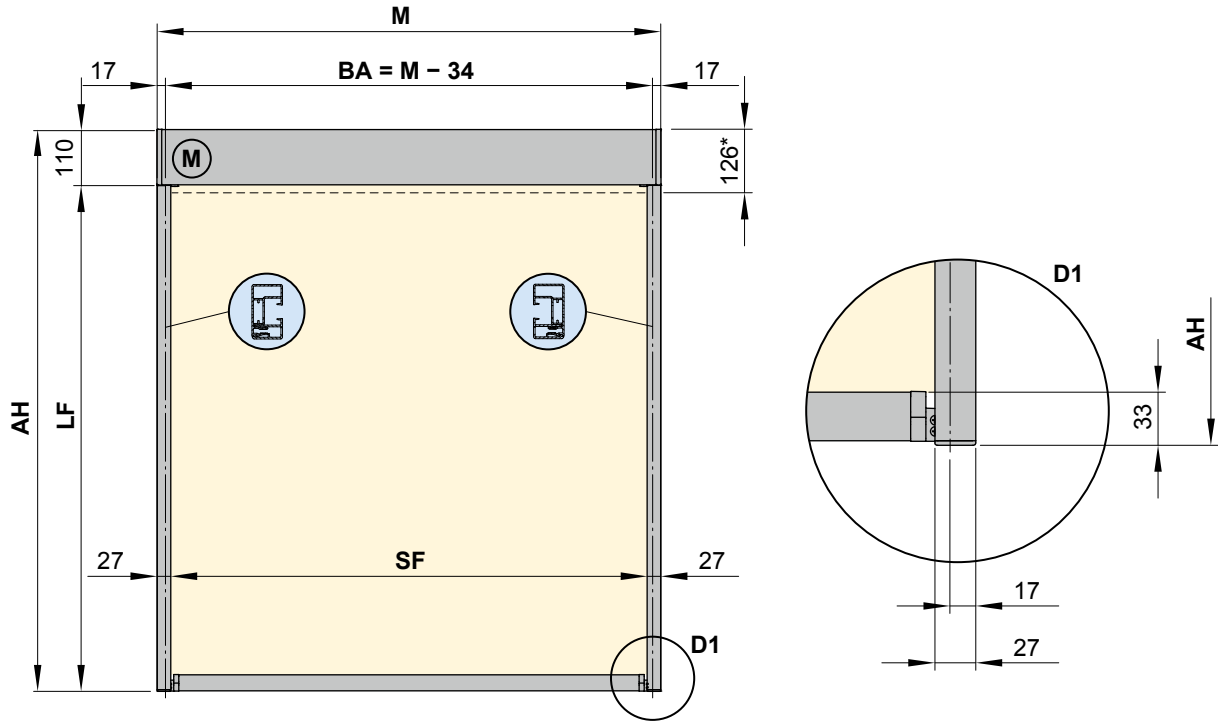
= seamless
 = in horizontal panels

= not available
AH = unit height

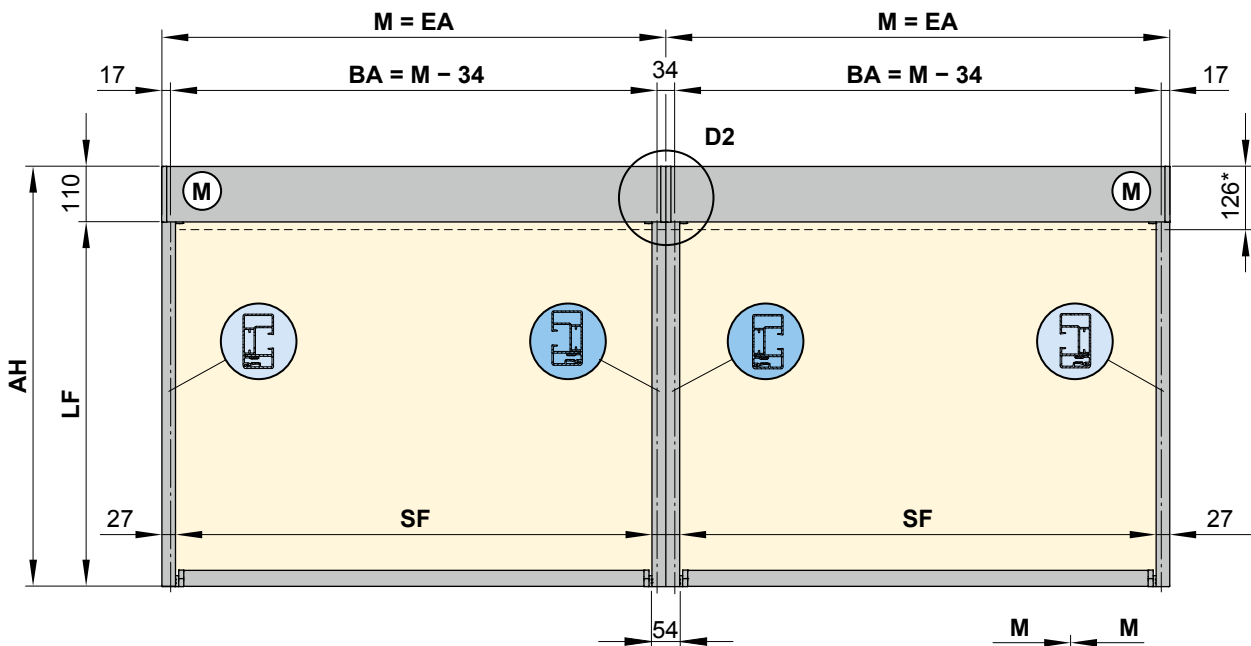
01
02
03
04
05
06
07
08
09
10
11
12
13
14
15
16
17
18
19
20

Overview of unit and fitting dimensions

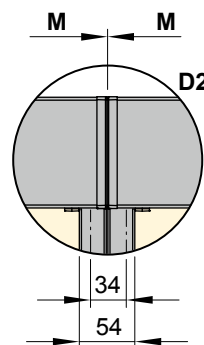
Single unit



Two single units



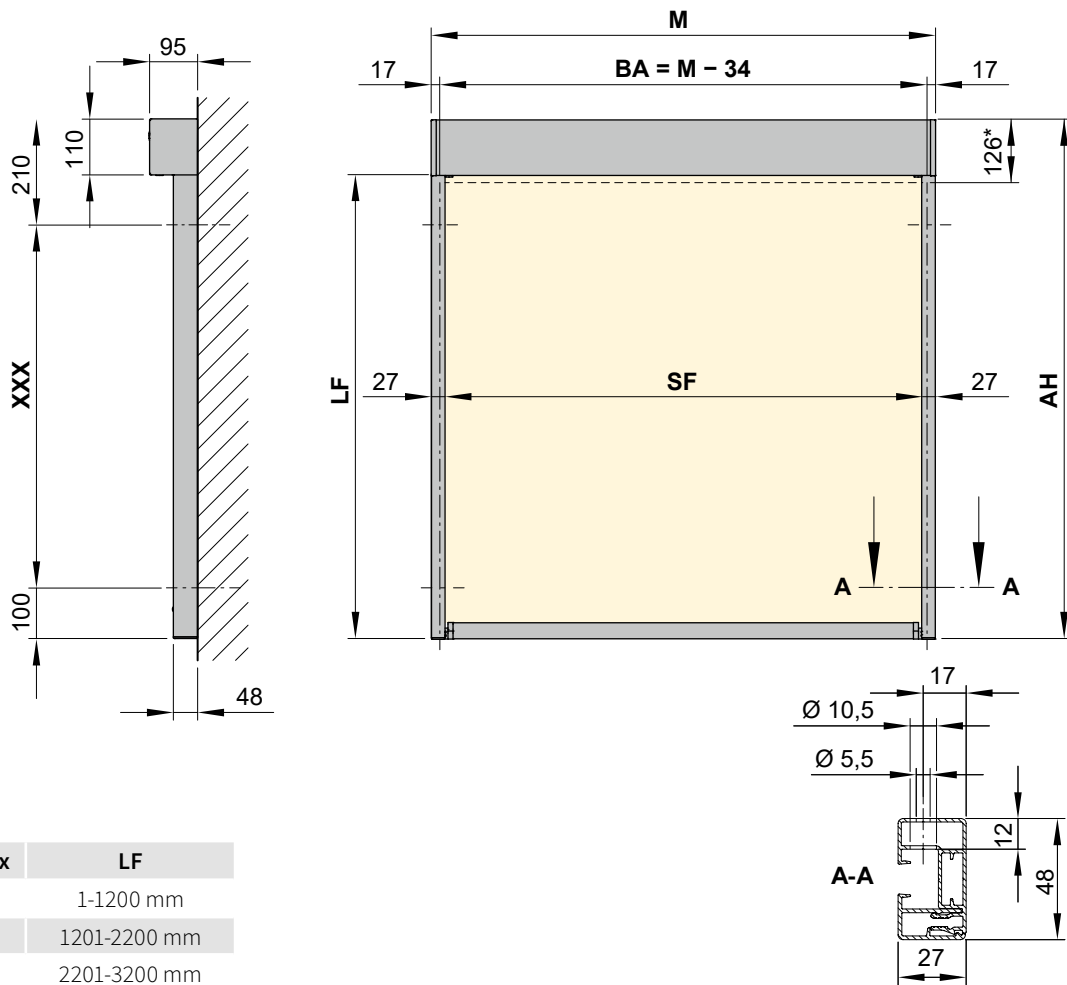
- * = unit height when retracted
- AH = order measurement = unit height
- BA = width between fixture points (fixture type 8)
- EA = single unit
- LF = length of the guide rail
- M = order dimension = overall blind width
- (M) = motor
- SF = visible cover area



dimensions in mm

Overview of unit and fitting dimensions

Fixture combination 8



ABO - xxx	LF
2	1-1200 mm
3	1201-2200 mm
4	2201-3200 mm
5	3201-4000 mm

- * = unit height when retracted
- AH = order measurement = unit height
- ABO = number of drill holes in the range xxx
- BA = width between fixture points

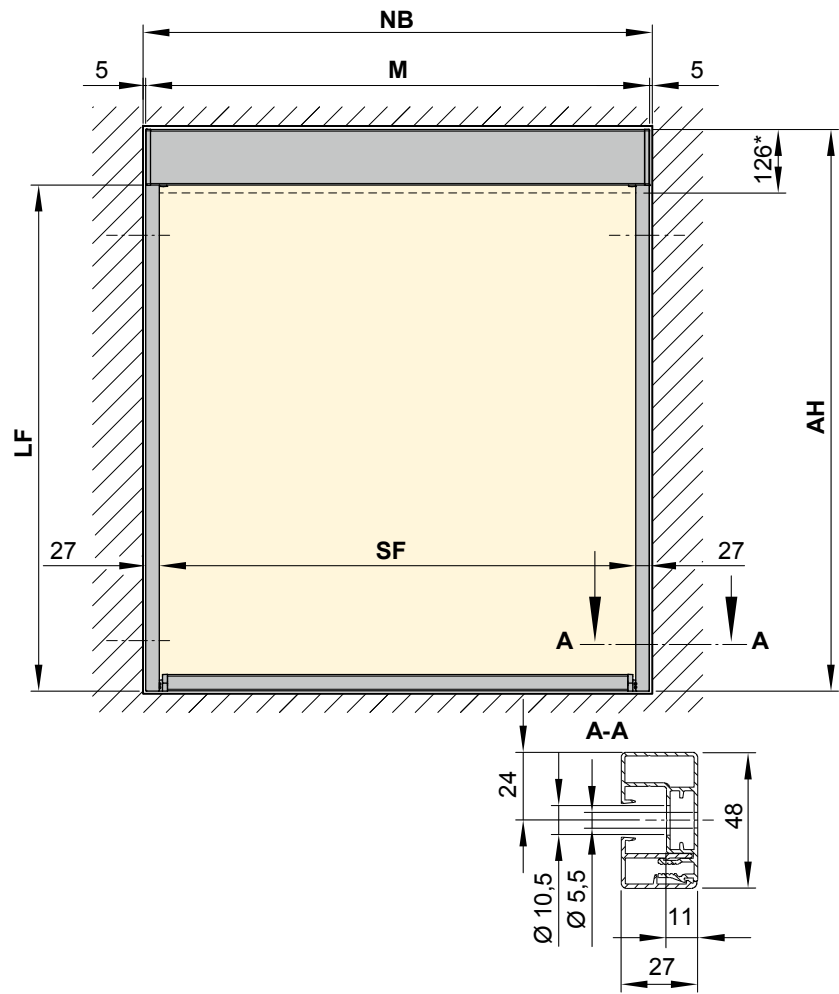
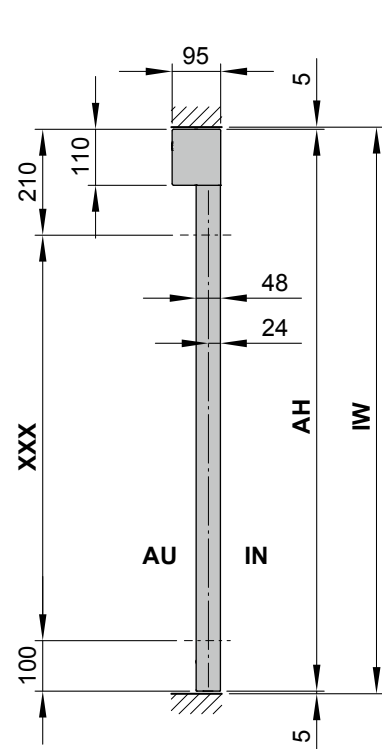
- LF = length of the guide rail
- M = order dimension = overall blind width
- SF = visible cover area

dimensions in mm

01
02
03
04
05
06
07
08
09
10
11
12
13
14
15
16
17
18
19
20

Overview of unit and fitting dimensions, fixture combination 9

Reveal fixture



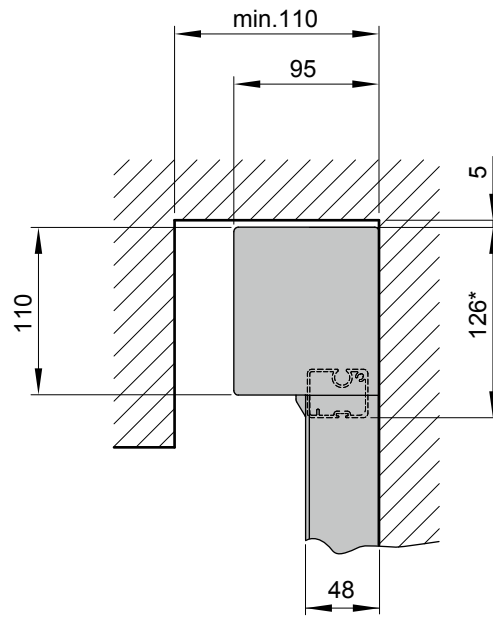
ABO xxx	LF
2	1-1200 mm
3	1201-2200 mm
4	2201-3200 mm
5	3201-4000 mm

- * = unit height when retracted
- AH** = order measurement = unit height = IW - 10 mm
- AU** = exterior
- ABO** = number of drill holes in the range xxx
- IN** = interior
- IW** = height of opening

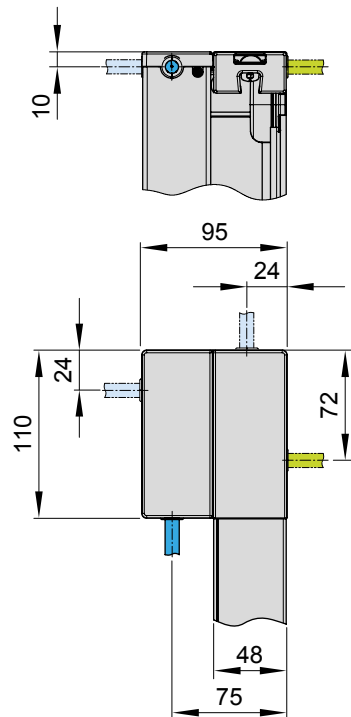
- LF** = length of the guide rail
- M** = order dimension = overall blind width
- NB** = reveal width
- SF** = visible cover area

dimensions in mm

Reveal fixture in a top window well



Motor cable exit point



* = extension when retracted

■ = standard

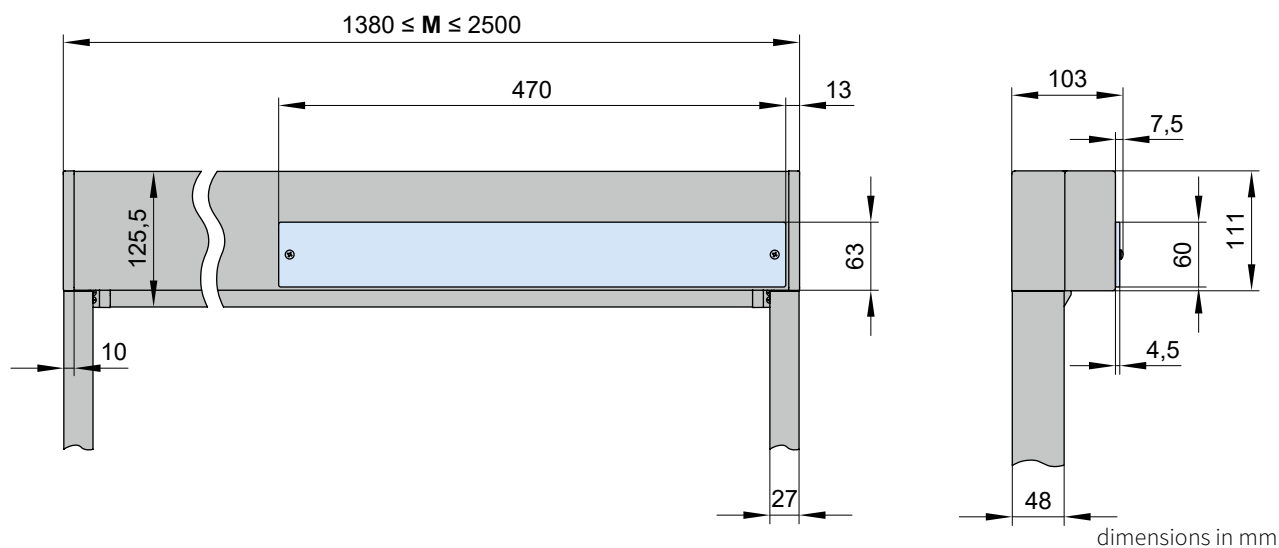
■ = optional (without surcharge)

■ = optional (incurs a surcharge)

dimensions in mm

Overview of unit and fitting dimensions, sundrive operation

Solar module in the cassette



The sundrive solar module is either

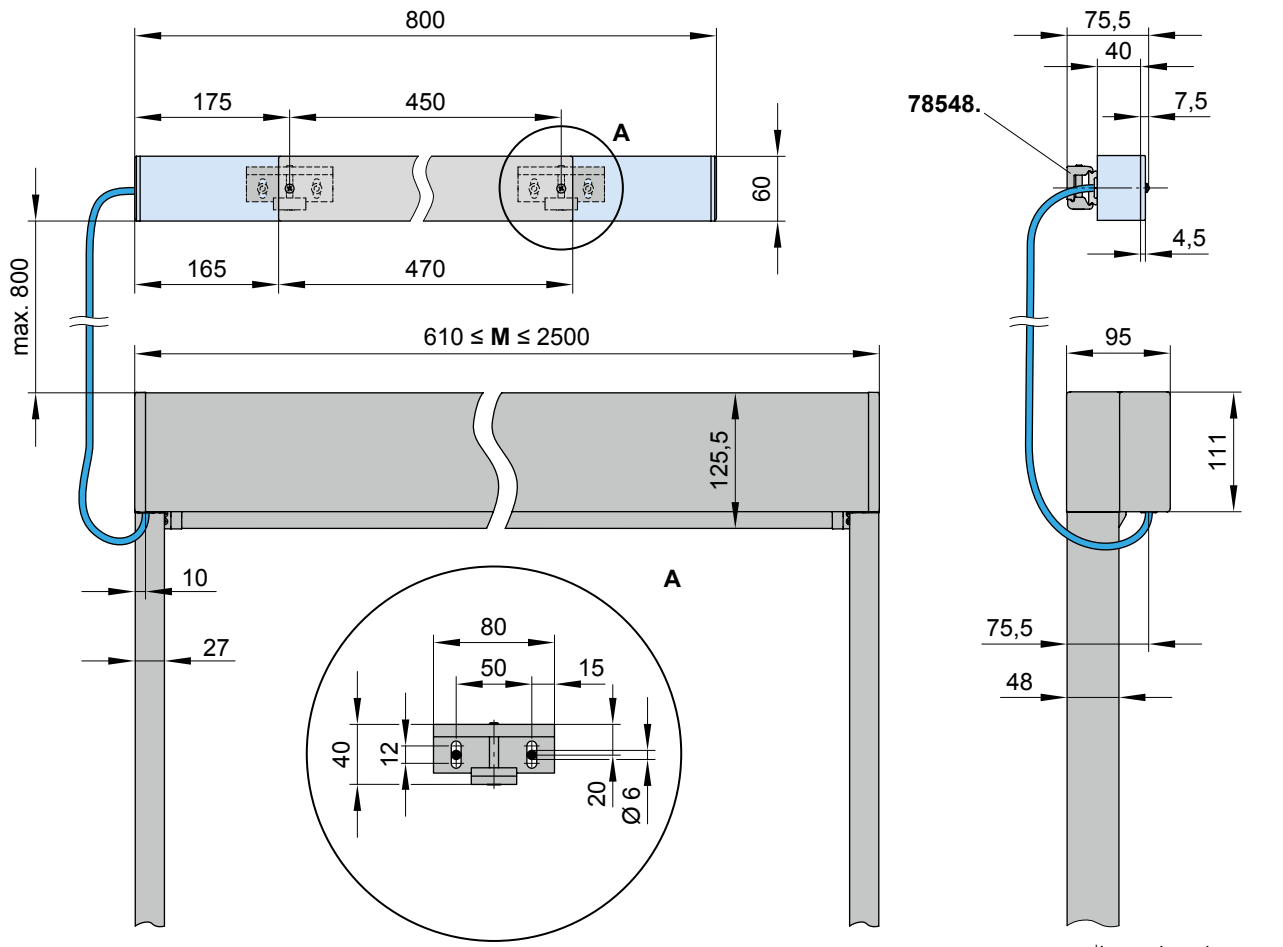
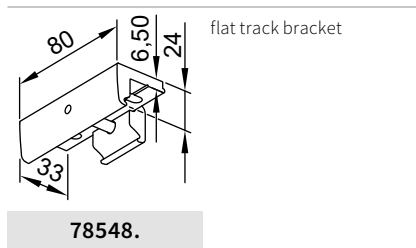
- integrated on the bearing side into the cassette (for blind widths from 138 cm to 250 cm × a maximum height of 300 cm) or
- connected to the motor from an external E-box housing (for blind widths from 60 cm to 250 cm × a maximum height of 300 cm) so that the solar cell can be positioned in a location that receives more sunlight or so that narrow blinds can also be powered using solar energy.

You can choose which side the motor is fitted; this, however, also determines the position of the solar panel and / or the E-box.

The solar panel (without E-box) is always on the bearing side and the E-box is always attached on the motor side.

Overview of unit and fitting dimensions, sundrive operation

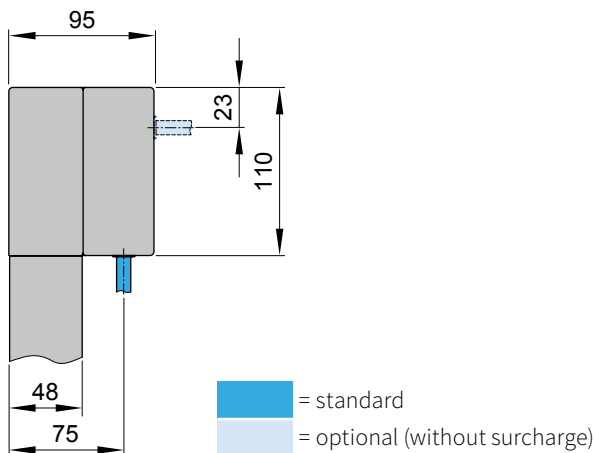
Solar module in an E-box



M = order dimension = overall blind width
78548. = flat track bracket

dimensions in mm

Motor cable exit point for sundrive with E-box



Technical data of the radio-controlled motor RTS, 433 MHz

Operating voltage	12 V DC
Power output	32 W
Protection class	IP 44

Technical data of the solar module

Operating voltage	max. 21 V DC
Current	max. 196 mA
Power output	3.2 W
Protection class	IP 44

01
02
03
04
05
06
07
08
09
10
11
12
13
14
15
16
17
18
19
20

01

02

03

04

05

06

07

08

09

10

11

12

13

14

15

16

17

18

19

20