



Cassette awning

markilux 1710 stretch

The classic torque bar awning with a designer look. Large projections at limited widths – the perfect solution for narrow reveals, balconies and patios.



red dot design award
winner 2012



German
Design Award
NOMINEE 2014

markilux.com

markilux

safe timeless beautiful

Product characteristics

Wind resistance class 2
Beaufort 5 → 7.5–10.4 m/s → 28–37 km/h → 17–23 mph



01
02
03
04
05
06
07
08
09
10

1 face fixture



1 face fixture, maximum pitch 25°



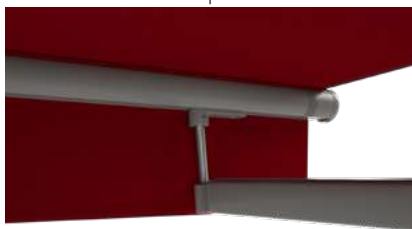
1 top fixture



2 folding arm suspended from the torque bar



3 connection of the lower folding arm to the front profile



4 bionic tendon made of high-tech fibres for optimum power transference



5 special water drainage method, cover pocket hidden in the front profile



6 wall sealing profil 1), up to a pitch of 25°



1) optional configuration

Product characteristics

Description

- award-winning, teardrop-shaped cover cassette employing special folding arm technology, shading areas with greater depth than width.

Special features

- awning with an extremely torsion-resistant, round torque bar
- round, fluid transition from the round torque bar to the round cassette
- cover cassette with tiered arms in front, which make greater projections than widths possible
- even when the awning is fully extended, the roller tube is completely protected

Dimensions

- awning in the standard version: depth 252 mm, height 289 mm
- single unit: minimum width 123 cm at the smallest projection of 150 cm minimum width 248 cm at the largest projection of 350 cm

Roller tube and lateral bearings

- round roller tube Ø 85 mm with keyway, galvanised steel – excellent stability ensures near perfect cover performance even at the largest widths
- the roller support bracket is made of die-cast aluminium, powder coated, with integrated hidden cable canal when motor driven

Awning profiles

- extruded aluminium, in façade quality, powder coated
- cassette in two parts
- circular front profile with integrated gutter
- round steel torque bar Ø 50 mm, galvanised both inside and out, powder coated

Folding arms

- profiles in extruded aluminium, in façade quality, powder coated
- moving parts made of drop-forged aluminium – the arms are therefore extremely fracture resistant
- pivot bolts in stainless steel run in Teflon-coated bronze bushes – practically maintenance free, virtually silent and extremely hard-wearing
- power transference via the innovative Bionic tendon at the elbow joint, made of high tensile, hightech fibres – low in friction, noiseless, insensitive to corrosion and UV resistant, tested by the Fraunhofer institute

Side caps

- the roller support bracket insert sections are made of high-quality plastic, powder coated or in a polished chrome finish
- the front profile end caps are made of high-quality plastic, powder coated or in polished chrome, with drainage holes

Fixture brackets

- face fixture, top fixture, eaves fixture
- extruded aluminium, powder coated
- pitch range 5°–25°, infinitely adjustable
- spacer plates, stand-off brackets and other accessories are available

01 **Frame and end cap colours**

markilux frame colours without surcharge

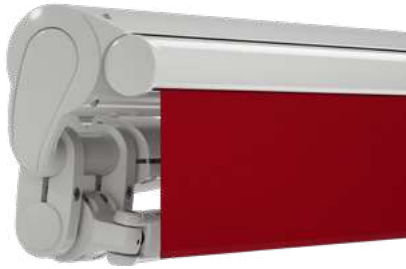
02

traffic white RAL 9016

metallic aluminium RAL 9006

grey brown, similar to RAL 8019

03



04

05

06

07

off-white textured finish, 5233 ¹⁾

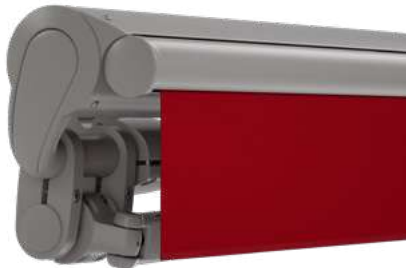
stone grey metallic, 5215 ¹⁾

anthracite metallic, 5204 ¹⁾

08

09

10



11

Havana brown textured finish, 5229 ¹⁾

12

13

14

15



16

17

off-white textured finish, 5233 ¹⁾
insert and front profile end cap
in polished chrome

stone grey metallic, 5215 ¹⁾
insert and front profile end cap
in polished chrome

anthracite metallic, 5204 ¹⁾
insert and front profile end cap
in polished chrome



Combination options – possible in any frame colour.

Non-standard powder-coated finish

Bespoke frame colours at a surcharge – matt, metallic and pearl finishes as well as other colour ranges (DB, Tiger etc.) on request. All frame colours are available at a surcharge with enhanced corrosion protection.

1) textured finish

Colours may differ slightly from those depicted in both hue and finish.

Dimensions and configuration options

Single unit

		Overall awning width						Minimum width				
		150	175	200	225	250	300	350	Motor		Crank handle	
Order dimensions		123	151	176	201	226	251	301				
		150	175	200	225	250	300	350				
H	150	2)		1)	—	—	—	—	130	123	132	125
	200	2)	2)			1)	—	—	155	148	157	150
	250	—	2)	2)			1)	—	180	173	182	175
	300	—	—	2)	2)			1)	205	198	207	200
	350	—	—	—	2)	2)			230	223	232	225

- 1) = intermediate size on request
- 2) = observe the minimum widths!
- H = projection

= 2 folding arms, 2 brackets

- = 2 standard arms
- = 2 bespoke arms (surcharge)

dimensions in cm

Operation

	standard	optional
crank handle	✓	—
spring-assisted crank handle	—	✓
hard-wired motor	—	✓
silentec motor (optionally with an external io / RTS receiver) ¹⁾	—	—
radio-controlled motor io, 868 MHz	—	✓
radio-controlled motor RTS, 433 MHz	—	✓
radio-controlled motor RTS, 433 MHz with manual override ¹⁾	—	—

1) for awnings with a maximum of 2 arms

Coupled Awning

not available

Awning cover

	fabric range no.	standard	optional
sunvas	301.. / 309..-315..	✓	—
perla	370 ..	—	✓
sunsilk	324.. / 325.. / 328.. / 369..	✓	—
perla FR	374.. / 375..	—	✓
perfotex	331.. / 332..	—	—
transolair	338..	—	—
vuscreen Alu	317..	—	—
Soltis Perform 92	92-20..	—	—
glass fibre screen	272..	—	—
valance, height 25 cm		✓	—

Shadeplus / drop valance

not available

01
02
03
04
05
06
07
08
09
10
11
12
13
14
15
16
17

Optional accessories

wall sealing profile (effective up to a maximum awning pitch of 25°); coverboard when fitted to the markilux panel, in one piece

infrared heater 2500 W

infrared heater 2500 W with integrated radio-controlled receiver 868 MHz io

LED spotline – light bar 110 × 70 mm with 5 W LED spotlights, width 180 cm / 3 spots or 300 cm / 5 spots

LED spotline io – light bar 110 × 70 mm with 5 W LED spotlights with integrated dimmable radio-controlled receiver, width 180 cm / 3 spots or 300 cm / 5 spots

automatic controls (light, wind, rain)

N.B! Important background information can be found in the chapter “Optional Accessories”.

Fixture options

wall bracket 100 mm 70867.

spreader plate A 430 × 160 × 12 mm 75326.

spreader plate B 300 × 400 × 12 mm 75325.

markilux panel 250 × 230 × 49 mm 76308.

markilux panel continuous 76380.

stand-off bracket wide 80–300 mm 77968.

top fixture bracket 90 mm 70868.

eaves fixture bracket 90 mm, 150 mm plate 71612.

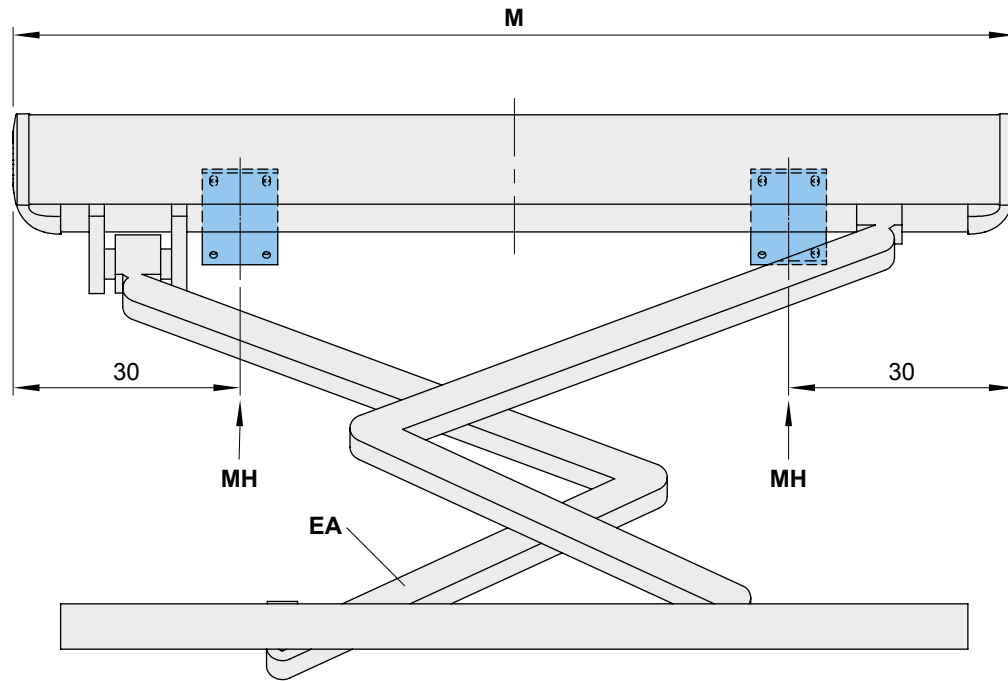
eaves fixture bracket 90 mm, 270 mm plate 71659.

flat plate and angled bracket for eaves fixture machine finish, 500 mm plate 716620

spreader plate 260 × 60 × 12 mm for eaves fixture bracket 75383.

Bracket fixture range

Awning with 2 folding arms



dimensions in cm

		Overall awning width						
		150	175	200	225	250	300	350
Order dimensions		123	151	176	201	226	251	301
		150	175	200	225	250	300	350
		No. of brackets No. of fixing points						
W	BHT 10	2 6						
BP		A 2 16 B 2 8						
PA		2 8						
DE	9	2 8						
DA	9	2 8						

dimensions in cm

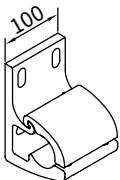
The **pull-out forces** necessary for determining the correct fixing materials necessary to meet wind resistance class 2 (Beaufort 5) can be found in the password-protected dealer area of the markilux.com website under "Pull-out Forces".

- BHT** = bracket width
- BP** = spreader plate A or B, to be positioned behind the folding arm
- DA** = eaves fixture bracket
- DE** = top fixture bracket
- EA** = low folding arm (opposite the drive side)
- M** = *order dimension* = awning width
- MH** = bracket centre
- PA** = markilux panel, fixture profile, width 250 mm
- W** = face fixture bracket

01
02
03
04
05
06
07
08
09
10
11
12
13
14
15
16
17

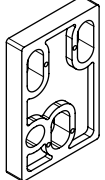
Face fixture

Fixtures, fittings and accessories



face fixture bracket
100 mm

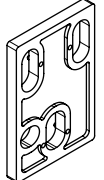
70867.



spacer plate
100 × 150 × 20 mm

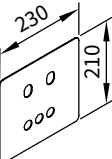
N.B!
Stack to a max. height of 200 mm

758831




spacer plate
100 × 150 × 12 mm

758841



cover plate for spacer plate and stand-off brackets in the case of external insulation
230 × 210 × 2 mm

71843.



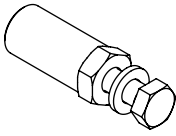
Wall sealing profile incl. brush seal when installing with a coverboard
available by the metre

76385. and 704241



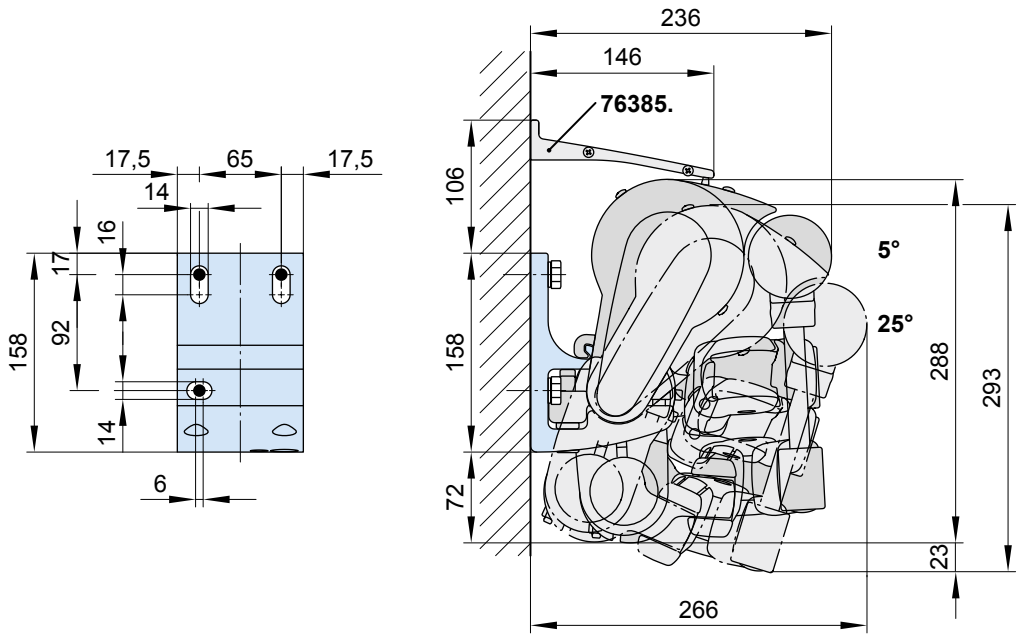
1 side plate including 2 pan-head self-tapping screws for wall sealing profile

76386. and 2 × 735611



bolt reduction assembly
pack 10 pcs

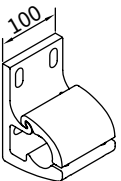
M 16 → M 12 | M 16 → M 10 | M 12 → M 10 | M 10 → M 10



76385. = wall sealing profile (standard width = awning width (M); up to a maximum awning pitch of 25°) dimensions in mm

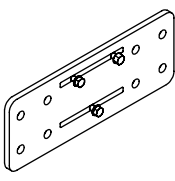
Face fixture with spreader plate A

Fixtures, fittings and accessories



face fixture bracket
100 mm

70867.



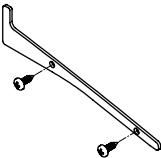
spreader plate A
face fixture
430 × 160 × 12 mm

75326.



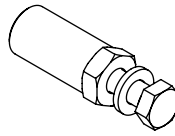
Wall sealing profile
incl. brush seal
when installing with a
coverboard
available by the metre

76385. and 704241



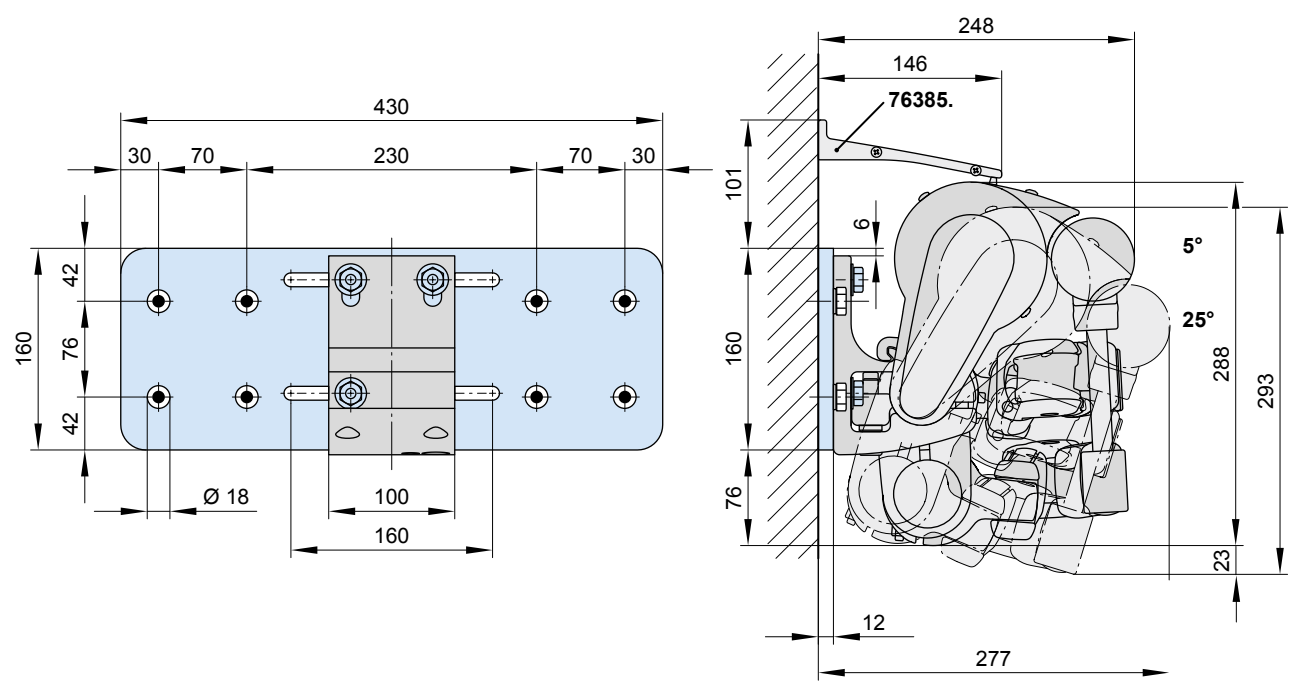
1 side plate including
2 pan-head self-tapping
screws for wall sealing
profile

76386. and 2 × 735611



bolt reduction
assembly
pack 10 pcs

M 16 → M 12 | M 16 → M 10 | M 12 → M 10 | M 10 → M 10

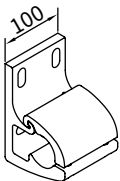
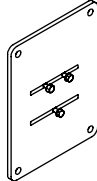
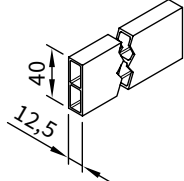
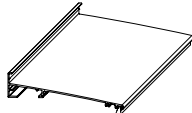
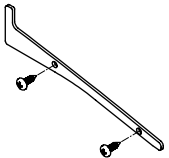
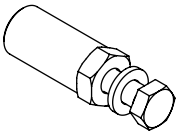


76385. = wall sealing profile (standard width = awning width (M); up to a maximum awning pitch of 25°) dimensions in mm

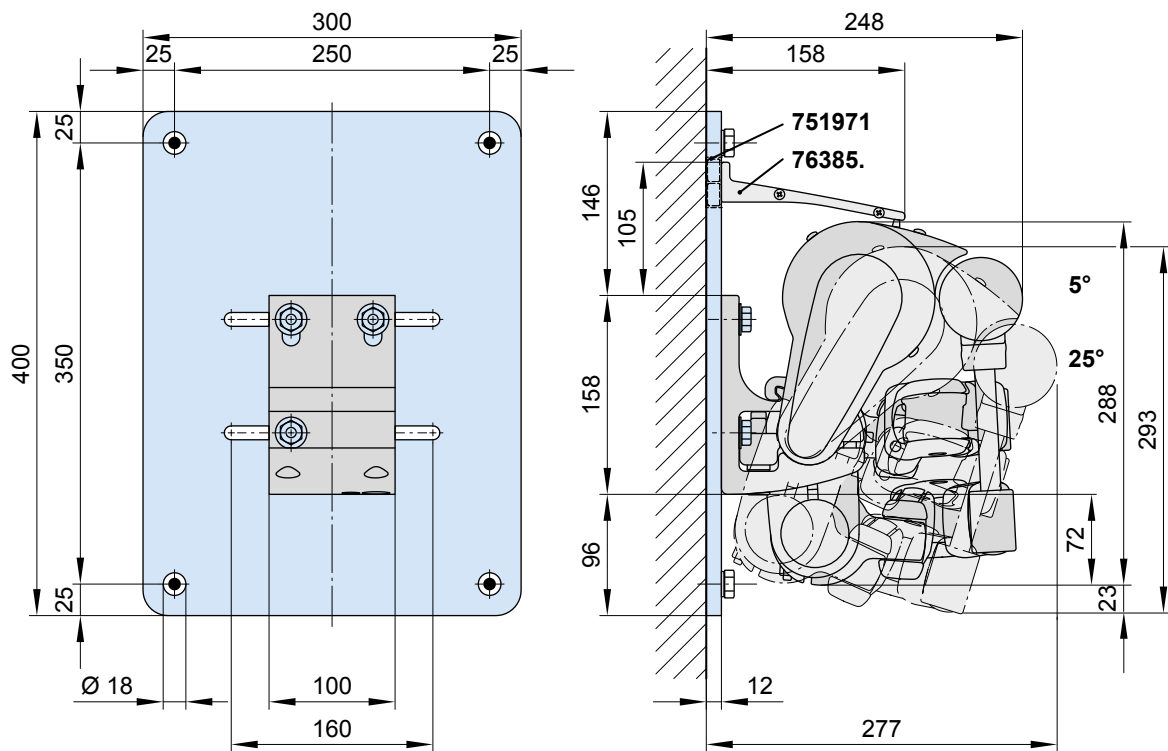
01
02
03
04
05
06
07
08
09
10
11
12
13
14
15
16
17

01 **Face fixture with spreader plate B**

02 Fixtures, fittings and accessories

 <p>face fixture bracket 100 mm</p> <p>70867.</p>	 <p>spreader plate B face fixture 300 × 400 × 12 mm</p> <p>75325.</p>	 <p>stand-off strip for wall sealing profile available by the metre</p> <p>751971</p>
 <p>Wall sealing profile incl. brush seal when installing with a coverboard available by the metre</p> <p>76385. and 704241</p>	 <p>1 side plate including 2 pan-head self-tapping screws for wall sealing profile</p> <p>76386. and 2 × 735611</p>	 <p>bolt reduction assembly pack 10 pcs</p> <p>M 16 → M 12 M 16 → M 10 M 12 → M 10 M 10 → M 10</p>

10



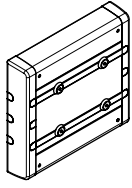
751971 = stand-off strip for wall sealing profile

76385. = wall sealing profile (standard width = awning width (M); up to a maximum awning pitch of 25°)

dimensions in mm

Face fixture with markilux panel 250 mm

Fixtures, fittings and accessories

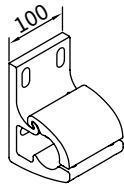


markilux panel 250 mm
fixture profile

with decorative profiles
and end caps

250 × 230 × 49 mm

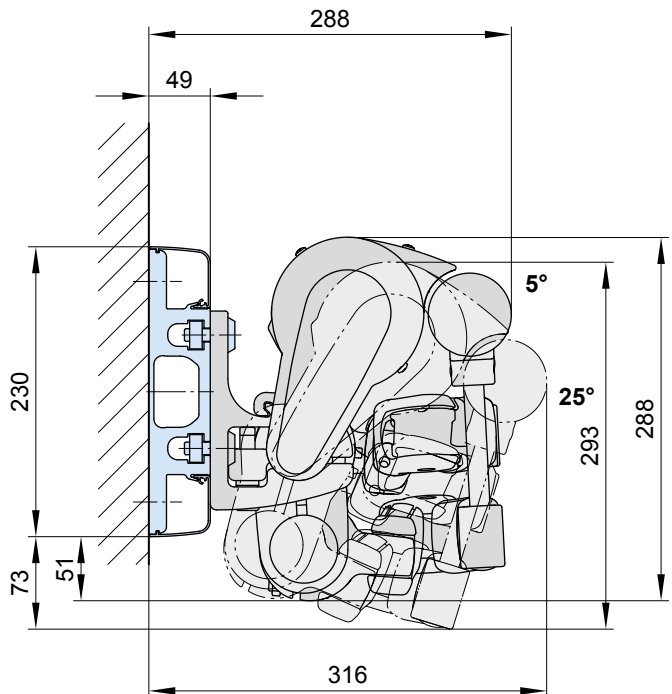
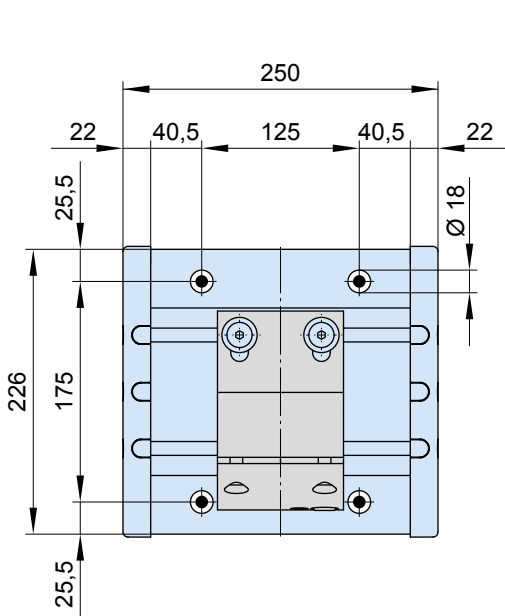
76308.



face fixture brackets

100 mm

70867.

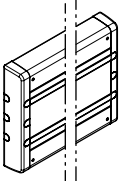


dimensions in mm

01
02
03
04
05
06
07
08
09
10
11
12
13
14
15
16
17

01 **Face fixture with markilux panel continuous**

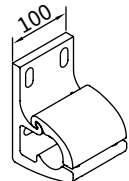
02 Fixtures, fittings and accessories

03  markilux panel 250 mm
fixture profile

04 with decorative profiles
and end caps

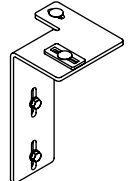
05 continuous

76380.

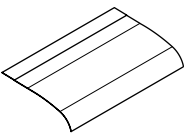
03  face fixture brackets

04 100 mm

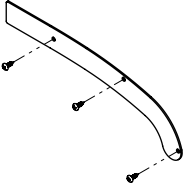
70867.

03  Coverboard brackets

76390.

06  Coverboard incl. addi-
tional profile and rubber
sealing strip

72015., 72019., 75970.

06  End cheeks for the cover-
board, 282 × 87 × 2 mm

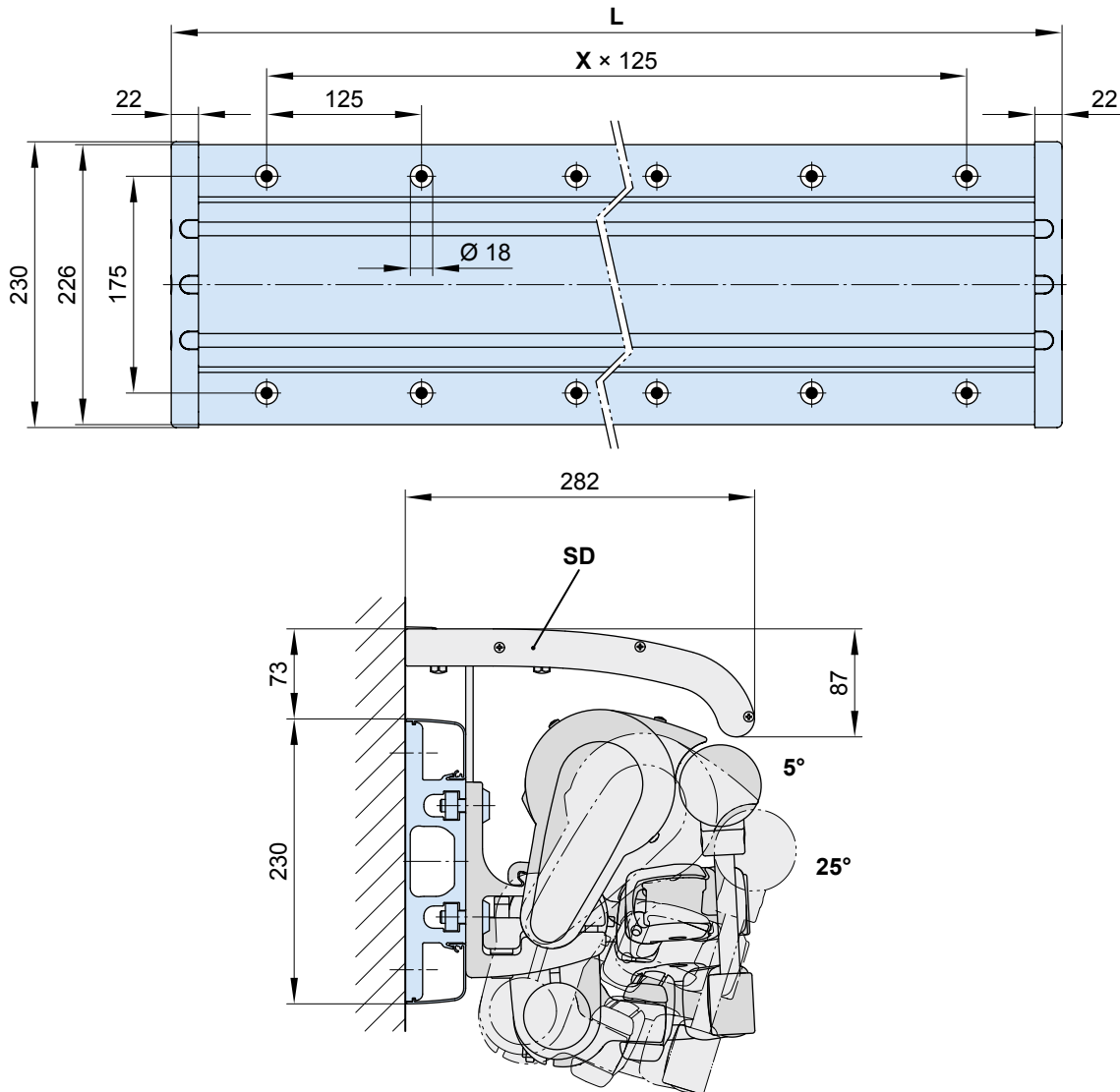
07 and

08 3 fillister head self-tap-
ping screws

76469. und 3 × 735611

10

As a **continuous fixture profile**, the markilux panel will always be supplied to order on the basis of a technical drawing prepared in the factory in accordance with the awning specification.



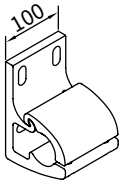
L = individual width, max. 7000 mm
SD = coverboard

X = fixing point separation, **by way of example**

dimensions in mm

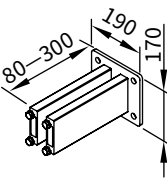
Face fixture with stand-off bracket

Fixtures, fittings and accessories



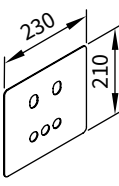
face fixture bracket
100 mm

70867.



stand-off bracket
for face fixture bracket
70867.

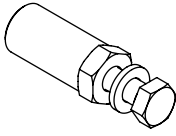
77968.



cover plate
for spacer plate
and stand-off brackets
in the case of external
insulation

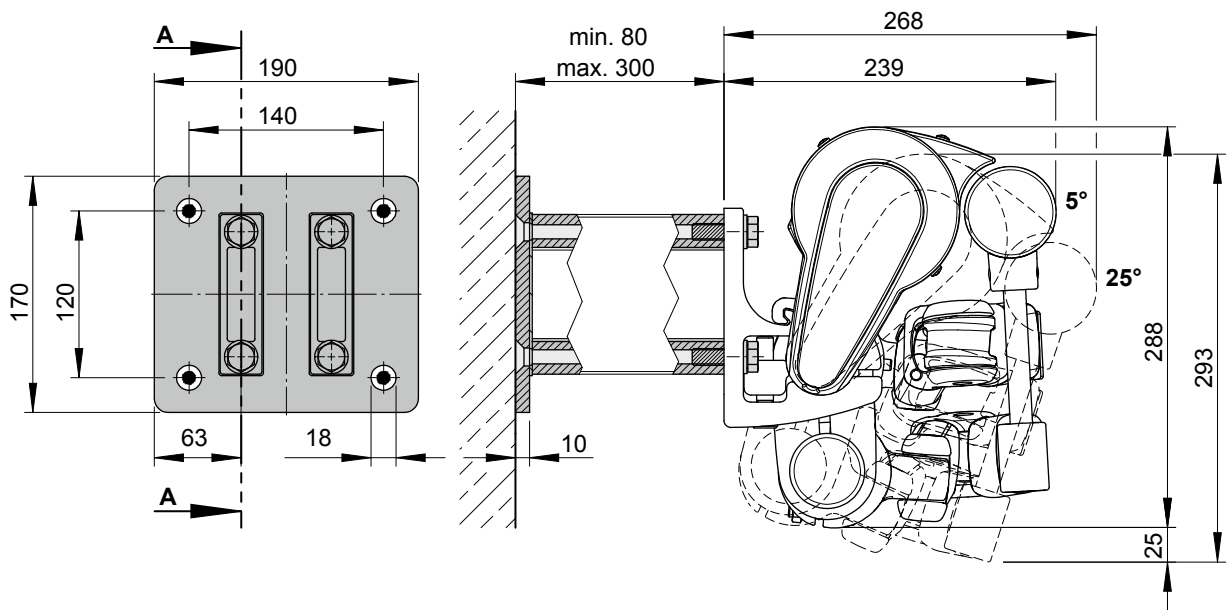
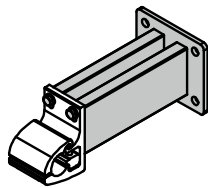
230 × 210 × 2 mm

71843.



bolt reduction
assembly
pack 10 pcs

M 16 → M 12 | M 16 → M 10 | M 12 → M 10 | M 10 → M 10

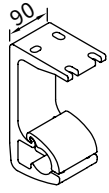


dimensions in mm

01
02
03
04
05
06
07
08
09
10
11
12
13
14
15
16
17

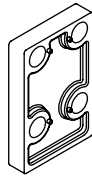
01 **Top fixture**

02 Fixtures, fittings and accessories



top fixture bracket
90 mm

05 **70868.**



spacer plate for
top fixture
90 × 140 × 20 mm
N.B!
stack to a max. height of
200 mm

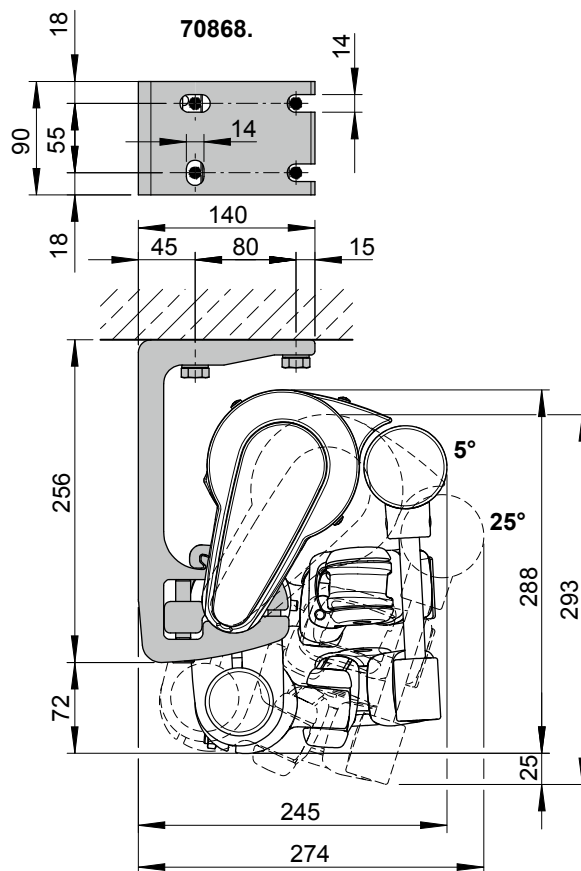
716311



spacer plate for
top fixture
90 × 140 × 12 mm

716411

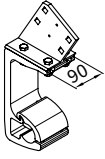
10



dimensions in mm

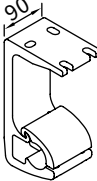
Eaves fixture

Fixtures, fittings and accessories



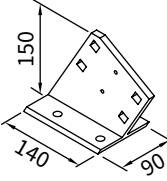
eaves fixture bracket
complete set
height of flat plate: 150 mm
90 mm

70871.



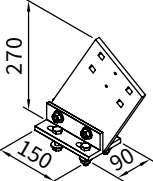
top fixture bracket
90 mm

70868.



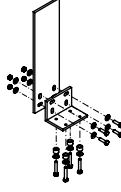
eaves fixture bracket
150 mm

71612.



eaves fixture bracket
270 mm
please refer to "Eaves fixture with spreader / backing plate"

71659.

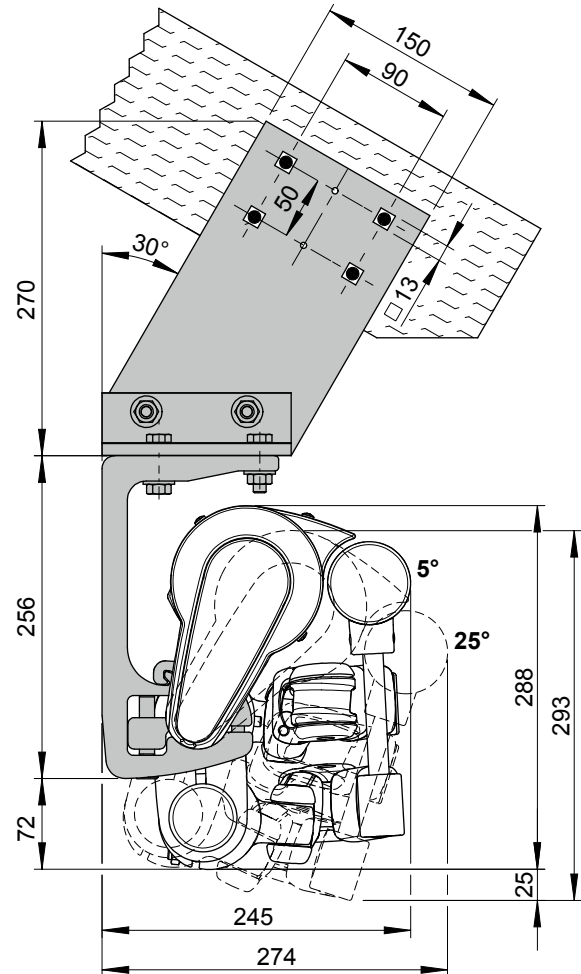
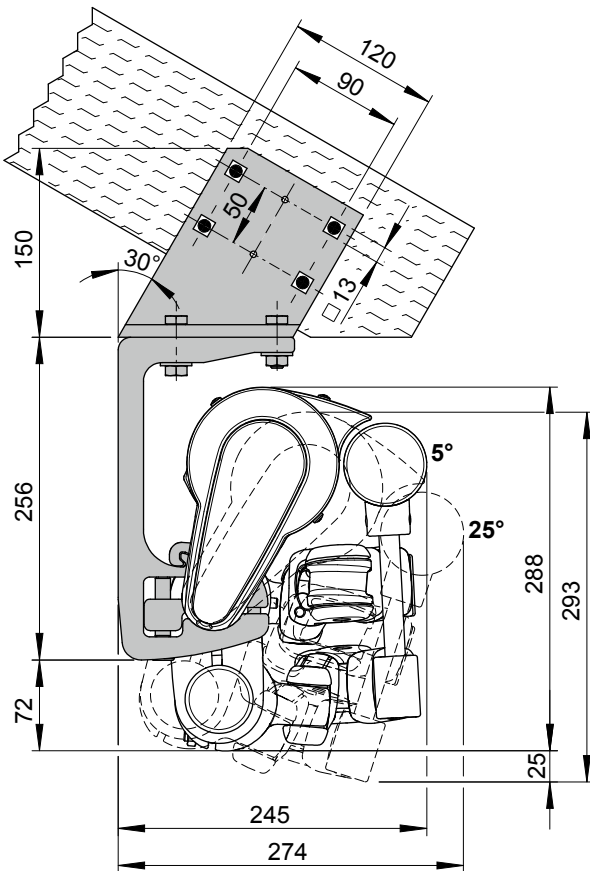


flat plate and angled bracket for eaves fixture
machine finish

716620

With eaves fixture bracket, 150 mm plate (71612.)

With eaves fixture bracket, 270 mm plate (71659.)

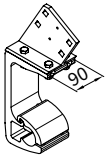


dimensions in mm

01
02
03
04
05
06
07
08
09
10
11
12
13
14
15
16
17

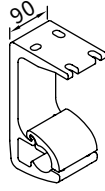
Eaves fixture with additional plate

Fixtures, fittings and accessories



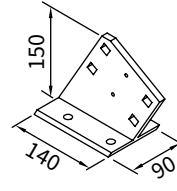
eaves fixture bracket
complete set
height of flat
plate: 150 mm
90 mm

70871.



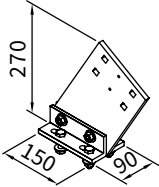
top fixture bracket
90 mm

70868.



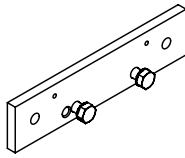
eaves fixture bracket
150 mm

71612.



eaves fixture bracket
270 mm
please refer to "Eaves
fixture with spreader /
backing plate"

71659.



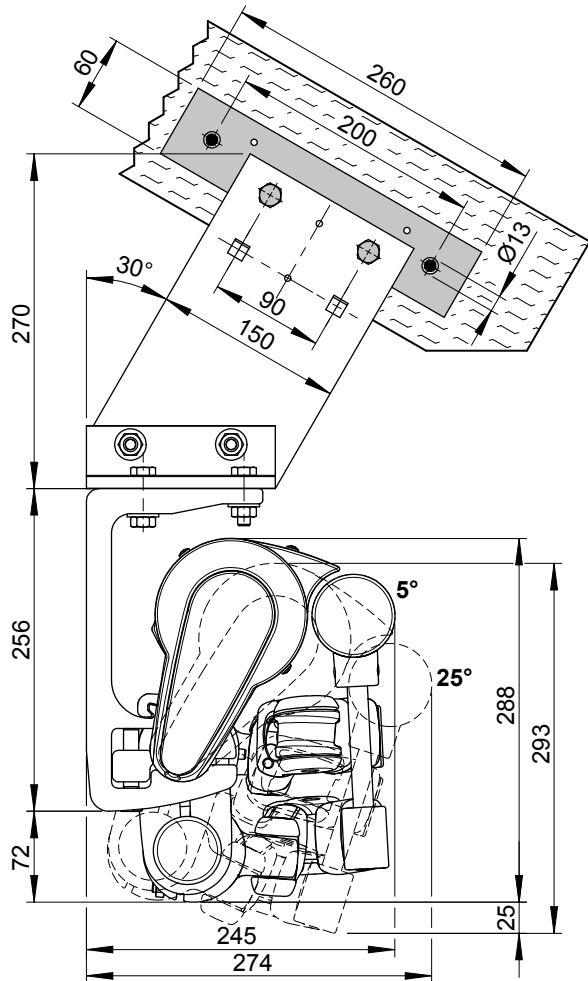
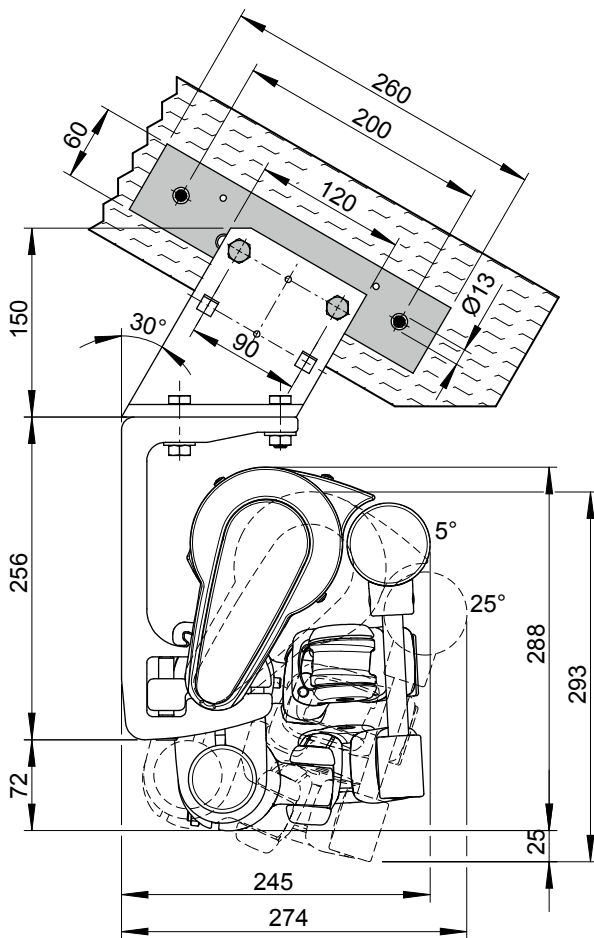
supplementary flat plate
eaves fixture
260 × 60 × 12 mm
please refer to "Eaves
fixture with spreader /
backing plate"

75383.

10

With eaves fixture bracket, 150 mm plate (71612.)

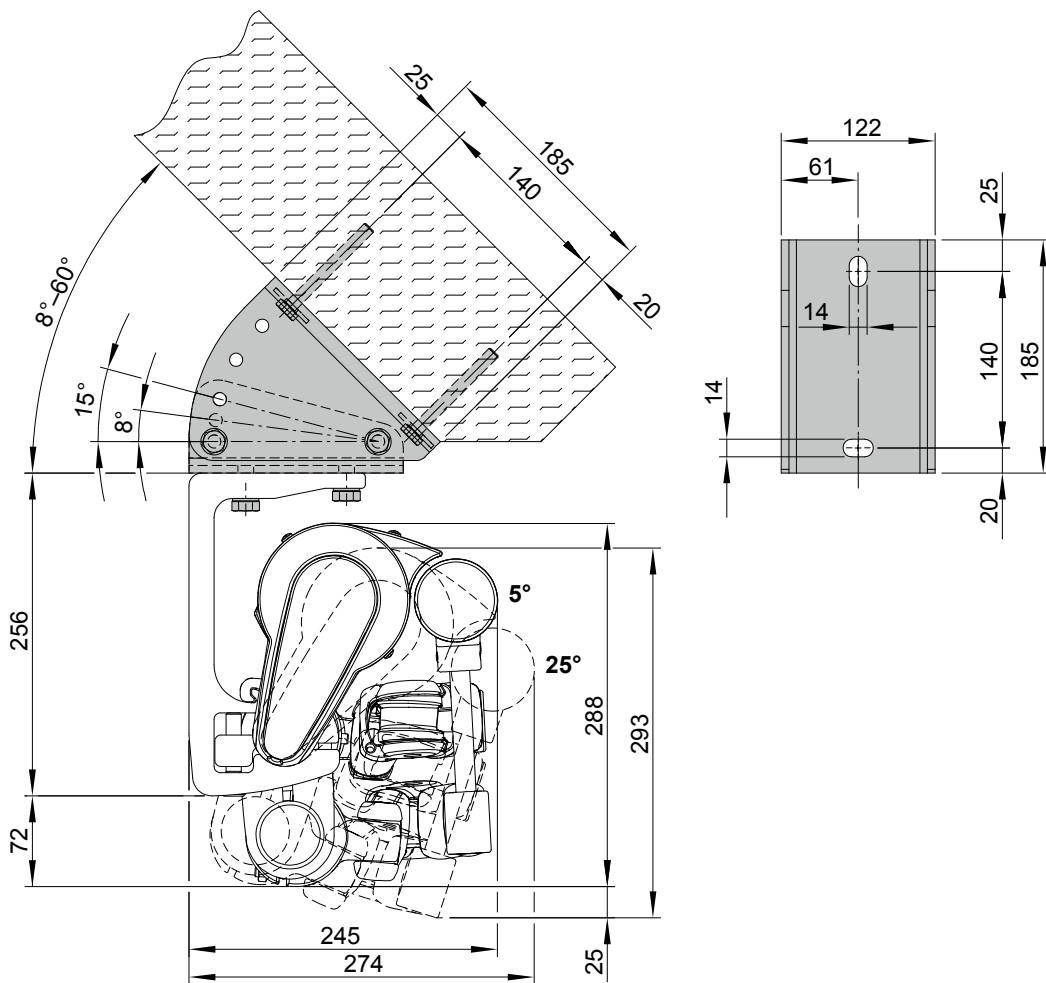
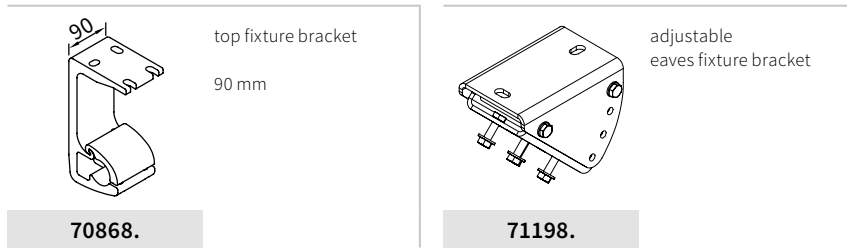
With eaves fixture bracket, 270 mm plate (71659.)



dimensions in mm

Eaves fixture with adjustable bracket

Fixtures, fittings and accessories



dimensions in mm

- 01
- 02
- 03
- 04
- 05
- 06
- 07
- 08
- 09
- 10**
- 11
- 12
- 13
- 14
- 15
- 16
- 17

01 **Face fixture, manual gearbox operation, dimensions at pitches between 5°–25°**

02

03

04

05

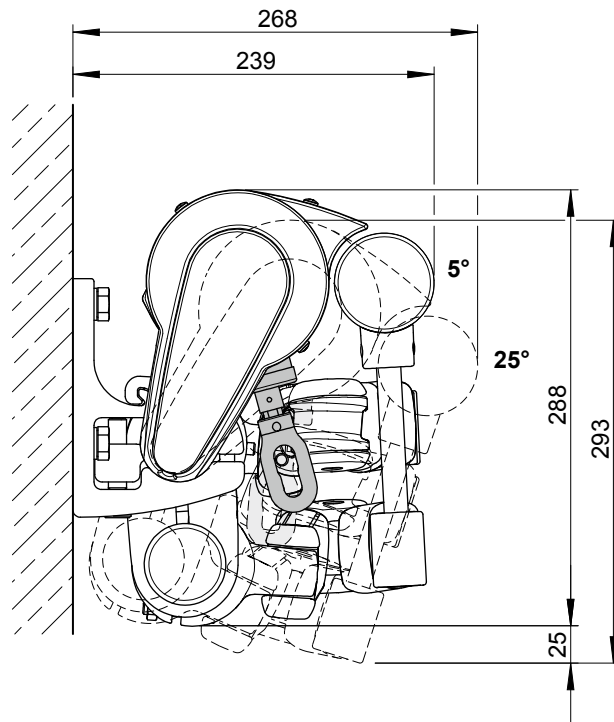
06

07

08

09

10



11

12

13

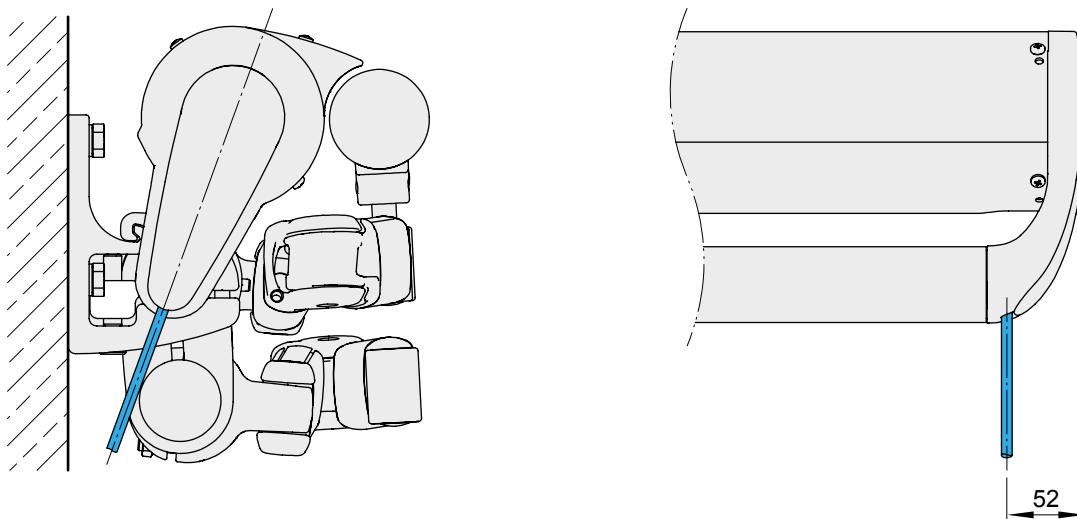
14

Motor cable exit point

15

16

17



dimensions in mm