



Cassette awning

markilux 1710

The classic torque bar awning with a designer look.

The droplet-shaped cover cassette lends it a harmonious appearance.



German
Design Award
NOMINEE 2014



reddot design award
winner 2012

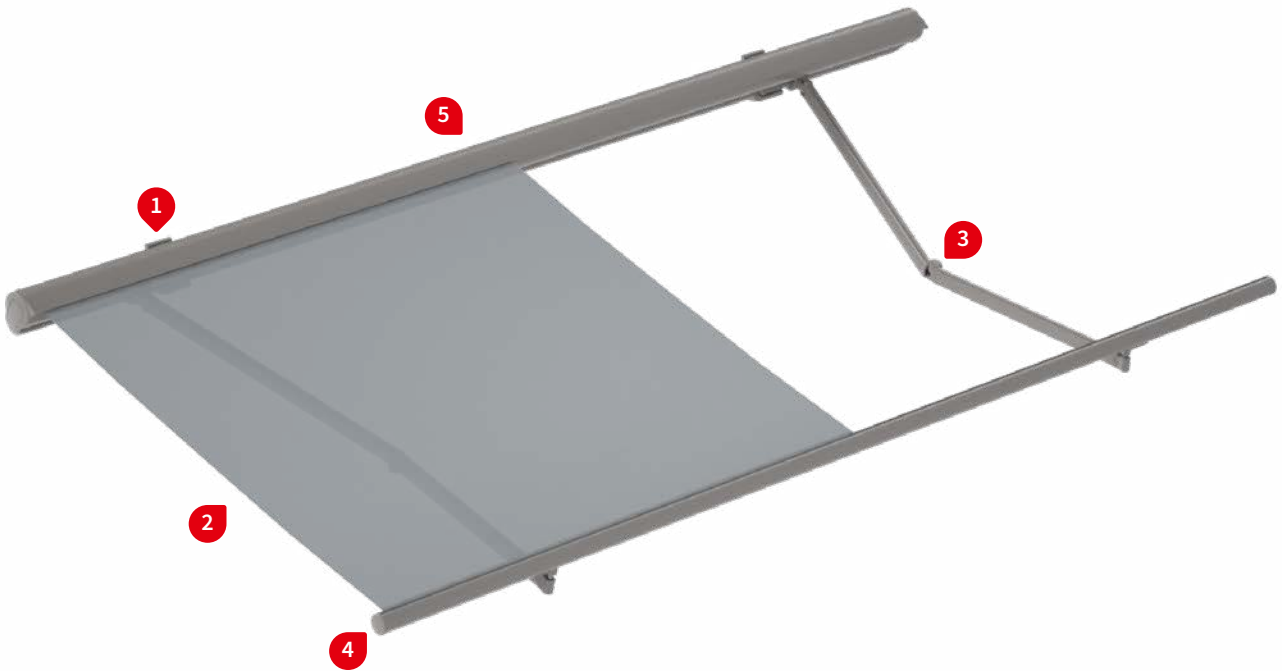
markilux.com

markilux
safe timeless beautiful

Product Characteristics

Wind resistance class 2
Beaufort 5 → 7.5–10.4 m/s → 28–37 km/h → 17–23 mph

01
02
03
04
05
06
07
08
09
10



11

12
13
14
15
16
17

1 face fixture



1 face fixture, maximum pitch of 25°



1 top fixture



1 manual operation



2 during extension



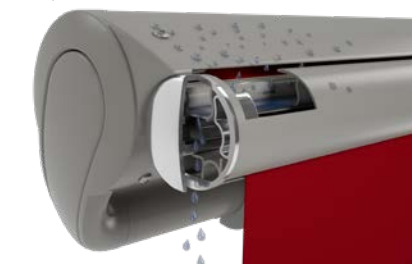
3 bionic tendon made of high-tech fibres for optimum power transference



3 LED Lines in the folding arms ¹⁾



4 unique water drainage system and hidden cover pocket in the front profile



5 wall sealing profile, up to a pitch of 25° ¹⁾



1) Optional accessories

Product Characteristics

Description

- extremely robust construction, ideally suited for shading large areas

Special features

- awning with a highly torsion-resistant, round torque bar which gives a certain degree of flexibility when choosing the fixture points
- round, fluid transition from the round torque bar to the round cassette
- optional wireless io-dimmable LED Line lighting in the folding arms which provides uniform illumination under the awning
- cover cassette with arms in front, covered and protected by the valance when closed – even when fully extended, the roller tube is completely protected

Dimensions

- cassette in the standard version: depth 236 mm, height 217 mm
- single unit: minimum width 167 cm at the smallest projection of 150 cm, maximum width 700 cm at the largest projection of 350 cm
- also available as a coupled unit

roller tube and lateral bearings

- round roller tube Ø 85 mm with keyway, galvanised steel – excellent stability, ensures near perfect cover performance even at the largest widths
- roller support bracket made of die-cast aluminium, powder-coated, with integrated, concealed cable duct when motor driven

Awning profiles

- extruded aluminium, in façade quality, powder coated
- cassette in two parts
- circular front profile with integrated gutter
- round torque bar Ø 50 mm, galvanised both inside and out, powder coated

Folding arms

- profiles in extruded aluminium, in façade quality, powder coated
- moving parts made of drop-forged aluminium – the arms are therefore extremely fracture resistant
- pivot bolts in stainless steel run in Teflon-coated bronze bushes - practically maintenance free, virtually silent and extremely hard wearing
- power transference via the innovative bionic tendon at the elbow joint, made of high tensile, hightech fibres – low in friction, noiseless, impervious to corrosion and UV resistant, independently tested by the Fraunhofer Institute
- Articulated arms with LED Line option as standard with markilux Bionic tendon at the elbow joint

End caps

- the roller support bracket insert sections are made of high-quality plastic, powder coated or in a polished chrome finish
- the front profile end caps are made of high-quality plastic, powder-coated or in a polished chrome finish, with water drainage spouts

Fixture brackets

- face fixture, top fixture, eaves fixture
- extruded aluminium, powder coated
- pitch range 5°–25°, infinitely adjustable
- spacer plates, stand-off brackets and other accessories are available

01 **Frame and end cap colours**

markilux frame colours without surcharge

02

traffic white, RAL 9016

metallic aluminium, RAL 9006

grey brown, similar to RAL 8019

03



04

05

06

07

off-white textured finish, 5233 ¹⁾stone grey metallic, 5215 ¹⁾anthracite metallic, 5204 ¹⁾

08

09

10

**11**

12

havana brown textured finish, 5229 ¹⁾

13



14

15

16

off-white textured finish, 5233 ¹⁾
insert and front profile end cap in
polished chromestone grey metallic, 5215 ¹⁾
insert and front profile end cap in
polished chromeanthracite metallic, 5204 ¹⁾
insert and front profile end cap in
polished chrome

17



Combination options – possible in any frame colour.

Non-standard powder-coated finish

Bespoke frame colours incur a surcharge – matt, metallic, finely textured and pearl finishes as well as other colour ranges (DB, Tiger etc.) on request. All frame colours are available at a surcharge with enhanced corrosion protection.

Colours may differ slightly from those depicted in both hue and finish.

1) textured finish

Dimensions and configuration options

Single unit

		Awning width										Minimum width				
		250	300	350	400	450	500	550	600	650	700 ¹⁾	Motor			Crank handle	
Order dimensions		167	251	301	351	401	451	501	551	601	651					
		250	300	350	400	450	500	550	600	650	700					
H	150	2)						3)	3)			180	167	—	182	169
	200	2)						3)	3)			230	217	—	232	219
	250	—	2)					3)				280	267	—	282	269
	300	—	—	2)								330	317	—	332	319
	350	—	—	—	2)						1)	380	367	618	382	369

dimensions in cm

1) = only available with motor drive (surcharge)

2) = please note the minimum widths!

3) = + 1 cassette support bracket

H = projection

= 2 folding arms
2 brackets

= 2 folding arms, 3 brackets
1 cassette support bracket

= 3 folding arms, 4 brackets
2 cassette support brackets

= 2 standard arms

= 2 bespoke arms
(surcharge)

= 3 standard arms

11

Operation

	standard	optional
crank handle	✓	—
spring-assisted crank handle	—	✓
hard-wired motor	—	✓
silentec motor (optionally with an external io / RTS receiver ¹⁾)	—	—
radio-controlled motor io, 868 MHz	—	✓
radio-controlled motor RTS, 433 MHz	—	✓
868 MHz radio-controlled motor io with manual override ¹⁾	—	—

1) For awnings with a maximum of 2 arms

Coupled Awning (only with motor drive)¹⁾

2 fields, 1 motor, maximum width 1390 cm
maximum projection 350 cm
junction roller (one-piece cover not available)

1) N.B! – Important background information can be found in the chapter “General Information”, in the section “Coupled Awnings”

Awning cover

fabric pattern no.	standard	optional
sunvas 300.. - 315..	✓	—
sunsilk 324.. / 328.. / 369..	✓	—
sunbow ¹⁾ 411.. - 427..	✓	—
smart art 340..	—	✓
perla FR 371.. / 372..	—	✓
valance, height 20 cm	✓	—

1) up to max. 300 cm projection available

Shadeplus

not available

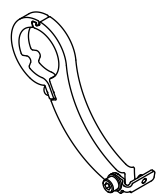
Optional accessories

wall sealing profile (effective up to a maximum awning pitch of 25°); Coverboard when fitted to the markilux panel, in one piece
infrared heater 2500 W
infrared heater 2500 W with integrated radio-controlled receiver 868 MHz Funk io
LED-spotline – light bar 110 × 70 mm with 5 W LED-spotlights, 180 cm / 3 spots or 300 cm / 5 spots
LED spotline io – light bar 110 × 70 mm with 5 W LED spotlights with integrated dimmable radio-controlled receiver, width 180 cm / 3 spots or 300 cm / 5 spots
LED Lines in the folding arms
automatic controls (light, wind, rain)

N.B. Important background information can be found in the chapter “Optional Accessories”

Fixture options

face fixture bracket 100 mm	70867.
face fixture bracket 45 mm	71813.
fixture plate A 430 × 160 × 12 mm	75326.
fixture plate B 300 × 400 × 12 mm	75325.
markilux panel 250 × 230 × 49 mm	76308.
markilux panel continuous	701104.
stand-off bracket 80–300 mm	77968.
stand-off bracket 80–300 mm	77967.
top fixture bracket 90 mm	70868.
top fixture bracket 45 mm	71818.
eaves fixture bracket 90 mm plate: 150 mm	71612.
eaves fixture bracket 90 mm plate: 270 mm	71659.
angle and plate for eaves fixture machine finish aluminium, plate 500 mm	716620
spreader plate 260 × 60 × 12 mm for eaves fixture bracket	75383.

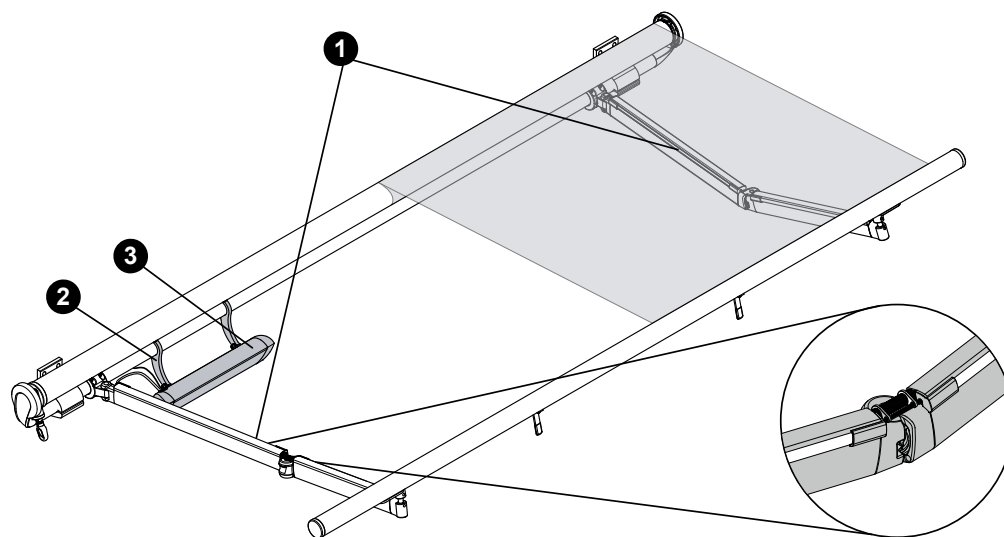
Lighting options**LED Lines in the folding arms**

fixture to a round torque bar, Ø 50 mm
incl. clamp plate

76972.

After fitting the awning, the E-box is to be attached on the drive side to the torque bar between the folding arms – it is attached on the bearing side only when the awning has a shadeplus with motor. For coupled awnings, the E-box must be attached in the area near the coupling point.

Power is supplied to the E-box through a cable duct attached to the torque bar.

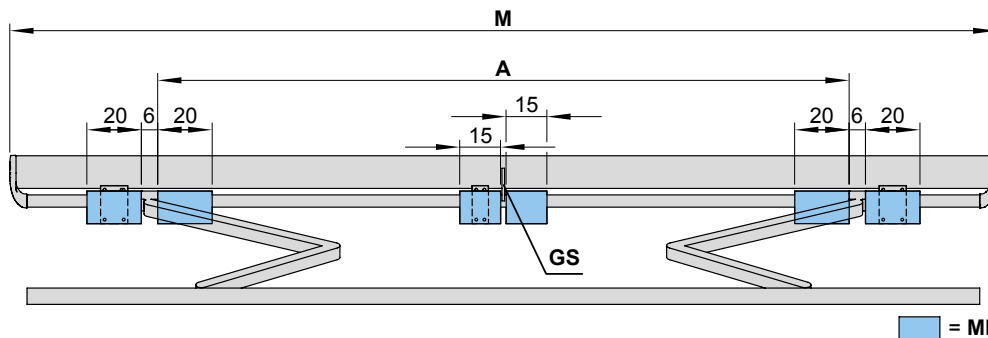
**Technical specification**

operating voltage	230 V, 50 Hz
power output per metre	8 W / metre
number of LEDs per metre	150 LEDs / metre
light source	LED (12 V)
light temperature	warm white
IP protection class	IP 67
service life	ca. 15.000 h

- 1 = LED Line in the folding arms
- 2 = E-Box bracket (76972.)
- 3 = additional E-Box

Bracket fixture range

Awning with 2 folding arms



dimensions in cm

		Awning width								
		250	300	350	400	450	500	550	600	650
Order dimensions		180	251	301	351	401	451	501	551	601
		250	300	350	400	450	500	550	600	650
		Arm position A								
H	150	154 ¹⁾	210	240	280	320	390	425	460	500
	200	204 ²⁾	210 ¹⁾	240	280	320	390	425	460	500
	250	—	254 ²⁾	260 ¹⁾	280	320	390	425	460	500
	300	—	—	304 ²⁾	310 ¹⁾	320	390	425	460	500
	350	—	—	—	354 ²⁾	360 ¹⁾	390	425	460	—
		No. of brackets No. of fixing points								
W	BHT									
	4,5	—						1 2		
	10	2 6						2 6		
BP		A 2 16 B 2 8						A 2 16 B 2 8		
DP		—						1		
PA		2 8						3 12		
DE	BHT									
	4,5	—						1 2		
	9	2 8						2 8		
DA		2 8						3 12		

dimensions in cm

If the brackets cannot be positioned in accordance with this table, make sure the actual dimensions are noted on the order form!

1) = coupled awnings are available in intermediate widths with a junction roller on request

2) = please note the minimum widths! Dimension A is only valid for standard arms! In the case of bespoke arms: A minus 13 cm. In the case of small awnings the brackets can only be fitted inside the arms, i.e. the position denoted by measurement A.

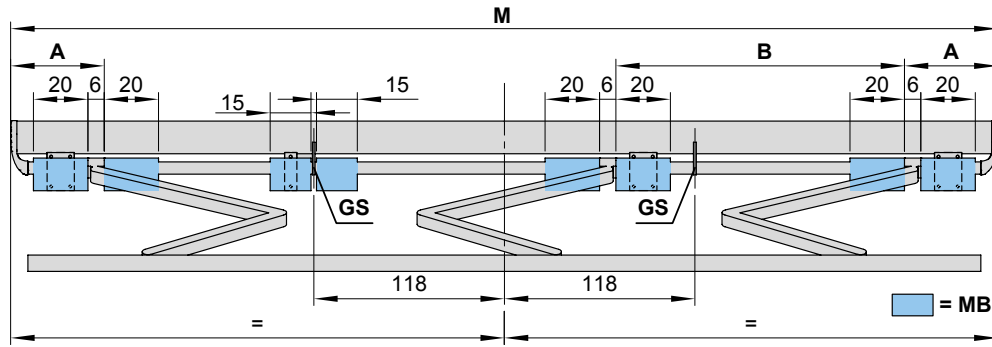
Coupled units are not available with a junction roller.

The **pull-out forces** necessary for determining the correct fixing materials necessary to meet wind resistance class 2 (Beaufort 5) can be found in the password-protected dealer area of the pro.markilux.com website under "Pull-out Forces".

- A = arm position
- BHT = bracket width
- BP = spreader plate A or B, to be positioned behind the folding arm
- DA = eaves fixture brackets
- DE = top fixture brackets
- DP = spacer plate 71826., to be positioned behind the rolltex bearing, in the case of spreader plate A or B
- GS = cassette support bracket
- H = order dimension = projection
- M = order width = awning width
- MB = bracket fixture range
- PA = markilux panel, fixture profile, width 250 mm
- W = face fixture brackets

Bracket fixture range

Awning with 3 folding arms



dimensions in cm

		Awning width			
		650		700	
Order dimensions		618	651	675	690
		650	674	689	700

		Arm position							
		A	B	A	B	A	B	A	B
H	150	—	—	55	235	55	245	55	245
	200	—	—	55	225	55	235	55	235
	250	—	—	55	215	55	225	55	225
	300	—	—	45	210	55	215	55	215
	350	13 ¹⁾	215 ¹⁾	23 ¹⁾	215 ¹⁾	31 ¹⁾	225 ¹⁾	38	225

		No. of brackets No. of fixing points	
W	BHT		
	4,5	1 2	
	10	3 9	
BP		A 3 24 B 3 12	
DP		1	
PA		4 16	
DE	4,5	1 2	
	9	3 12	
DA	9	4 16	

dimensions in cm

If the brackets cannot be positioned in accordance with this table, make sure the actual dimensions are noted on the order form.

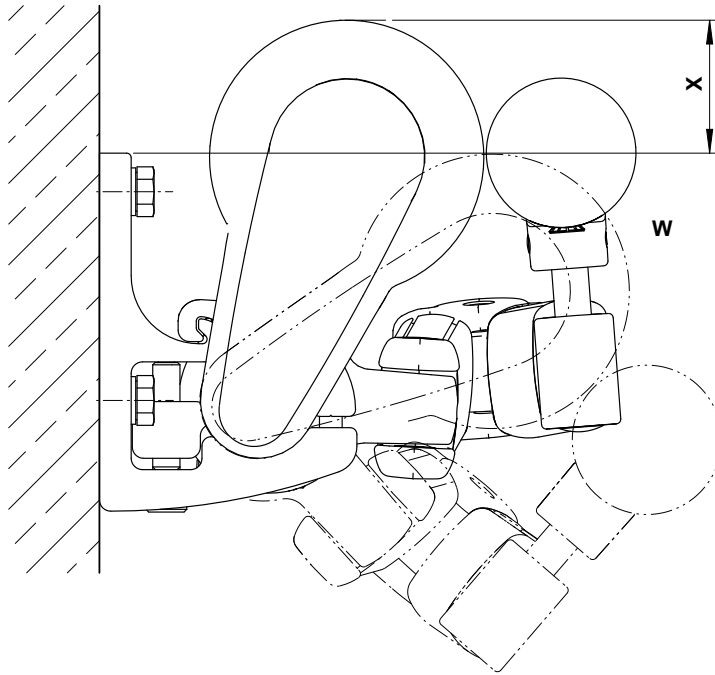
1) = coupled units are not available with a junction roller

The **pull-out forces** necessary for determining the correct fixing materials necessary to meet wind resistance class 2 (Beaufort 5) can be found in the password-protected dealer area of the pro.markilux.com website under "Pull-out Forces".

- A** = arm position
- BHT** = bracket width
- BP** = spreader plate **A** or **B**, to be positioned behind the folding arm
- DA** = eaves fixture brackets
- DE** = top fixture brackets
- DP** = spacer plate 71826., to be positioned behind the rolltex bearing, in the case of spreader plate **A** or **B**
- GS** = cassette support bracket
- H** = **order dimension** = projection
- M** = **order dimension** = awning width
- MB** = bracket fixture range
- PA** = markilux panel, fixture profile, width 250 mm
- W** = face fixture brackets

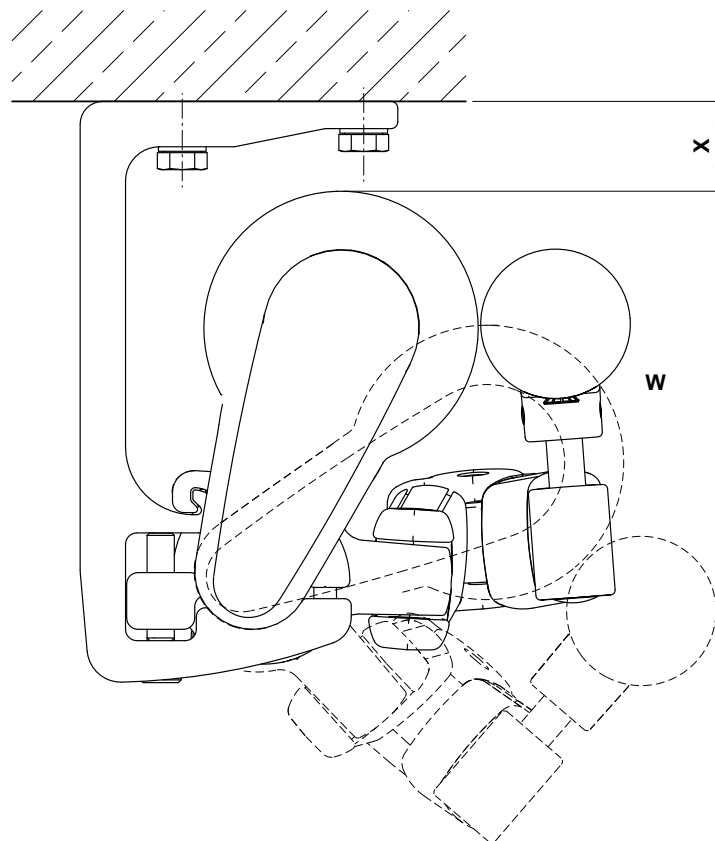
Overall unit height at different pitch settings

Face fixture



pitch (W)	approx. height in mm (x)
5°	59
10°	55
15°	50
20°	45
25°	39

Top fixture

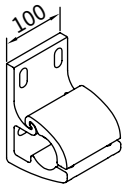


pitch (W)	approx. height in mm (x)
5°	40
10°	44
15°	48
20°	54
25°	60

01
02
03
04
05
06
07
08
09
10
11
12
13
14
15
16
17

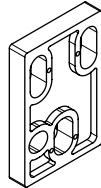
Face fixture

Fixtures, fittings and accessories



face fixture bracket
100 mm

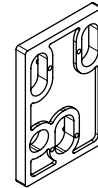
70867.



spacer plate
100 × 150 × 20 mm

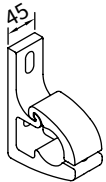
N.B.!
Stack to a max. height
of 200 mm

758831



spacer plate
100 × 150 × 12 mm

758841



face fixture bracket
45 mm

for installation in the
centre, depends on the
width

71813.



spacer plate for face
fixture
45 × 150 × 20 mm

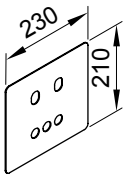
N.B.!
Stack to a max. height
of 200 mm

718251



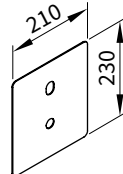
spacer plate for face
fixture
45 × 150 × 12 mm

71826.



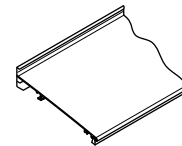
cover plate for spacer
plate and stand-off
brackets in the case of
external insulation
230 × 210 × 2 mm

71843.



cover plate
for spacer plate and
stand-off brackets in
the case of external
insulation
210 × 230 × 2 mm

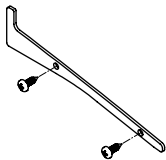
71844.



wall sealing profile
incl. brush seal

by the metre

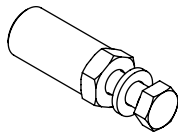
76385. and 704241.



side plate
for wall sealing profile

including 2 pan-head
self-tapping screws

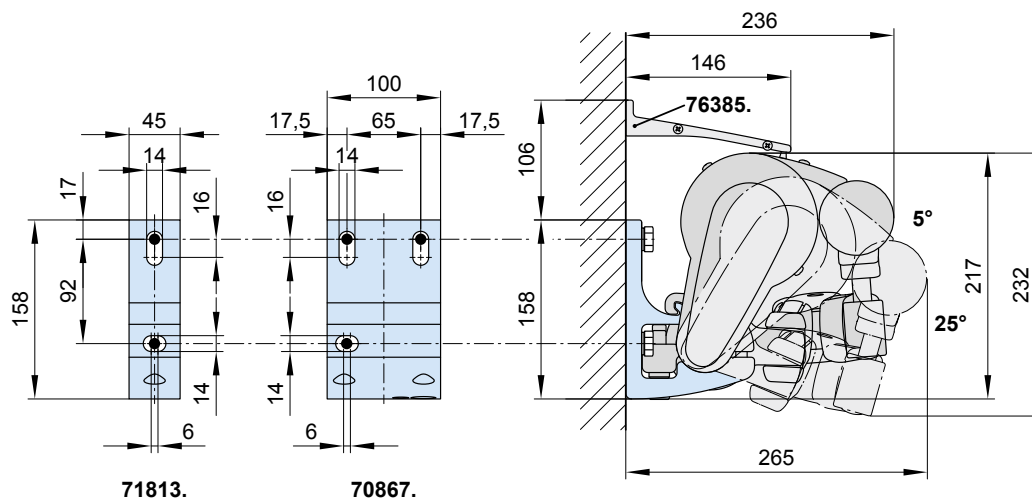
76386. and 2 × 735611



reduction bolt

pack 10 pcs

M 16 → M 12 | M 16 → M 10 | M 12 → M 10 | M 10 → M 10

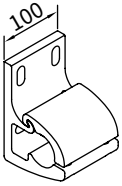
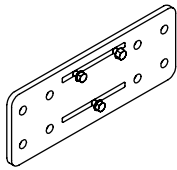
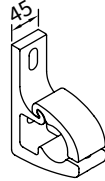

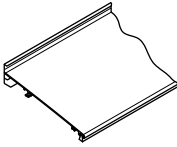
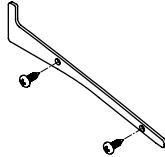
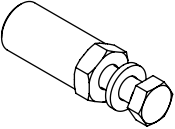


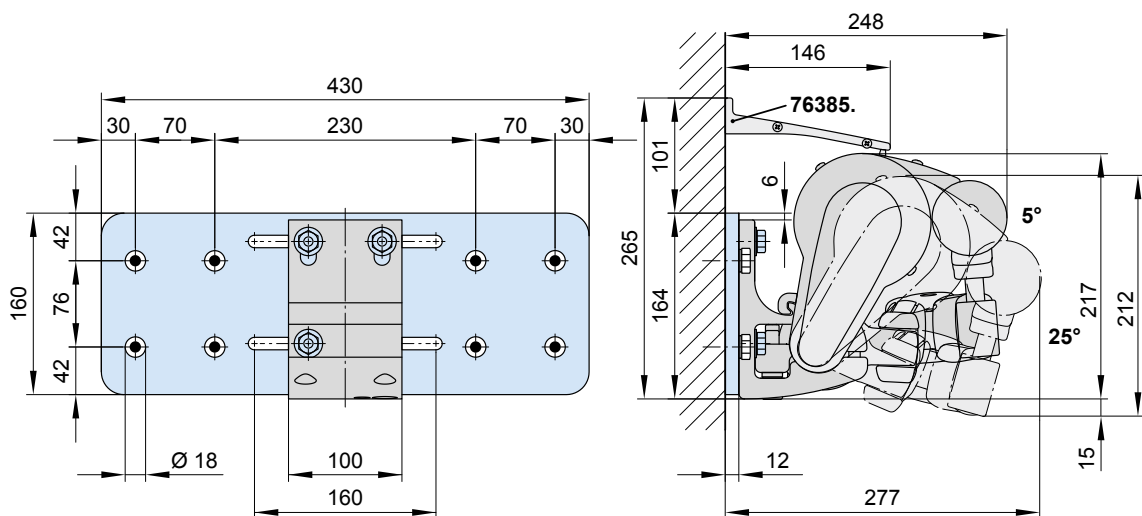
76385. = wall sealing profile (standard width = awning width (M); up to a maximum awning pitch of 25°)

dimensions in mm

Face fixture with spreader plate A

Fixtures, fittings and accessories

 <p>face fixture bracket 100 mm</p> <p>70867.</p>	 <p>spreader plate A face fixture 430 × 160 × 12 mm</p> <p>75326.</p>	 <p>face fixture bracket 45 mm</p> <p>for installation in the centre, depends on the width</p> <p>71813.</p>
 <p>spacer plate for face fixture 45 × 150 × 12 mm</p> <p>71826.</p>	 <p>wall sealing profile incl. brush seal by the metre</p> <p>76385. and 704241.</p>	 <p>side plate for wall sealing profile</p> <p>including 2 pan-head self-tapping screws</p> <p>76386. and 2 × 735611</p>
 <p>reduction bolt pack 10 pcs</p> <p>M 16 → M 12 M 16 → M 10 M 12 → M 10 M 10 → M 10</p>		



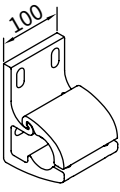
76385. = wall sealing profile (standard width = awning width (M); up to a maximum awning pitch of 25°)

dimensions in mm

01
02
03
04
05
06
07
08
09
10
11
12
13
14
15
16
17

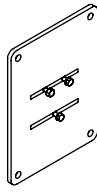
Face fixture with spreader plate B

Fixtures, fittings and accessories



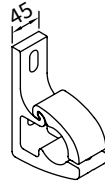
face fixture bracket
100 mm

70867.



spreader plate B face
fixture
300 × 400 × 12 mm

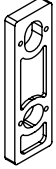
75325.



face fixture bracket
45 mm

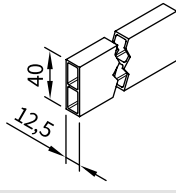
for installation in the
centre, depends on the
width

71813.



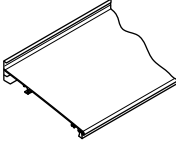
spacer plate for face
fixture
45 × 150 × 12 mm

71826.



stand-off strip
for wall sealing
by the metre

751971



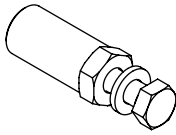
wall sealing profile
incl. brush seal
by the metre

76385. and 704241.



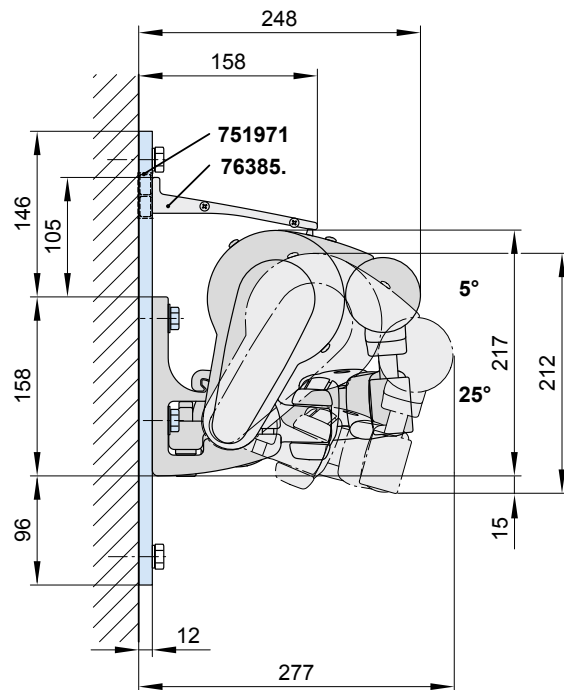
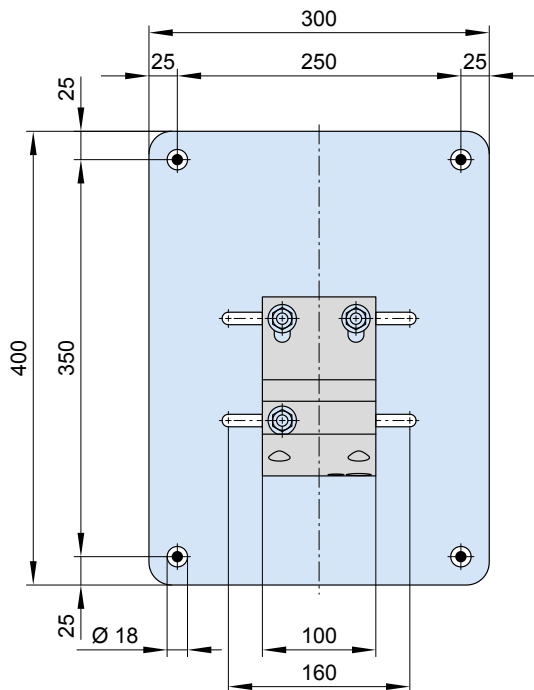
side plate
for wall sealing profile
including 2 pan-head
self-tapping screws

76386. and 2 × 735611



reduction bolt
pack 10 pcs

M 16 → M 12 | M 16 → M 10 | M 12 → M 10 | M 10 → M 10



751971 = stand-off strip for wall sealing profile

76385. = wall sealing profile (standard width = awning width (M); up to a maximum awning pitch of 25°)

dimensions in mm

Face fixture using the markilux panel 250 mm wide

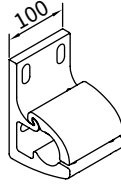
Fixtures, fittings and accessories



markilux panel
250 × 230 × 49 mm

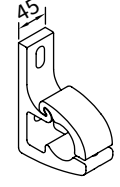
with decorative profiles
and end caps

76308.



face fixture bracket
100 mm

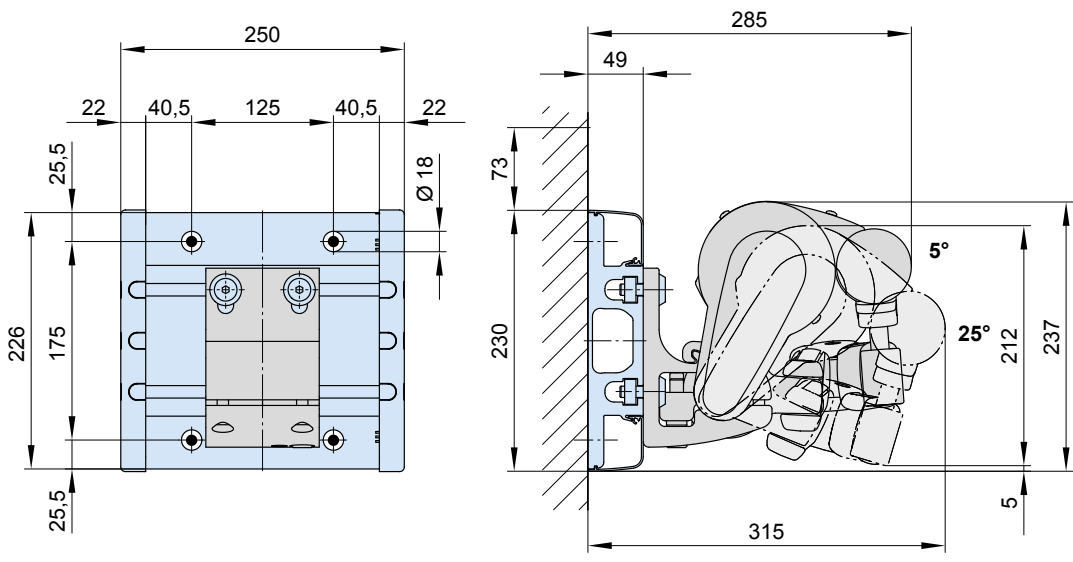
70867.



face fixture bracket
45 mm

for installation in the
centre, depends on the
width

71813.

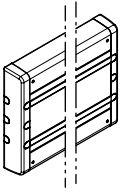
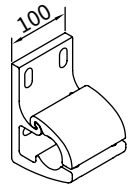
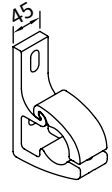
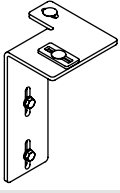
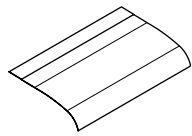
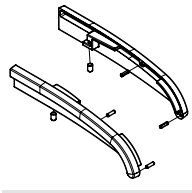


dimensions in mm

01
02
03
04
05
06
07
08
09
10
11
12
13
14
15
16
17

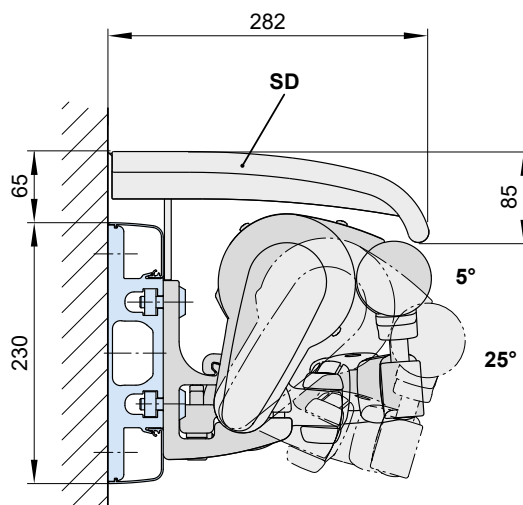
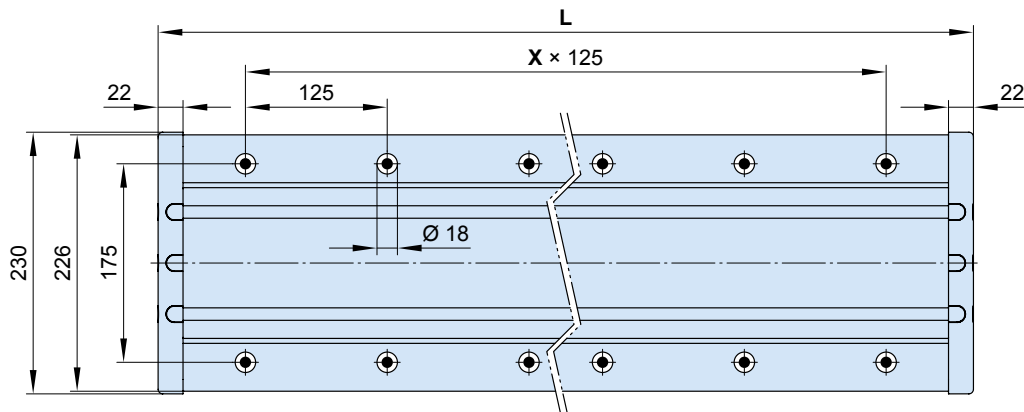
Face fixture with markilux panel continuous

Fixtures, fittings and accessories

 <p>markilux panel continuous with decorative profiles and end caps</p> <p>701104</p>	 <p>face fixture bracket 100 mm</p> <p>70867.</p>	 <p>face fixture bracket 45 mm for installation in the centre, depends on the width</p> <p>71813.</p>
 <p>bracket coverboard</p> <p>76390.</p>	 <p>coverboard incl. additional profile and rubber sealing strip</p> <p>72015., 72019., 75970.</p>	 <p>side cover profile coverboard left and right</p> <p>60915. and 60916.</p>

As a **continuous fixture profile** the markilux panel will always be supplied to order on the basis of a technical drawing prepared in the factory in accordance with the awning specification.

11

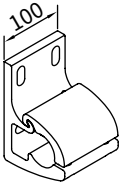


- L = individual width, max. 7000 mm
- SD = coverboard
- x = fixing point separation, **by way of example**

dimensions in mm

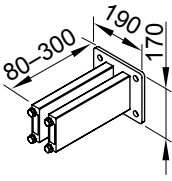
Face fixture with stand-off bracket

Fixtures, fittings and accessories



face fixture bracket
100 mm

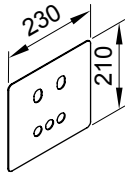
70867.



stand-off bracket
for face fixture
bracket 70867.

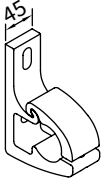
80-300 mm
incl. insulating
element

77968.



cover plate for spacer
plate and stand-off
brackets in the case of
external insulation
230 × 210 × 2 mm

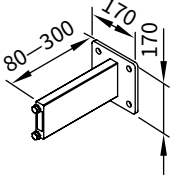
71843.



face fixture bracket
45 mm

for installation in the
centre, depends on the
width

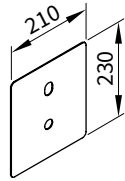
71813.



Stand-off bracket
for face fixture
bracket

80-300 mm
incl. insulating
element

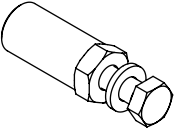
77967.



cover plate
for spacer plate and
stand-off brackets in
the case of external
insulation

210 × 230 × 2 mm

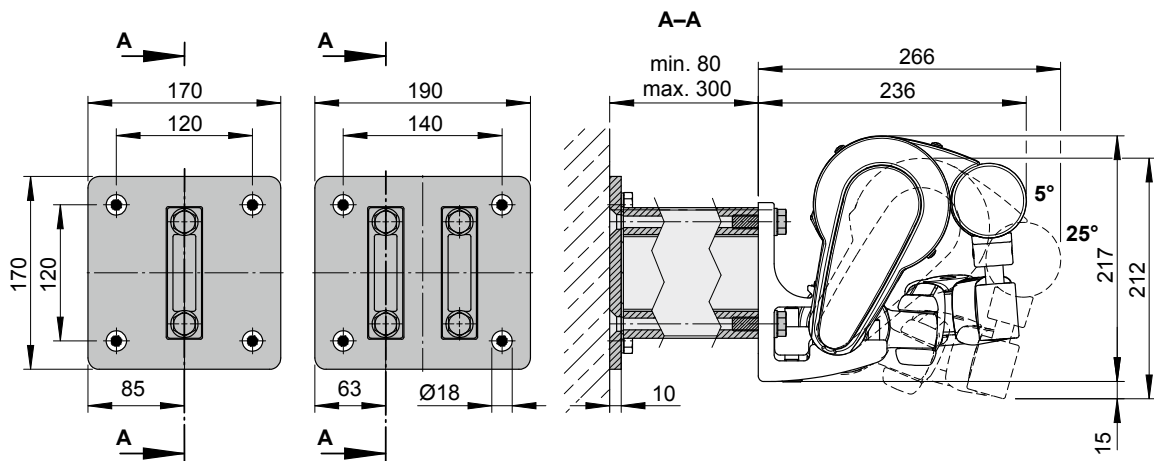
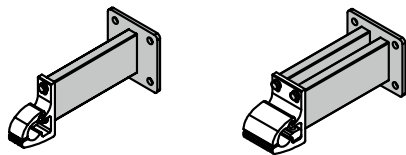
71844.



reduction bolt
M 16 → M 12 / SW 27

50 mm

M 16 → M 12 | M 16 → M 10 | M 12 → M 10 | M 10 → M 10

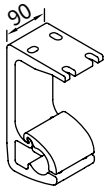


dimensions in mm

01
02
03
04
05
06
07
08
09
10
11
12
13
14
15
16
17

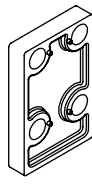
01 Top fixture

02 Fixtures, fittings and accessories



top fixture bracket
90 mm

70868.



spacer plate for top
fixture
90 × 140 × 20 mm

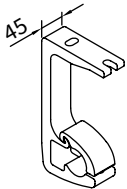
N.B!
Stack to a max. height
of 200 mm

716311



spacer plate
for top fixture
90 × 140 × 12 mm

716411



top fixture bracket
45 mm

additional bracket for
3 folding arms

71818.



spacer plate for top
fixture
45 × 140 × 20 mm

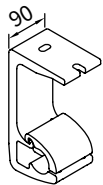
N.B!
Stack to a max. height
of 200 mm

716261



spacer plate for top
fixture
45x 140 x 12 mm

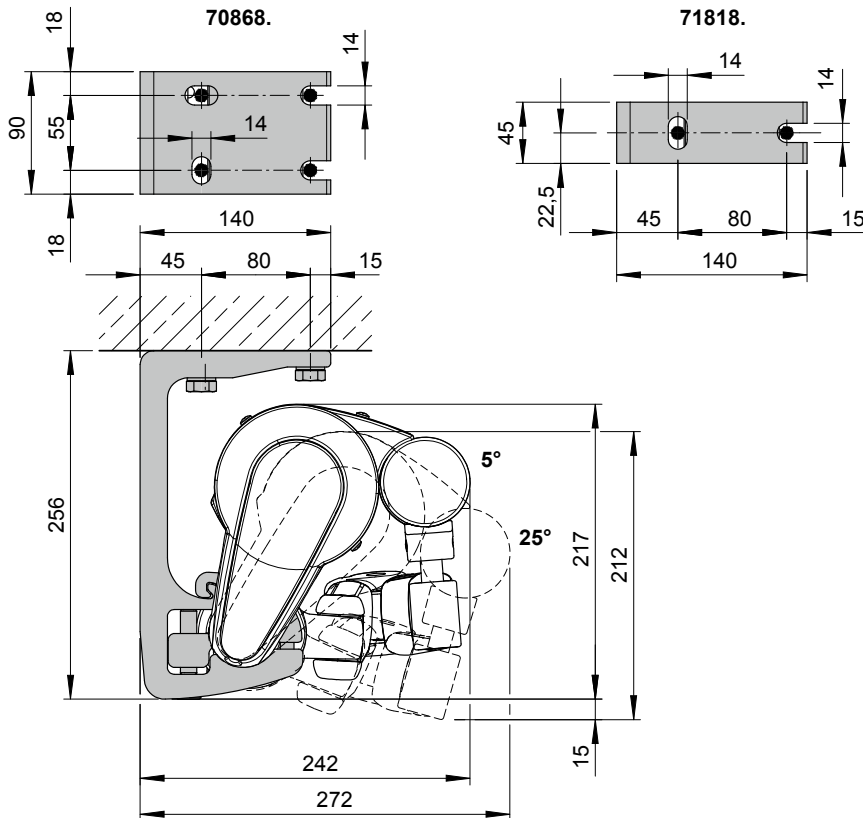
716371



top fixture bracket
for central fixture

N.B! The pull-out
forces are double those
of top fixture bracket
70868.

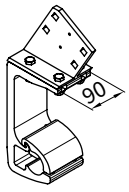
70869.



dimensions in mm

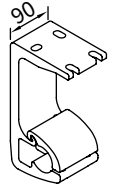
Eaves fixture

Fixtures, fittings and accessories



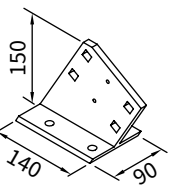
eaves fixture bracket complete
90 mm
height of flat plate
150 mm

70871.



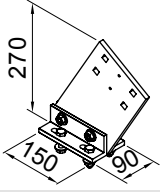
top fixture bracket
90 mm

70868.



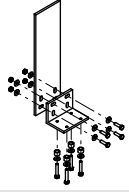
eaves fixture bracket
90 mm
height of flat plate
150 mm

71612.



eaves fixture bracket
90 mm
height of flat plate
270 mm

71659.

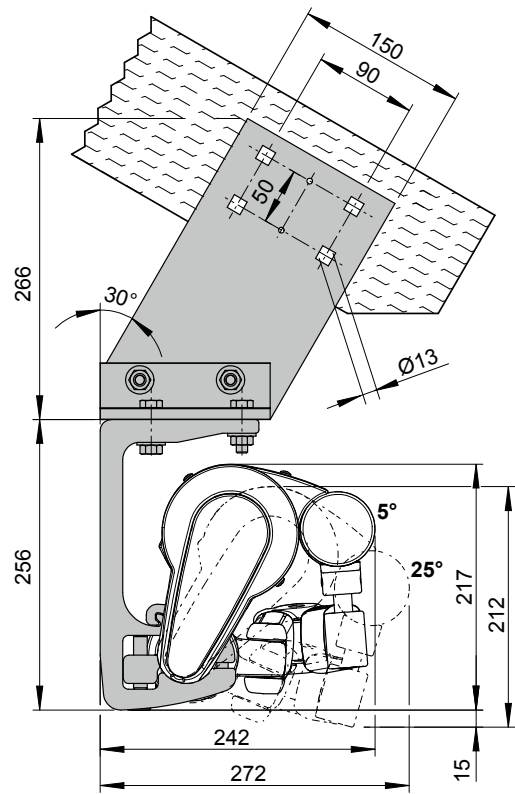
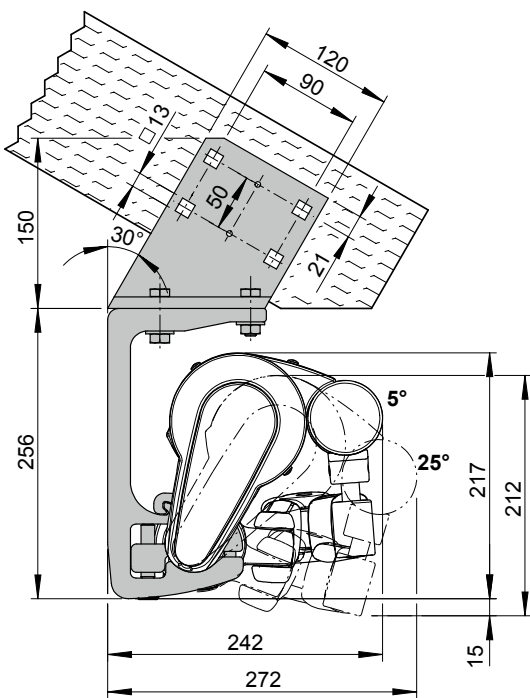


angle and plate for
eaves fixture
height of plate 500 mm
machine finish

716620

With eaves fixture bracket 150 mm (71612.)

With eaves fixture bracket, 270 mm (71659.)

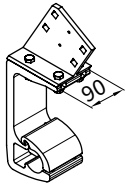


dimensions in mm

01
02
03
04
05
06
07
08
09
10
11
12
13
14
15
16
17

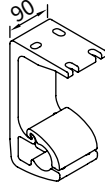
Eaves fixture with additional plate

Fixtures, fittings and accessories



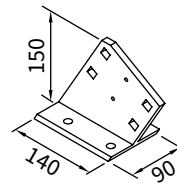
eaves fixture bracket complete
90 mm
height of flat plate
150 mm

70871.



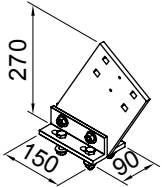
top fixture bracket
90 mm

70868.



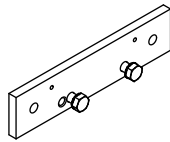
eaves fixture bracket
90 mm
height of flat plate
150 mm

71612.



eaves fixture bracket
90 mm
height of flat plate
270 mm

71659.



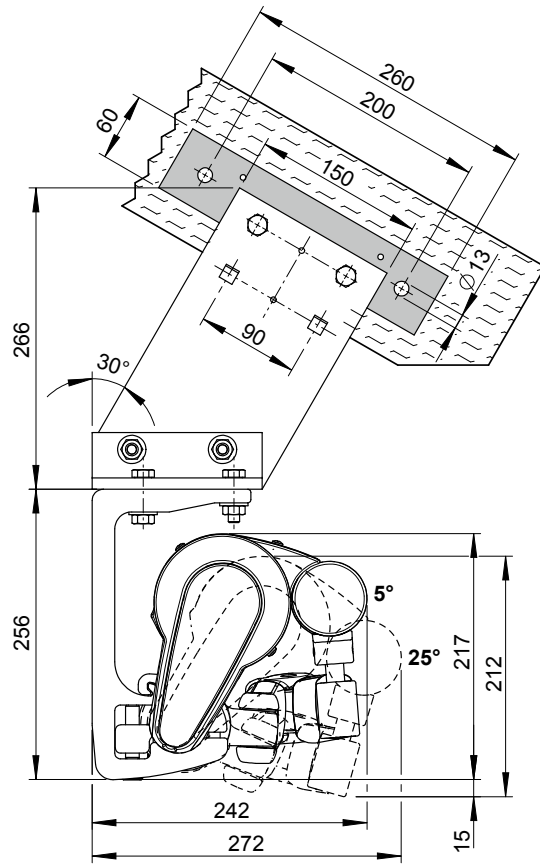
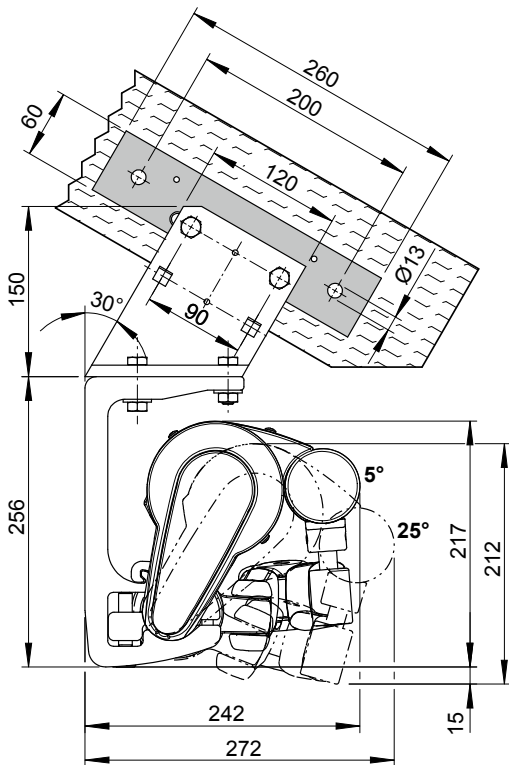
supplementary flat plate
for eaves fixture
260 × 60 × 12 mm

75383.

11

With eaves fixture bracket 150 mm (71612.)

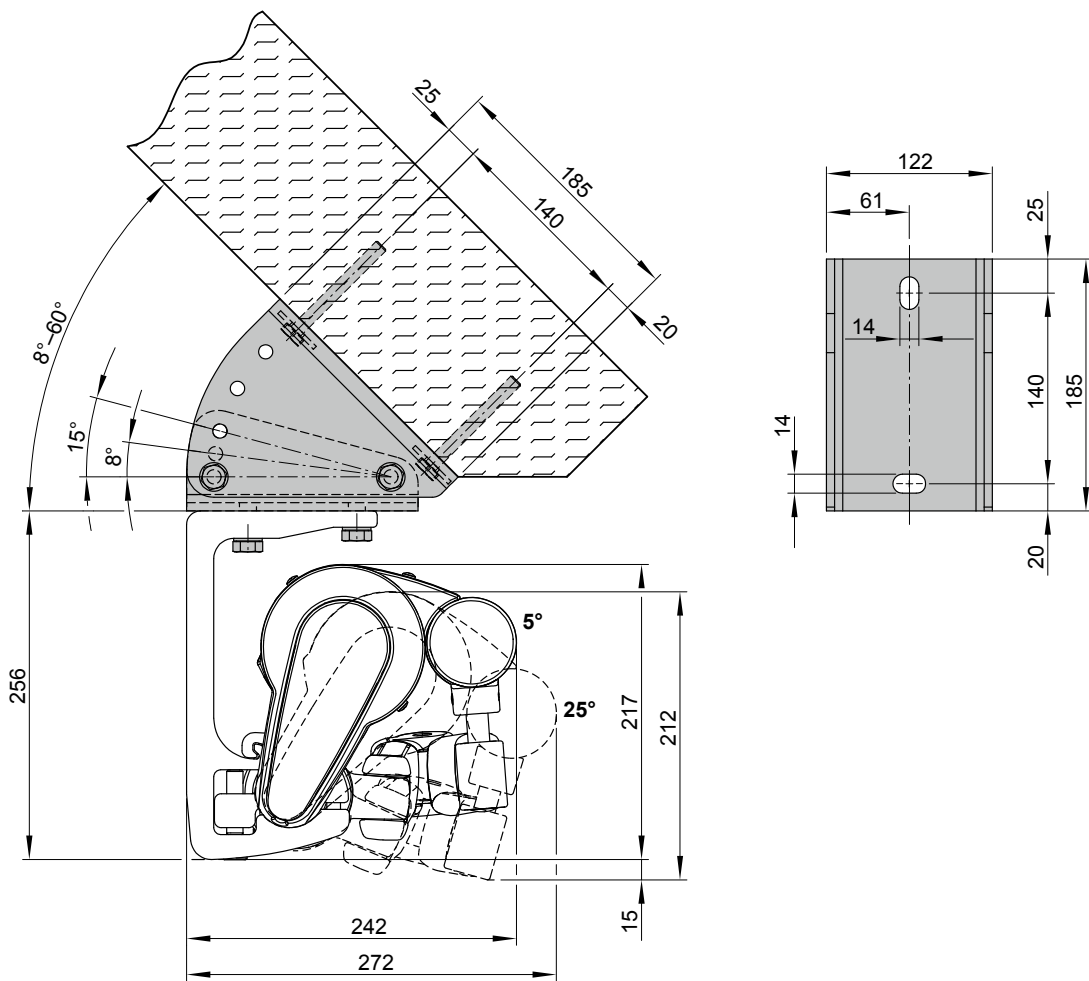
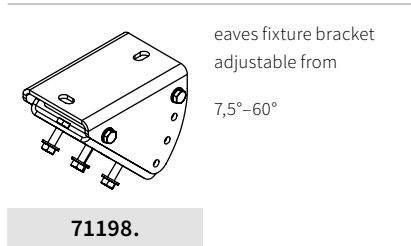
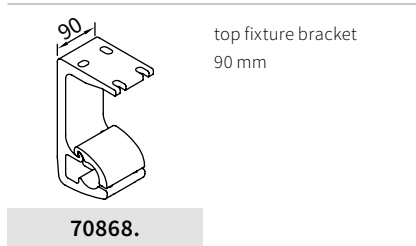
With eaves fixture bracket 270 mm (71659.)



dimensions in mm

Eaves fixture with adjustable eaves fixture bracket

Fixtures, fittings and accessories

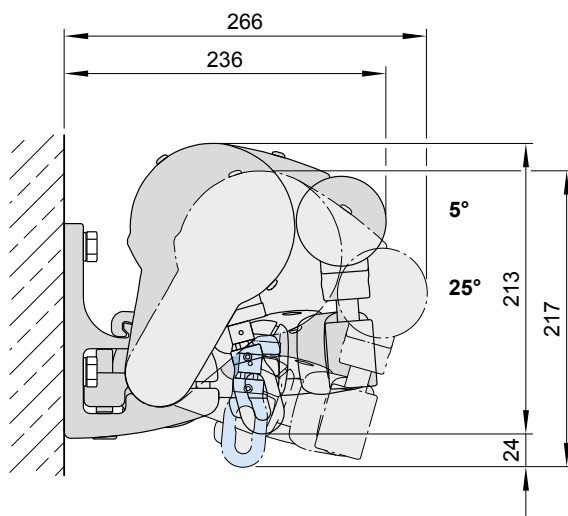


dimensions in mm

01
02
03
04
05
06
07
08
09
10
11
12
13
14
15
16
17

01 **Face fixture, manual operation**

02 Dimensions at pitches between 5°-25°



11

12

13

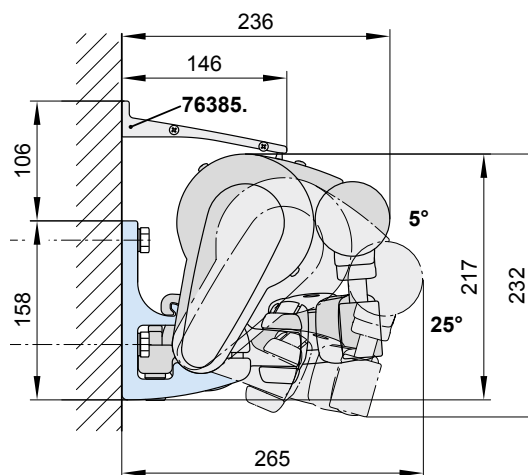
14 **Face fixture with wall sealing profile**

15 max. pitch 25°

16

17

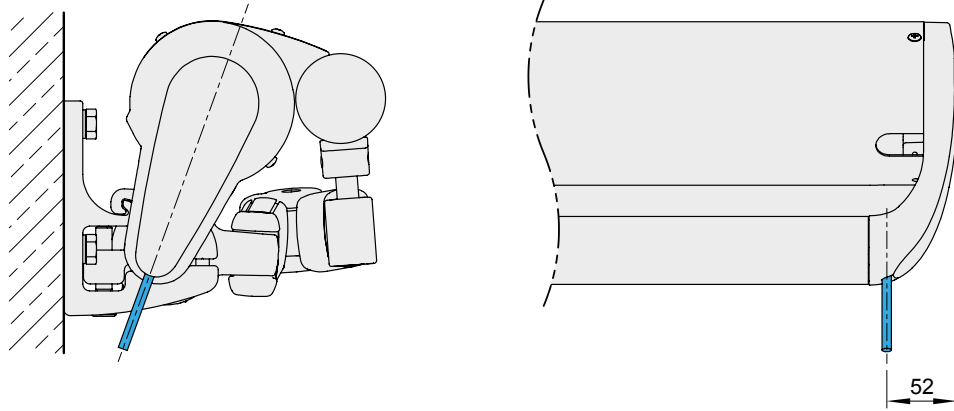
pitch (W)	approx. height in mm (x)
5°	106
10°	102
15°	99
20°	96
25°	90



76385. = wall sealing profile (standard width = awning width (M) up to a maximum awning pitch of 25°)

dimensions in mm

Motor cable exit point



- 01
- 02
- 03
- 04
- 05
- 06
- 07
- 08
- 09
- 10
- 11**
- 12
- 13
- 14
- 15
- 16
- 17

dimensions in mm

01

02

03

04

05

06

07

08

09

10

11

12

13

14

15

16

17