



Open style folding-arm awning

markilux 1700 stretch

The classic torque bar awning with a designer look. Technology laid bare with an award-winning appearance. Large projections at limited widths – the perfect solution for narrow reveals, balconies and patios.



reddot design award
winner 2012



German
Design Award
NOMINEE 2014

markilux.com

markilux

safe timeless beautiful

Product characteristics

Wind resistance class 2

Beaufort 5 → 7.5–10.4 m/s → 28–37 km/h → 17–23 mph

01
02
03
04
05
06
07
08
09
10
11
12
13
14
15
16
17



1 face fixture



1 face fixture, maximum pitch of 25°



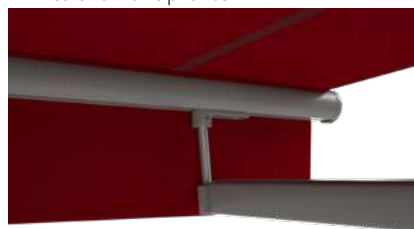
1 top fixture



2 folding arm suspended from the torque bar



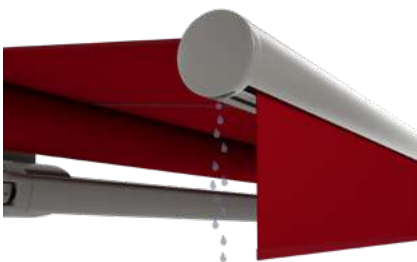
3 connection of the lower folding arm to the front profile



4 bionic tendon made of high-tech fibres for optimum power transference



5 special water drainage method and cover pocket hidden in the front profile



aluminium coverboard 1)



1) optional configuration

Product characteristics

Description

- open folding-arm awning with special arm technology ideally suited for shading areas with greater depth than width.

Special features

- awning with an extremely torsion-resistant, round torque
- round, fluid transition from the round torque bar to the round roller tube
- the tiered arms make greater projections than widths possible
- ingenious pitch adjustment – the angle of the awning is adjusted via the fixture bracket

Dimensions

- cassette in the standard version: depth 240 mm, height 289 mm
- single unit: minimum width 123 cm at the smallest projection of 150 cm minimum width 248 cm at the largest projection of 400 cm

Roller tube and lateral bearings

- round roller tube Ø 85 mm with keyway, galvanised steel – excellent stability ensures near perfect cover performance even at the largest widths
- the roller support bracket is made of die-cast aluminium, powder coated, with integrated hidden cable canal when motor driven

Awning profiles

- extruded aluminium, in façade quality, powder coated
- circular front profile with integrated gutter
- round steel torque bar Ø 50 mm, galvanised both inside and out, powder coated

Folding arms

- profiles in extruded aluminium, in façade quality, powder coated
- moving parts made of drop-forged aluminium – the arms are therefore extremely fracture resistant
- pivot bolts in stainless steel run in Teflon-coated bronze bushes – practically maintenance free, virtually silent and extremely hard-wearing
- Power transference via the innovative bionic tendon at the elbow joint, made of high tensile, hightech fibres – low in friction, noiseless, insensitive to corrosion and UV resistant, independently tested by the Fraunhofer Institute

Side caps

- the roller support bracket insert sections are made of high-quality plastic, powder coated or in a polished chrome finish
- the front profile end caps are made of high-quality plastic, powder coated or with a polished chrome finish, with water drainage holes

Fixture brackets

- face fixture, top fixture, eaves fixture
- extruded aluminium, powder coated
- pitch range 5°–25°, infinitely adjustable
- spacer plates, stand-off brackets and other accessories are available

01 **Frame and end cap colours**

markilux frame colours without surcharge

02 traffic white RAL 9016

metallic aluminium RAL 9006

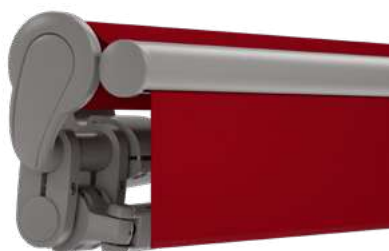
grey brown, similar to RAL 8019



07 off-white textured finish, 5233 ¹⁾

stone grey metallic, 5215 ¹⁾

anthracite metallic, 5204 ¹⁾



11 Havana brown textured finish, 5229 ¹⁾



15

16 off-white textured finish, 5233 ¹⁾

stone grey metallic, 5215 ¹⁾
insert and front profile end cap
in polished chrome

anthracite metallic, 5204 ¹⁾
insert and front profile end cap
in polished chrome

17 insert and front profile end cap
in polished chrome



Combination options – possible in any frame colour

Non-standard powder-coated finish









Bespoke frame colours at a surcharge – matt, metallic and pearl finishes as well as other colour ranges (DB, Tiger etc.) on request. All frame colours are available at a surcharge with enhanced corrosion protection.

1) textured finish

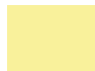
Colours may differ slightly from those depicted in both hue and finish.


Dimensions and configuration options


Single unit

	Overall awning width								Minimum width			
	150	175	200	225	250	300	350	400	Motor		Crank handle	
Order dimensions	123 150	151 175	176 200	201 225	226 250	251 300	301 350	351 400	 	 	 	 
H	150	200	250	300	350	400 ³⁾						
	2)	2)	1)	—	—	—	—	—	130	123	132	125
	—	2)	—	—	1)	—	—	—	155	148	157	150
	—	—	2)	—	—	1)	—	—	180	173	182	175
	—	—	2)	—	—	—	1)	—	205	198	207	200
	—	—	—	2)	—	—	1)	1)	230	223	232	225
	—	—	—	—	—	—	—	—	255	248	257	250

- 1) = intermediate width on request
- 2) = observe the minimum widths!
- 3) = only available with motor drive (surcharge)
- H = projection

 = 2 folding arms, 2 brackets

 = 2 standard arms

 = 2 bespoke arms (surcharge)

dimensions in cm

Operation	standard	optional
crank handle	✓	—
spring-assisted crank handle	—	✓
hard-wired motor	—	✓
silentec motor (optionally with an external io / RTS receiver) ¹⁾	—	—
radio-controlled motor io, 868 MHz	—	✓
radio-controlled motor RTS, 433 MHz	—	✓
radio-controlled motor RTS, 433 MHz with manual override ¹⁾	—	—

1) for awnings with a maximum of 2 arms

Coupled Awning
not available

Awning cover	fabric range no.	standard	optional
sunvas	301.. / 309..-315..	✓	—
perla	370 ..	—	✓
sunsilk	324.. / 325.. / 328.. / 369..	✓	—
perla FR	374.. / 375..	—	✓
perfotex	331.. / 332..	—	—
transolair	338..	—	—
vuscreen Alu	317..	—	—
Soltis Perform 92	92-20..	—	—
glass fibre screen	272..	—	—
valance, height 25 cm		✓	—

Shadeplus / drop valance
not available

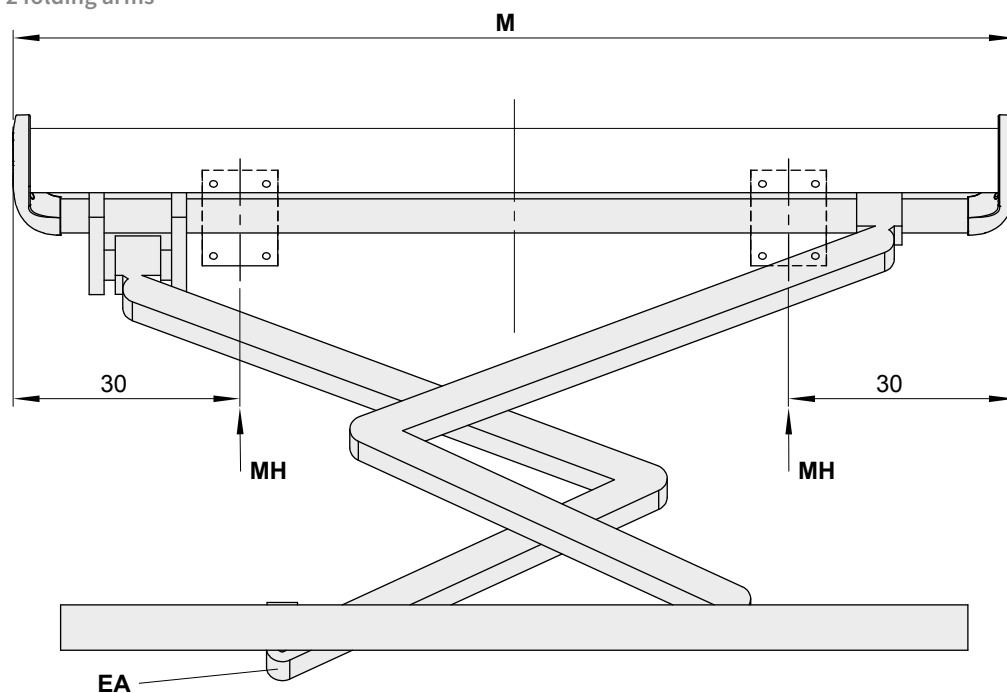
01	Optional accessories
02	aluminium coverboard
03	infrared heater 2500 W
04	infrared heater 2500 W with integrated radio-controlled receiver 868 MHz io
05	LED spotline – light bar 110 × 70 mm with 5 W LED spotlights, width 180 cm / 3 spots or 300 cm / 5 spots
06	LED spotline io – light bar 110 × 70 mm with 5 W LED spotlights with integrated dimmable radio-controlled receiver, width 180 cm / 3 spots or 300 cm / 5 spots
07	automatic controls (light, wind, rain)

N.B! Important background information can be found in the chapter “Optional Accessories”.

Fixture options	
wall bracket 100 mm	70867.
spreader plate A 430 × 160 × 12 mm	75326.
spreader plate B 300 × 400 × 12 mm	75325.
markilux panel 250 × 230 × 49 mm	76308.
markilux panel continuous	76380.
stand-off bracket wide 80–300 mm	77968.
top fixture bracket 90 mm	70868.
eaves fixture bracket 90 mm, 150 mm plate	71612.
eaves fixture bracket 90 mm, 270 mm plate	71659.
flat plate and angled bracket for eaves fixture, machine finish, 500 mm	716620
spreader plate 260 × 60 × 12 mm for eaves fixture bracket	75383.

Bracket fixture range

Awning with 2 folding arms



dimensions in cm

		Overall awning width							
		150	175	200	225	250	300	350	400
Order dimensions		123	151	176	201	226	251	301	351
		150	175	200	225	250	300	350	400
BHT		No. of brackets No. of fixing points							
W	10	2 6							
BP		A 2 16				B 2 8			
PA		2 8							
DE	9	2 8							
DA	9	2 8							

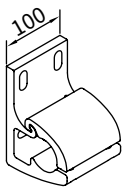
dimensions in cm

The **pull-out forces** necessary for determining the correct fixing materials necessary to meet wind resistance class 2 (Beaufort 5) can be found in the password-protected dealer area of the markilux.com website under "Pull-out Forces".

- BHT** = bracket width
- BP** = spreader plate A or B, to be positioned behind the folding arm
- DA** = eaves fixture bracket
- DE** = top fixture bracket
- EA** = operation side (opposite the tiered folding arm)
- M** = *order dimension* = awning width
- MH** = bracket centre
- PA** = markilux panel, fixture profile, width 250 mm
- W** = face fixture bracket

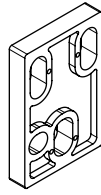
Face fixture

Fixtures, fittings and accessories



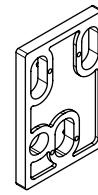
face fixture bracket
100 mm

70867.



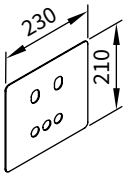
spacer plate
100 × 150 × 20 mm
N.B!
Stack to a max. height of 200 mm

758831



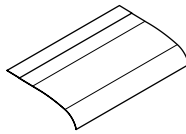
spacer plate
100 × 150 × 12 mm

758841



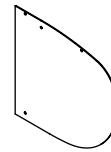
cover plate
for spacer plate
and stand-off brackets
in the case of external
insulation
230 × 210 × 2 mm

71843.



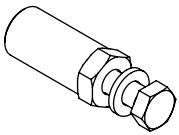
Coverboard incl. addi-
tional profile and rubber
sealing strip

72015., 72019., 75970.



End cheeks for
the coverboard,
282 × 87 × 2 mm

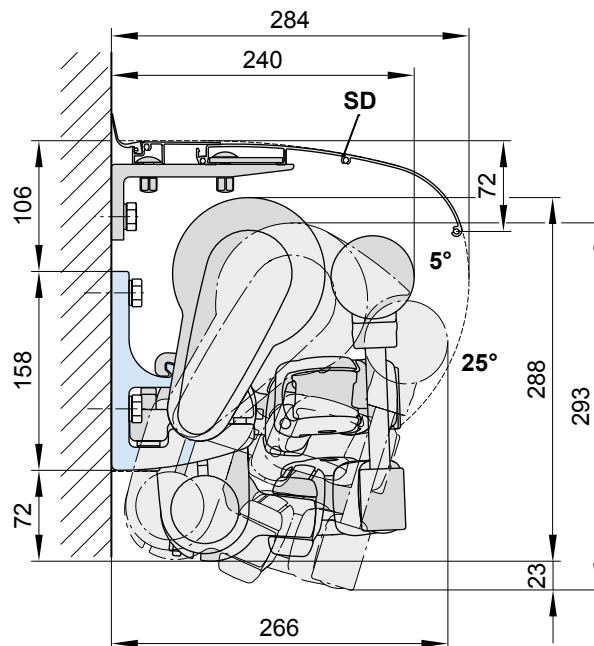
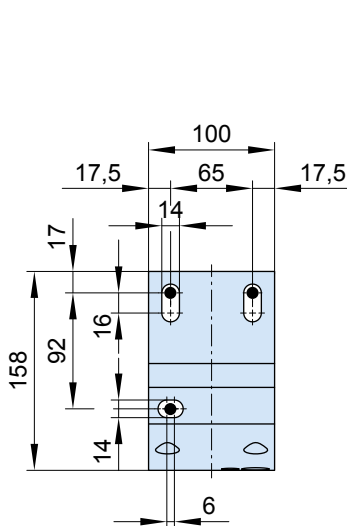
72043.



bolt reduction
assembly
pack 10 pcs

M 16 → M 12 | M 16 → M 10 | M 12 → M 10 | M 10 → M 10

15

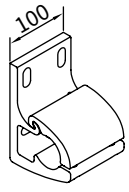
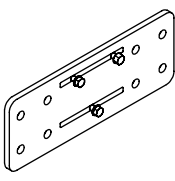
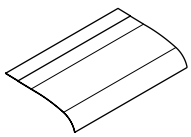
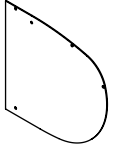
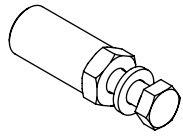


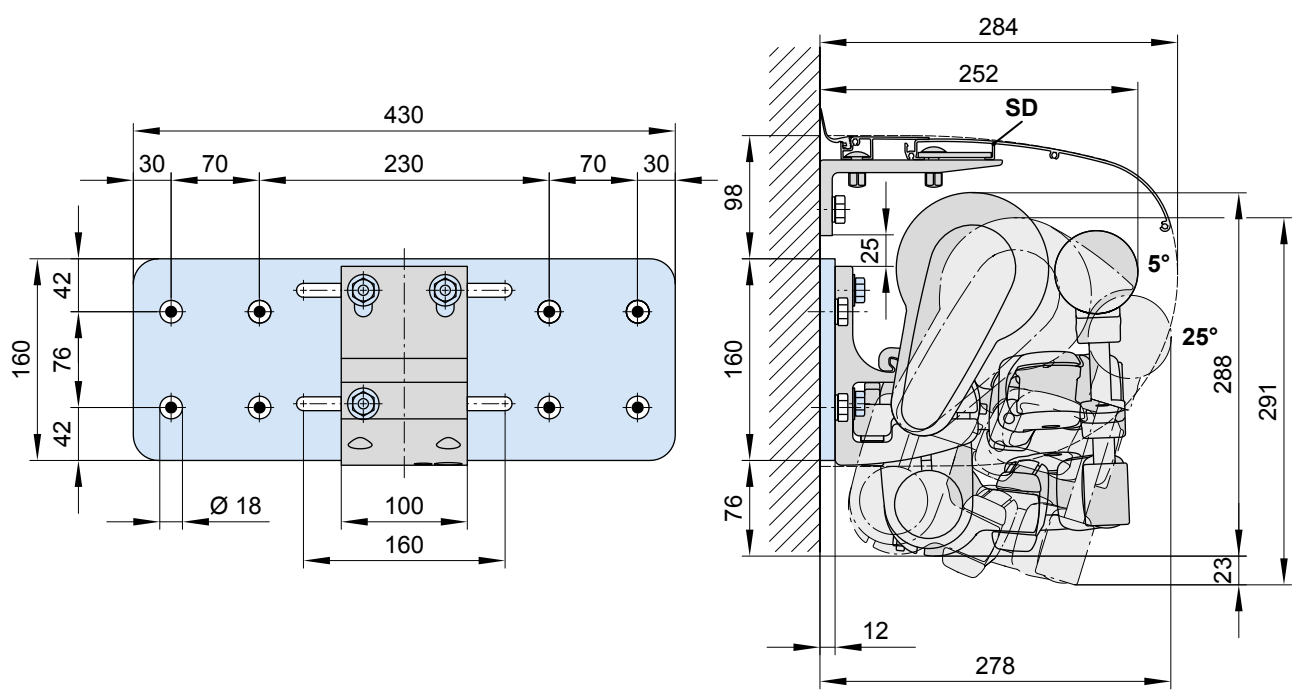
SD = coverboard

dimensions in mm

Face fixture with spreader plate A

Fixtures, fittings and accessories

 <p>face fixture bracket 100 mm</p> <p>70867.</p>	 <p>spreader plate A face fixture 430 × 160 × 12 mm</p> <p>75326.</p>	 <p>Schutzdach inkl. Zusatzprofil und Dichtgummi</p> <p>72015., 72019., 75970.</p>
 <p>Seitenblende Schutzdach, 282 × 263 × 2 mm</p> <p>72043.</p>	 <p>bolt reduction assembly pack 10 pcs</p> <p>M 16 → M 12 M 16 → M 10 M 12 → M 10 M 10 → M 10</p>	



SD = coverboard

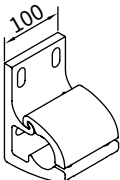
dimensions in mm

01
02
03
04
05
06
07
08
09
10
11
12
13
14
15
16
17

01
02
03
04
05
06
07
08
09
10
11
12
13
14
15
16
17

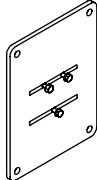
Face fixture with spreader plate B

Fixtures, fittings and accessories



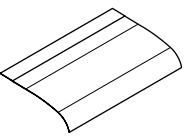
face fixture bracket
100 mm

70867.



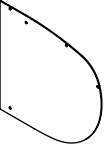
spreader plate B
face fixture
300 × 400 × 12 mm

75325.



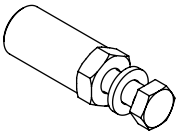
Coverboard incl. additional
profile and rubber
sealing strip

72015., 72019., 75970.



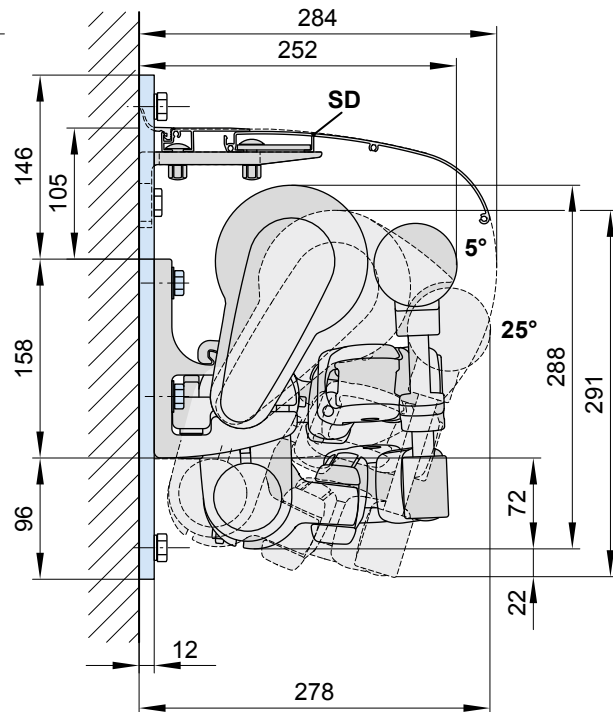
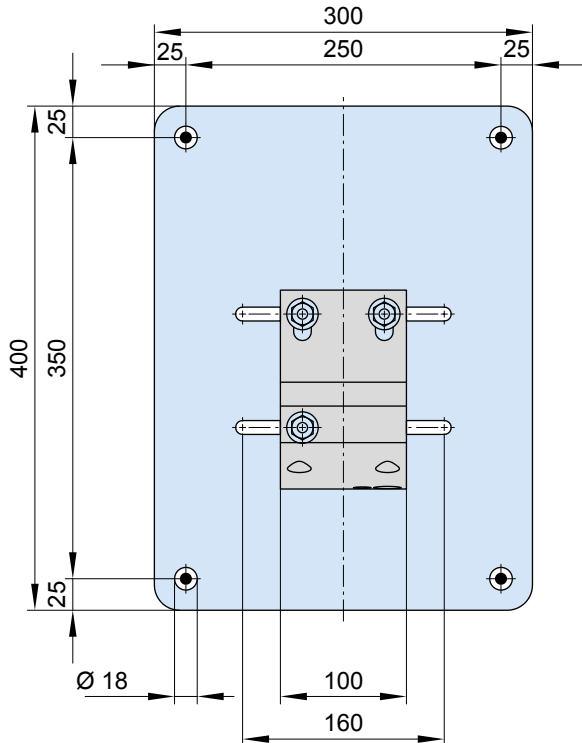
End cheeks for
the coverboard,
282 × 87 × 2 mm

72043.



bolt reduction
assembly
pack 10 pcs

M 16 → M 12 | M 16 → M 10 | M 12 → M 10 | M 10 → M 10

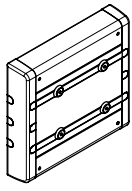


SD = coverboard

dimensions in mm

Face fixture with markilux panel 250 mm

Fixtures, fittings and accessories

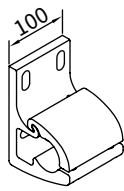


markilux panel 250 mm
fixture profile

with decorative profiles
and end caps

250 × 230 × 49 mm

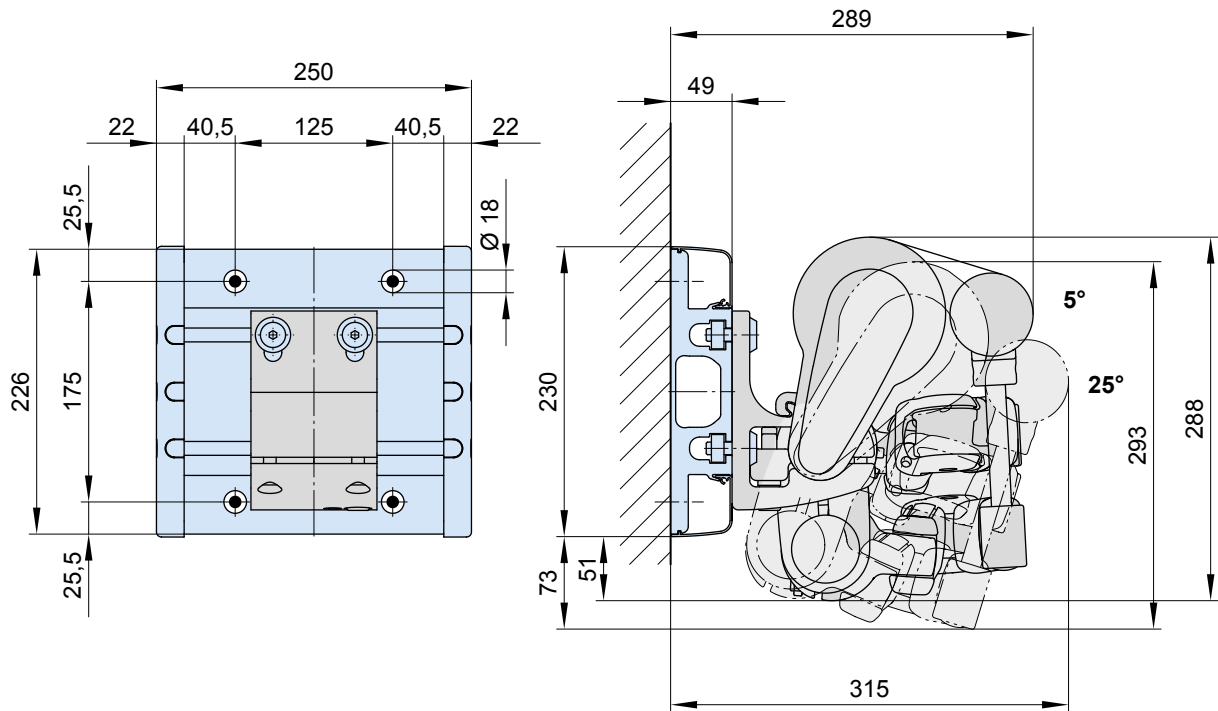
76308.



face fixture brackets

100 mm

70867.

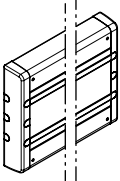


dimensions in mm

01
02
03
04
05
06
07
08
09
10
11
12
13
14
15
16
17

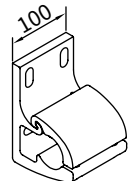
Face fixture with markilux panel continuous

Fixtures, fittings and accessories



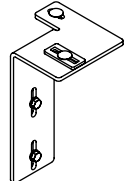
markilux panel 250 mm fixture profile
with decorative profiles and end caps
continuous

76380.



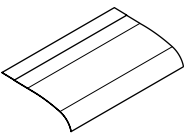
face fixture brackets
100 mm

70867.



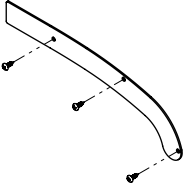
Coverboard brackets

76390.



Coverboard incl. additional profile and rubber sealing strip

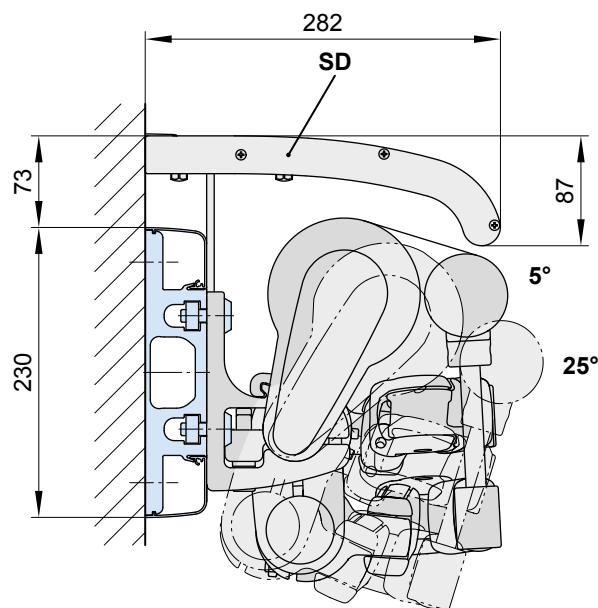
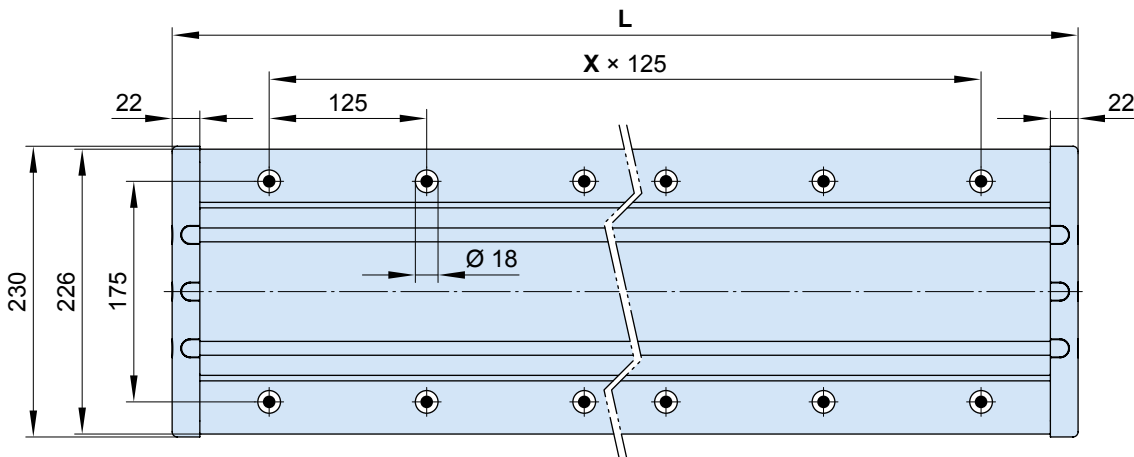
72015., 72019., 75970.



End cheeks for the coverboard, 282 × 87 × 2 mm
and
3 fillister head self-tapping screws

76469. und 3 × 735611

As a **continuous fixture profile**, the markilux panel will always be supplied to order on the basis of a technical drawing prepared in the factory in accordance with the awning specification.



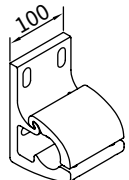
L = individual width, max. 7000 mm
 SD = coverboard

X = fixing point separation, **by way of example**

dimensions in mm

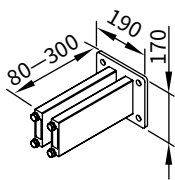
Face fixture with stand-off bracket

Fixtures, fittings and accessories



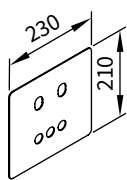
face fixture bracket
100 mm

70867.



stand-off bracket
for face fixture bracket
70867.

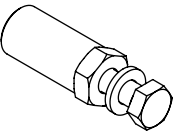
77968.



cover plate
for spacer plate
and stand-off brackets
in the case of external
insulation

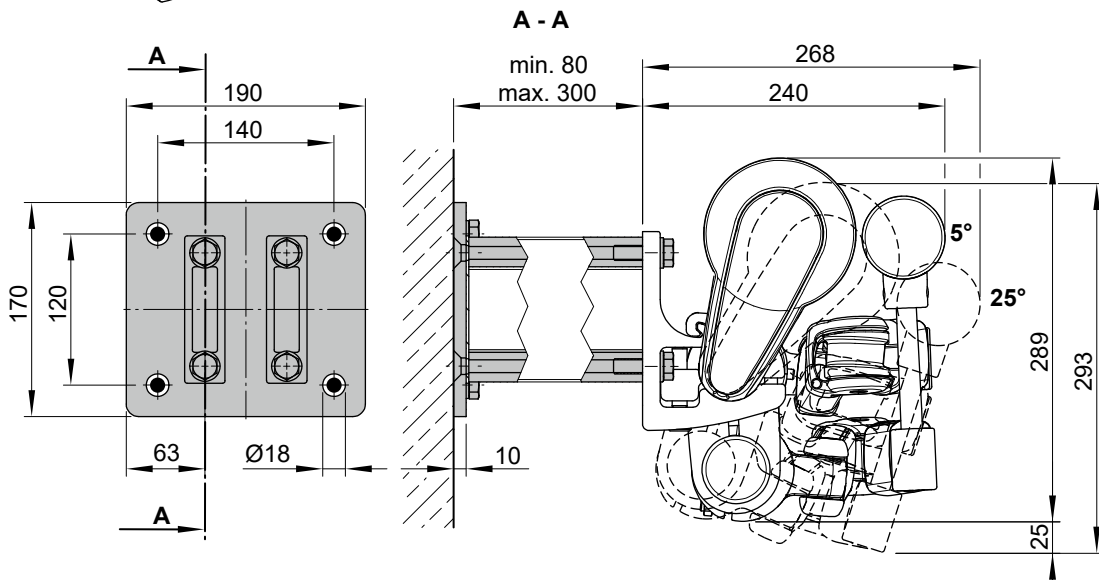
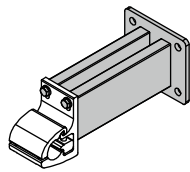
230 × 210 × 2 mm

71843.



bolt reduction
assembly
pack 10 pcs

M 16 → M 12 | M 16 → M 10 | M 12 → M 10 | M 10 → M 10



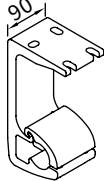
dimensions in mm

01
02
03
04
05
06
07
08
09
10
11
12
13
14
15
16
17

01
02
03
04
05
06
07
08
09
10
11
12
13
14
15
16
17

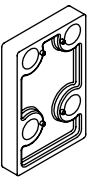
Top fixture

Fixtures, fittings and accessories



top fixture bracket
90 mm

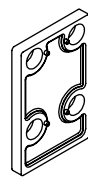
70868.



spacer plate for top fixture
90 × 140 × 20 mm

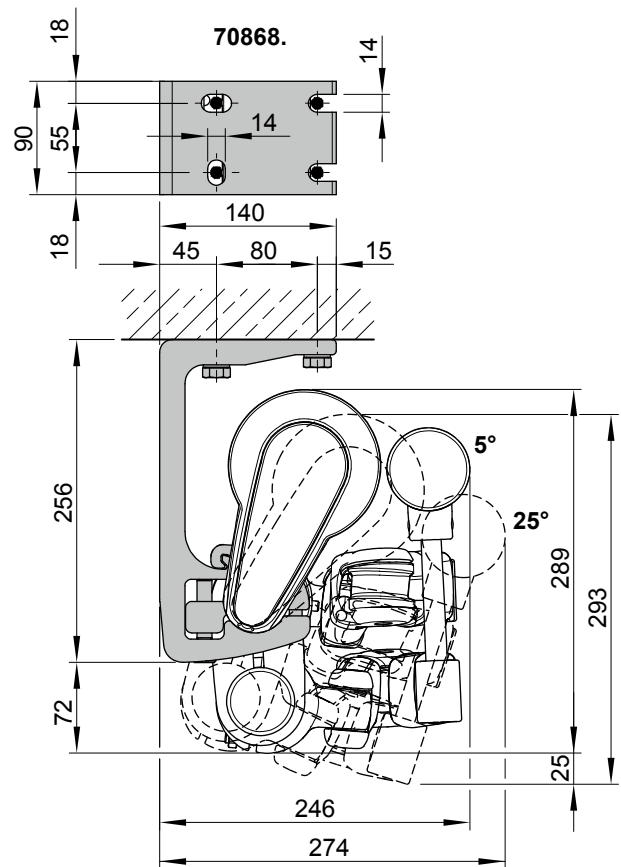
N.B!
stack to a max. height of 200 mm

716311



spacer plate for top fixture
90 × 140 × 12 mm

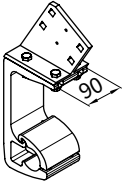
716411



dimensions in mm

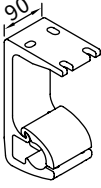
Eaves fixture

Fixtures, fittings and accessories



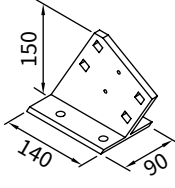
eaves fixture bracket
complete set
height of flat plate: 150 mm
90 mm

70871.



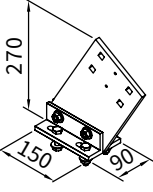
top fixture bracket
90 mm

70868.



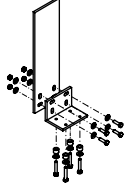
eaves fixture bracket
150 mm

71612.



eaves fixture bracket
270 mm
please refer to "Eaves fixture with spreader / backing plate"

71659.

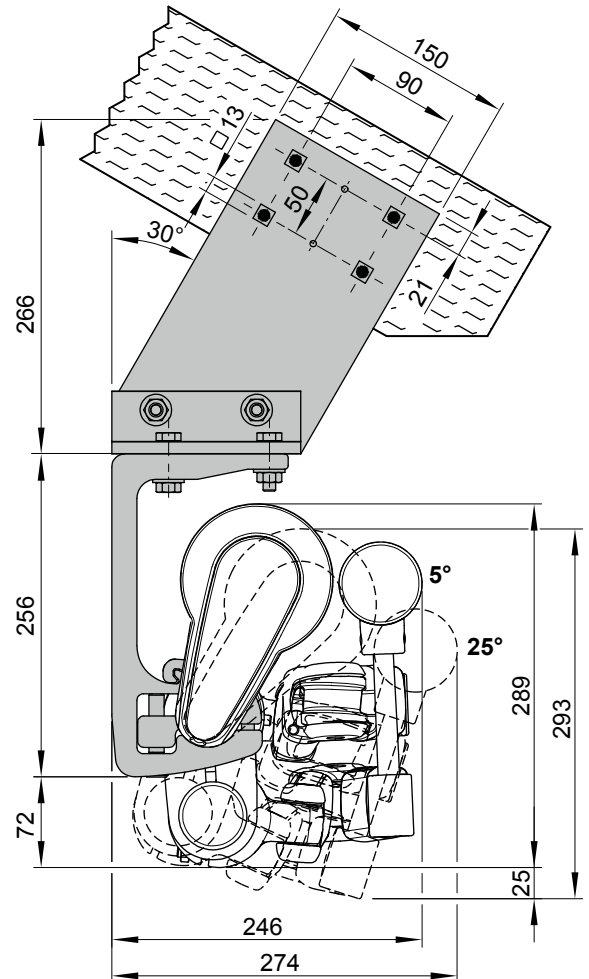
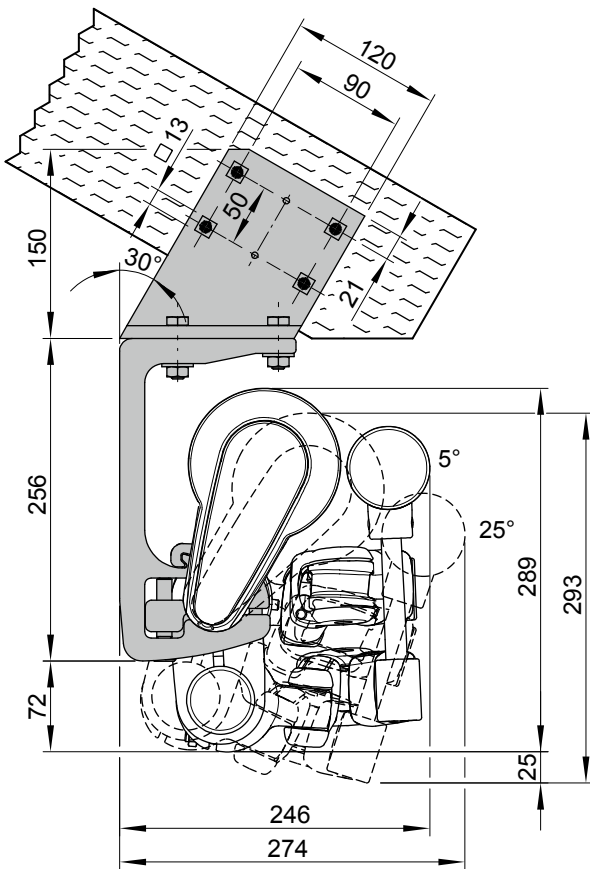


flat plate and angled bracket for eaves fixture
machine finish

716620

with eaves fixture bracket, 150 mm plate (71612.)

with eaves fixture bracket, 270 mm plate (71659.)

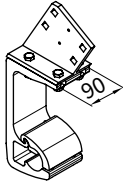


dimensions in mm

01
02
03
04
05
06
07
08
09
10
11
12
13
14
15
16
17

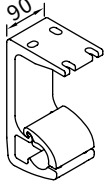
Eaves fixture with additional plate

Fixtures, fittings and accessories



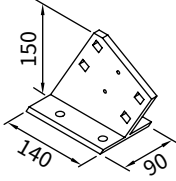
eaves fixture bracket
complete set
height of flat plate: 150 mm
90 mm

70871.



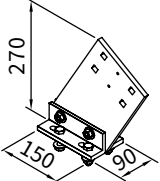
top fixture bracket
90 mm

70868.



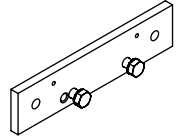
eaves fixture bracket
150 mm

71612.



eaves fixture bracket
270 mm
please refer to "Eaves fixture with spreader / backing plate"

71659.

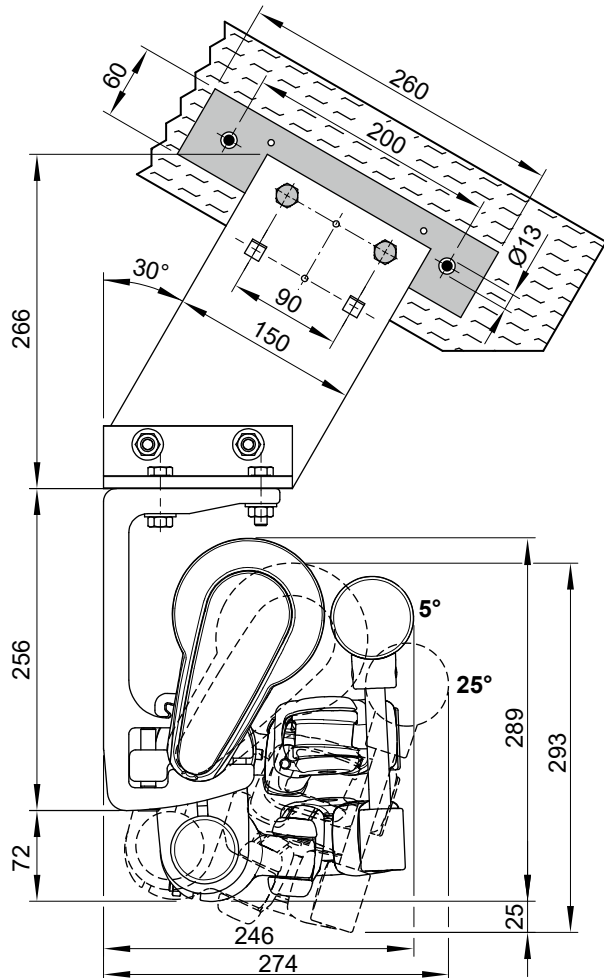
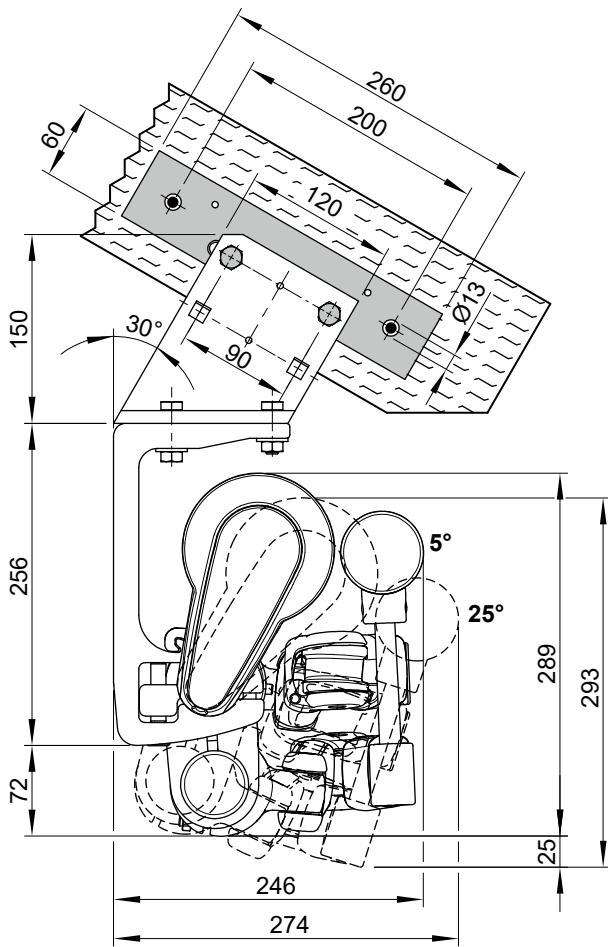


supplementary flat plate eaves fixture
260 × 60 × 12 mm
please refer to "Eaves fixture with spreader / backing plate"

75383.

With eaves fixture bracket, 150 mm plate (71612.)

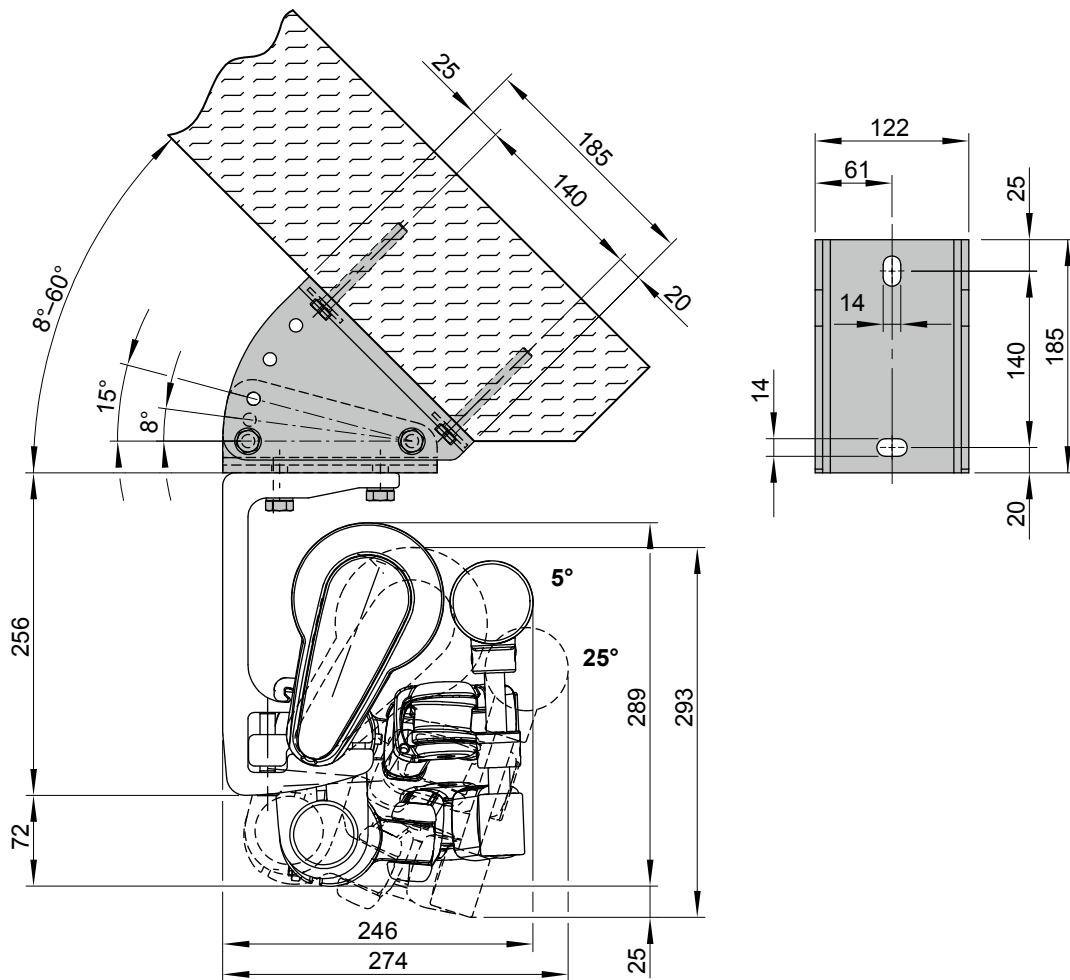
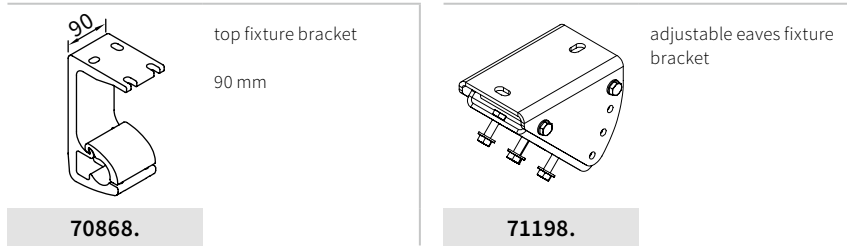
With eaves fixture bracket, 270 mm plate (71659.)



dimensions in mm

Eaves fixture with adjustable bracket

Fixtures, fittings and accessories

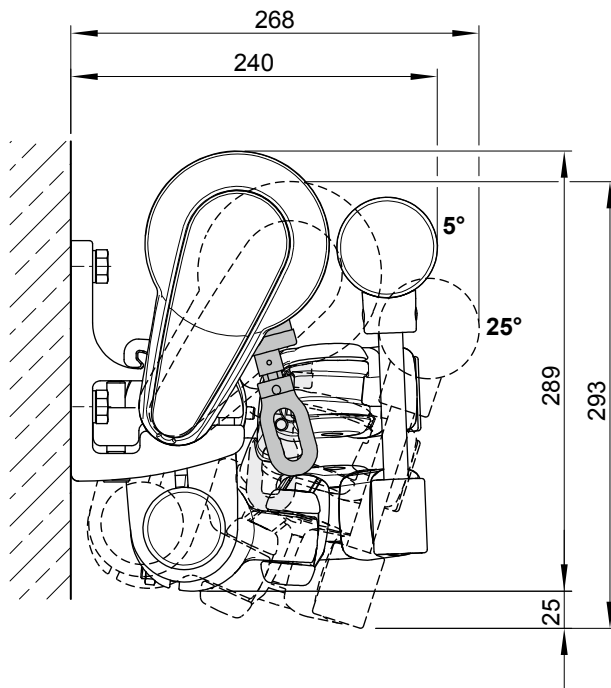


15

dimensions in mm

01 Face fixture, manual gearbox operation, dimensions at pitches between 5°–25°

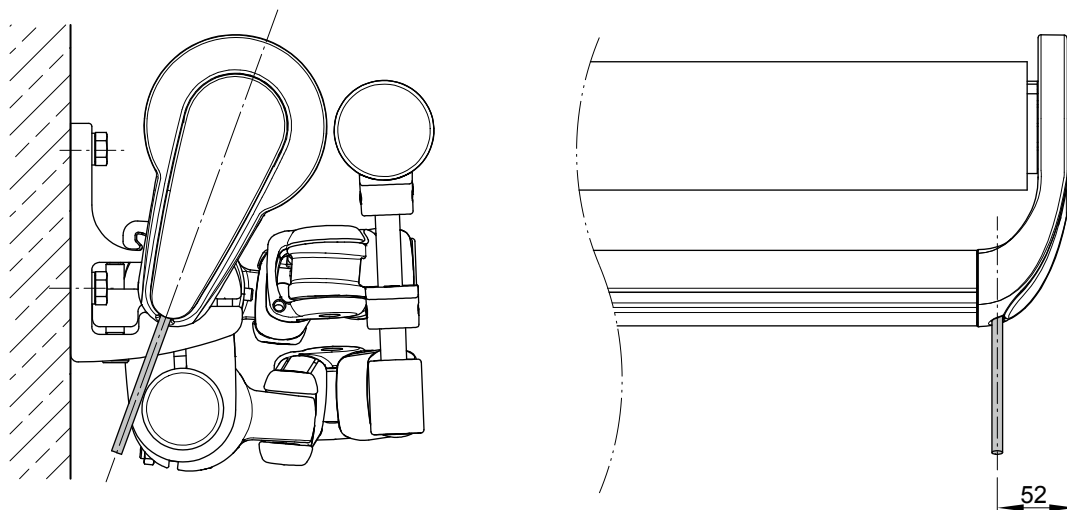
02
03
04
05
06
07
08
09
10
11



12
13
14

Motor cable exit point

15
16
17



dimensions in mm