



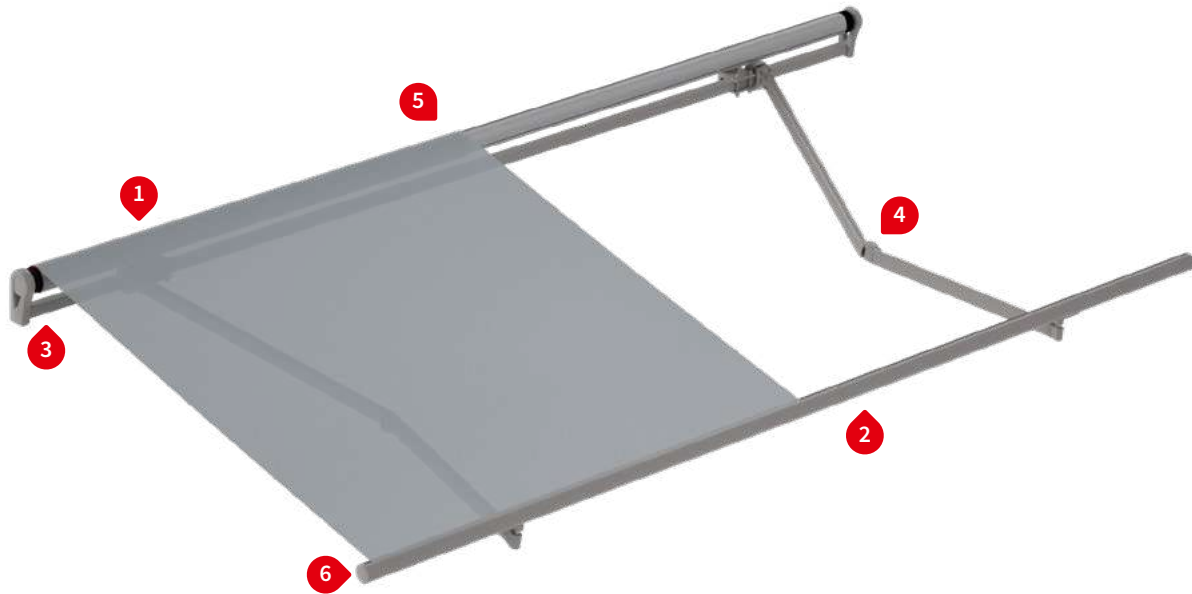
Open style folding-arm awning

## **markilux 1300**

The entrance model with proven technology.

# Product characteristics

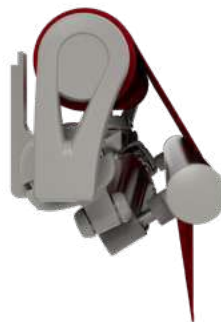
Wind resistance class 2  
Beaufort 5 → 7.5–10.4 m/s → 28–37 km/h → 17–23 mph



1 face fixture



1 face fixture, maximum pitch of 55°



1 top fixture



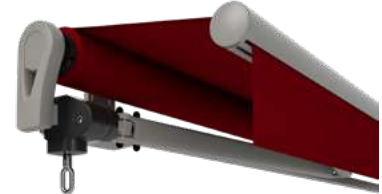
2 drop valance 1)



2 drop valance, during extension 1)



3 pitch adjustment mechanism 1)



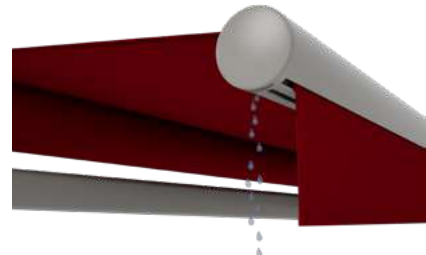
4 twin steel-link chains, corrosion protected



5 aluminium coverboard 1)



6 unique water drainage system and hidden cover pocket in the front profile



1) optional configuration

## Product characteristics

### Description

- classic folding-arm awning with square torque bar, suitable for shading large areas.

### Special features

- option of a drop valance up to a projection of 350 cm – vertical protection against low-lying sun and inquisitive glances integrated into the front profile, can be operated manually
- option of a pitch adjustment gear – the pitch of the awning is effortlessly altered by way of a special gear mechanism in the torque bar, operated exclusively by crank handle and infinitely adjustable in a range between 4° and 54° or 35° and 85° (maximum projection 300 cm / only in awnings with two folding arms)

### Dimensions

- awning in the standard version: depth 212 mm, height 232 mm
- single unit: minimum width 167 cm at the smallest projection of 150 cm  
maximum width 700 cm at the largest projection of 400 cm
- also available as a coupled unit

### Roller tube and lateral bearings

- round roller tube Ø 85 mm with keyway, galvanised steel – excellent stability, ensures near perfect cover performance even at the largest widths
- the roller support bracket is made of extruded aluminium, completely hidden within an end cap

### Awning profiles

- extruded aluminium, in façade quality, powder coated
- square steel torque bar 40 mm × 40 mm, galvanised inside and out, powder coated
- circular front profile with integrated valance keyway

### Folding arms

- profiles in extruded aluminium, in façade quality, powder coated
- moving parts made of drop-forged aluminium – the arms are therefore extremely fracture resistant
- pivot bolts in stainless steel run in teflon-coated bronze bushes – practically maintenance free, virtually silent and extremely hard-wearing
- power transference via corrosion-protected twin steel-link chains at the elbow joint

### Side caps

- the end caps covering the roller support brackets are made of high-quality plastic, in two sections, dyed right through or powder coated
- the front profile end caps are made of high-quality plastic, powder coated

### Fixture brackets

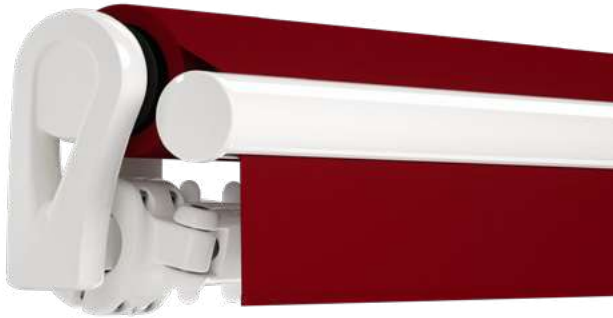
- face fixture, top fixture, eaves fixture
- extruded aluminium, powder coated
- awning pitch adjustment range 5°–55°
- spacer plates, stand-off brackets and other accessories are available

01 **Frame and end cap colours**

02 markilux frame colours without surcharge

03 traffic white RAL 9016

04 metallic aluminium RAL 9006



08

09

10

11 **Non-standard powder-coated finish**

12 Bespoke frame colours at a surcharge – matt, metallic and pearl finishes as well as other colour ranges (DB, Tiger etc.) on request.  
13 All frame colours are available at a surcharge with enhanced corrosion protection.

14 **14** Colours may differ slightly from those depicted in both hue and finish.

15

16

17

# Dimensions and configuration options

Single unit

		Overall awning width										Minimum width				
		250	300	350	400	450	500	550	600	650	700 <sup>1)</sup>	Motor			Crank handle	
<b>Order dimensions</b>		167	251	301	351	401	451	501	551	601	651					
		250	300	350	400	450	500	550	600	650	700					
<b>H</b>	<b>150</b>											181	167	—	184	170
	<b>200</b>	2)										231	218	—	234	221
	<b>250</b>	—	2)									281	268	—	284	271
	<b>300</b>	—	—	2)								331	318	—	334	321
	<b>350</b>	—	—	—	2)						1) 2)	381	368	566	384	371
	<b>400 <sup>1) 3)</sup></b>	—	—	—	—	2)					2)	431	418	640	—	—

dimensions in cm

- 1) = only available with motor drive (surcharge)!
- 2) = observe the minimum widths!
- 3) = drop valance not available
- H = projection

- = 2 folding arms, 2 brackets
- = 2 folding arms, 4 brackets
- = 3 folding arms, 5 brackets, 1 rolltex bearing

- = 2 standard arms
- = 2 bespoke arms (surcharge)
- = 3 standard arms

Operation	standard	optional
manual operation	✓	—
spring-assisted crank handle	—	✓
hard-wired motor	—	✓
silentec motor	—	—
silentec motor with an external RTS receiver	—	—
radio-controlled motor io, 868 MHz	—	✓
radio-controlled motor RTS, 433 MHz	—	✓
radio-controlled motor RTS, 433 MHz with manual override	—	—

Coupled Awning (only with motor drive) <sup>1)</sup>
2 fields, 1 motor, maximum width 1390 cm
3 fields, 1 motor, maximum width 1950 cm
maximum projection (depending on the width) 400 cm
junction roller
optionally with a one-piece cover (maximum 2 fields / width 1386 cm / projection 400 cm / 15° pitch)

**1) N.B!** Important background information can be found in the chapter “General Information”, in the section “Coupled Awnings”.

Awning cover	fabric range no.	standard	optional
sunvas	301.. / 309..-315..	✓	—
perla	370 ..	—	✓
sunsilk	324.. / 325.. / 328.. / 369..	✓	—
perla FR	374.. / 375..	—	✓
perfortex	331.. / 332..	—	—
transolair	338..	—	—
vuscreen Alu	317..	—	—
Soltis 92	92-20..	—	—
glass fibre screen	272..	—	—
valance, height 20 cm		✓	—

Shadeplus / drop valance	standard	optional
height 210 cm		
maximum awning projection 350 cm		
manual operation	✓	—
hard-wired motor	—	—
radio-controlled motor io, 868 MHz	—	—
radio-controlled motor RTS, 433 MHz	—	—
cover	sunvas / sunsilk / transolair / vuscreen Alu	

Only available in plain seamless fabrics (oversized, fabric width > 120 cm) or in plains with a horizontal joint (fabric width 120 cm).

01	<b>Optional accessories</b>
	manual drop valance
02	manual pitch adjustment gear
	aluminium coverboard
03	infrared heater 2500 W
04	infrared heater 2500 W with integrated radio-controlled receiver 868 MHz io
05	LED spotline – light bar 110 × 70 mm with 5 W LED spotlights, width 180 cm / 3 spots or 300 cm / 5 spots
06	LED spotline io – light bar 110 × 70 mm with 5 W LED spotlights with integrated dimmable radio-controlled receiver, width 180 cm / 3 spots or 300 cm / 5 spots
	automatic controls (light, wind, rain)

07 **N.B!** Important background information can be found in the chapter “Optional Accessories”.

08

09

10

11

12

13

**14**

15

16

17

<b>Fixture brackets</b>	
wall bracket 100 mm	71664.
face fixture bracket 60 mm	71665.
spreader plate A 430 × 160 × 12 mm	75326.
spreader plate B 300 × 400 × 12 mm	75325.
markilux panel 250 × 230 × 49 mm	76308.
markilux panel continuous	76380.
stand-off bracket wide 80–300 mm	77968.
stand-off bracket narrow 80–300 mm	77967.
top fixture bracket 90 mm	71666.
top fixture bracket 60 mm	71667.
eaves fixture bracket 90 mm, 150 mm plate	71612.
eaves fixture bracket 90 mm, 270 mm plate	71659.
flat plate and angled bracket for eaves fixture, machine finish, 500 mm plate	716620
spreader plate 260 × 60 × 12 mm for eaves fixture bracket	75383.

## Pitch adjustment gear

Ideal for providing more solar shading on your balcony

Available in awnings with two folding arms and a maximum projection of 300 cm. When extended the crank handle allows you to change the pitch quite easily and noiselessly in a range between 4° and 54° or 35° and 85° (needs to be entered at the time of order).

The gearbox operation eye can be fitted to either the left or right arm without a problem on site. All the components needed to adjust the pitch of the awning are hidden away inside the torque bar and so protected from the elements.

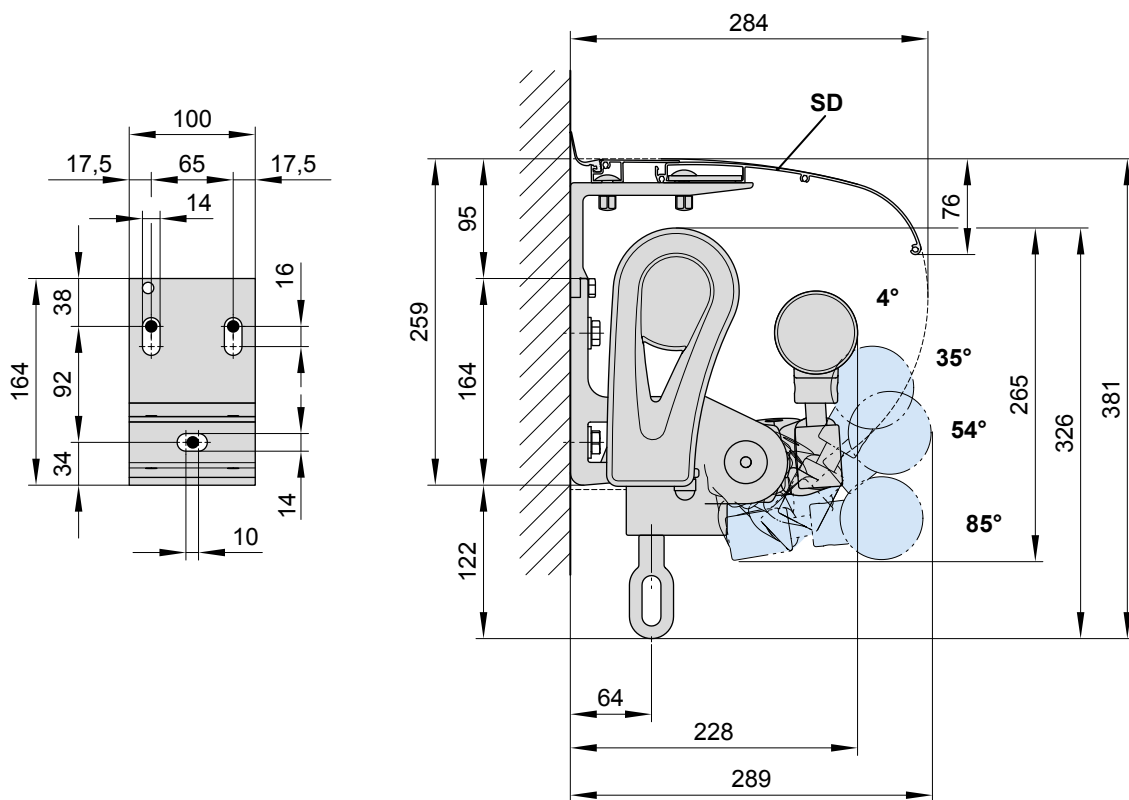
By virtue of the integrated pitch adjustment option, the arms can be effortlessly levelled. The pitch adjustment gear is supplied in white with white awnings and in black with any other colour.

Attention! The inclination adjustment drive must only be operated when the awning is extended. Any adjustment with the awning retracted results in malfunctions!

### Minimum width for awnings with pitch adjustment gear

	Awning with standard arms		Awning with bespoke arms	
H	150	200		200
	200	250		238
	250	300		288
	300	350		338

dimensions in cm



71664. = wall bracket 100 mm

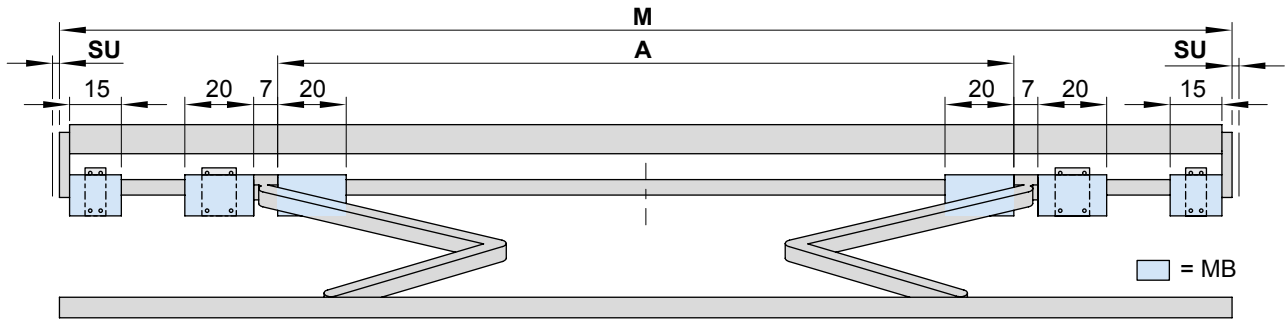
H = order dimension = projection

SD = aluminium coverboard

dimensions in mm

# Bracket fixture range

Awning with 2 folding arms



dimensions in cm

		Overall awning width											
		250	300	350	400	450	500	550	600	650			
Order dimensions		167	251	301	351	401	451	501	551	601			
		250	300	350	400	450	500	550	600	650			
		Arm position A											
H	150	156 <sup>1)</sup>	206	240	275	310	345	375	415	450			
	200	206 <sup>2)</sup>	206 <sup>1)</sup>	240	275	310	345	375	415	450			
	250	—	256 <sup>2)</sup>	256 <sup>1)</sup>	275	310	345	375	415	450			
	300	—	—	306 <sup>2)</sup>	306 <sup>1)</sup>	310	345	375	415	450			
	350	—	—	—	356 <sup>2)</sup>	356 <sup>1)</sup>	375	375	415	—			
	400	—	—	—	—	406 <sup>2)</sup>	406	406	415	—			
BHT		No. of brackets   No. of fixing points											
W	6	—					2   4						
	10	2   6					2   6						
BP		A 2   16				B 2   8				A 2   16		B 2   8	
DP		—					2						
PA		2   8					4   16						
DE	6	—					2   4						
	9	2   8					2   8						
DA	9	2   8					4   16						

If the brackets cannot be positioned in accordance with this table, make sure the actual measurements are noted on the order form! dimensions in cm

- 1) = coupled awning in intermediate widths available on request with junction roller
- 2) = please note the minimum widths! Dimension A is only valid for standard arms! Dimension A is 13 cm smaller in the case of bespoke arms. In the case of small awnings the brackets can only be fitted inside the arms, i.e. the position denoted by measurement A. Coupled units are not available with junction roller.

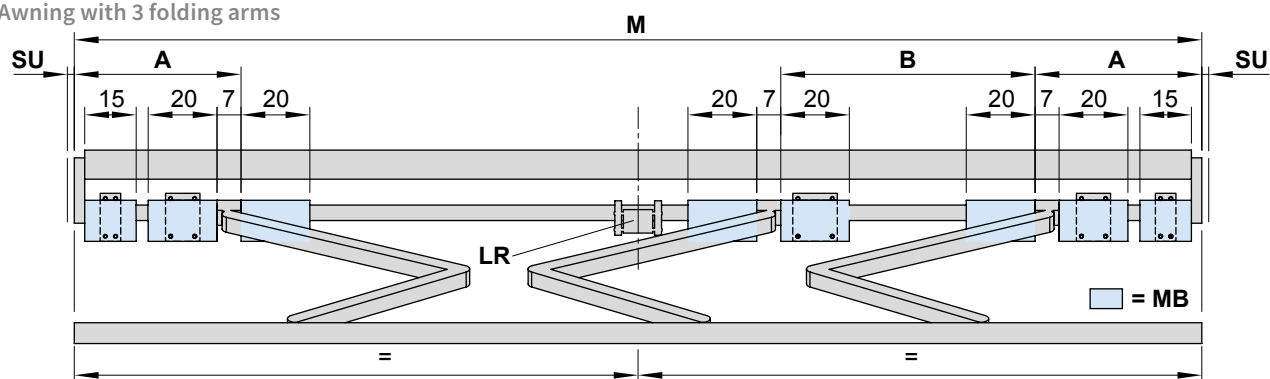
The **pull-out forces** necessary for determining the correct fixing materials necessary to meet wind resistance class 2 (Beaufort 5) can be found in the password-protected dealer area of the markilux.com website under "Pull-out Forces".

- A** = arm position
- BHT** = bracket width
- BP** = spreader plate A or B, to be positioned behind the folding arm
- DA** = eaves fixture bracket
- DE** = top fixture bracket
- DP** = spacer plate 71642, fitting area at outer brackets
- H** = *order dimension* = projection
- M** = *order dimension* = awning width
- MB** = bracket fixture range
- PA** = markilux panel, fixture profile, width 250 mm
- SU** = coverboard overhang 2 cm
- W** = face fixture bracket



## Bracket fixture range

Awning with 3 folding arms



dimensions in cm

		Overall awning width									
		650					700				
Order dimensions		601	614	640	650	651	694				
		613	650	650		693	700				
		Arm position									
		A	B	A	B	A	B	A	B	A	B
H	150	—	—	—	—	—	—	55	240	55	240
	200	—	—	—	—	—	—	55	225	55	225
	250	—	—	—	—	—	—	55	210	55	210
	300	—	—	—	—	—	—	55	200	55	200
	350	29 <sup>1)</sup>	180 <sup>1)</sup>	30 <sup>1)</sup>	190 <sup>1)</sup>	—	—	50	190	55	190
	400	—	—	—	—	12 <sup>1)2)</sup>	204 <sup>1)2)</sup>	17 <sup>1)</sup>	204 <sup>1)</sup>	30 <sup>1)</sup>	204 <sup>1)</sup>
BHT		No. of brackets   No. of fixing points									
W	60	2   4									
	100	3   9									
BP		A 3   24 B 3   12									
DP		2									
PA		5   20									
DE	60	2   4									
	90	3   12									
DA	90	5   20									

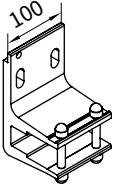
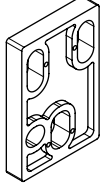
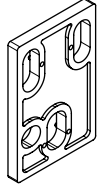
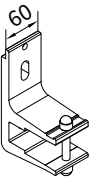
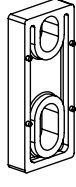
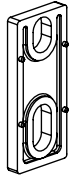
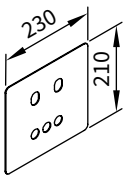
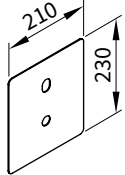
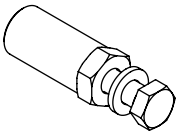
If the brackets cannot be positioned in accordance with this table, make sure the actual measurements are noted on the order form! dimensions in cm

The **pull-out forces** necessary for determining the correct fixing materials necessary to meet wind resistance class 2 (Beaufort 5) can be found in the password-protected dealer area of the markilux.com website under “Pull-out Forces”.

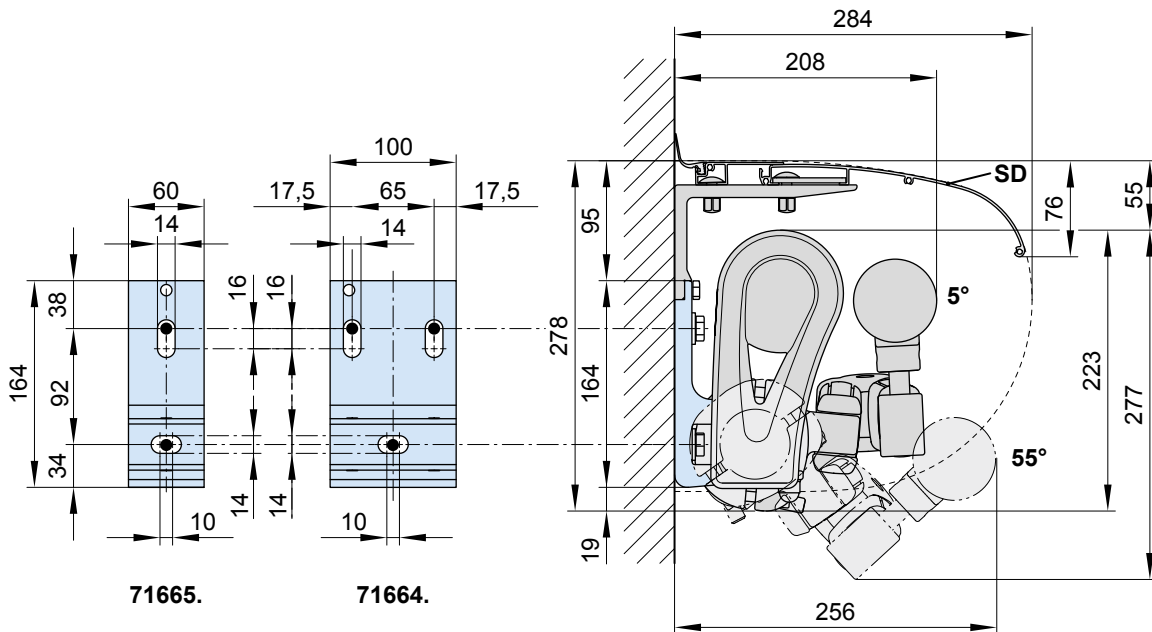
- 1) = coupled units are not available with junction roller.
- 2) = brackets 60 mm are not to be applied for this size
- A, B = arm position
- BHT = bracket width
- BP = spreader plate A or B, to be positioned behind the folding arm
- DA = eaves fixture bracket
- DE = top fixture bracket
- DP = spacer plate 71642, fitting area at outer brackets
- H = *order dimension* = projection
- LR = rolltex bearing
- M = *order dimension* = awning width
- MB = bracket fixture range
- PA = markilux panel, fixture profile, width 250 mm
- SU = coverboard overhang 2 cm
- W = face fixture bracket

# Face fixture

## Fixtures, fittings and accessories

 <p>face fixture bracket 100 mm</p> <p><b>71664.</b></p>	 <p>spacer plate 100 × 150 × 20 mm</p> <p><b>N.B!</b> Stack to a max. height of 200 mm</p> <p><b>758831</b></p>	 <p>spacer plate 100 × 150 × 12 mm</p> <p><b>758841</b></p>
 <p>face fixture bracket 60 mm</p> <p><b>71665.</b></p>	 <p>spacer plate for face fixture 60 × 140 × 20 mm</p> <p><b>Attention!</b> stack to a max. height of 200 mm</p> <p><b>716321</b></p>	 <p>spacer plate for face fixture 60 × 140 × 12 mm</p> <p><b>71642.</b></p>
 <p>cover plate for spacer plate and stand-off bracket in the case of external insulation 230 × 210 × 2 mm</p> <p><b>71843.</b></p>	 <p>cover plate for spacer plate and stand-off bracket in the case of external insulation 210 × 230 × 2 mm</p> <p><b>71844.</b></p>	 <p>bolt reduction assembly pack 10 pcs</p> <p>M 16 → M 12   M 16 → M 10   M 12 → M 10   M 10 → M 10</p>

# 14

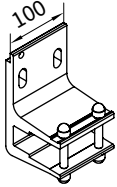


SD = aluminium coverboard

dimensions in mm

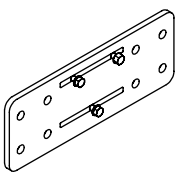
# Face fixture with spreader plate A

Fixtures, fittings and accessories



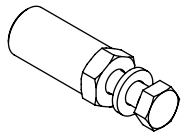
face fixture bracket  
100 mm

**71664.**



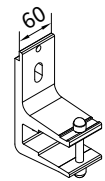
spreader plate A  
face fixture  
430 × 160 × 12 mm

**75326.**




bolt reduction  
assembly  
pack 10 pcs

M 16 → M 12 | M 16 → M 10 | M 12 → M 10 | M 10 → M 10



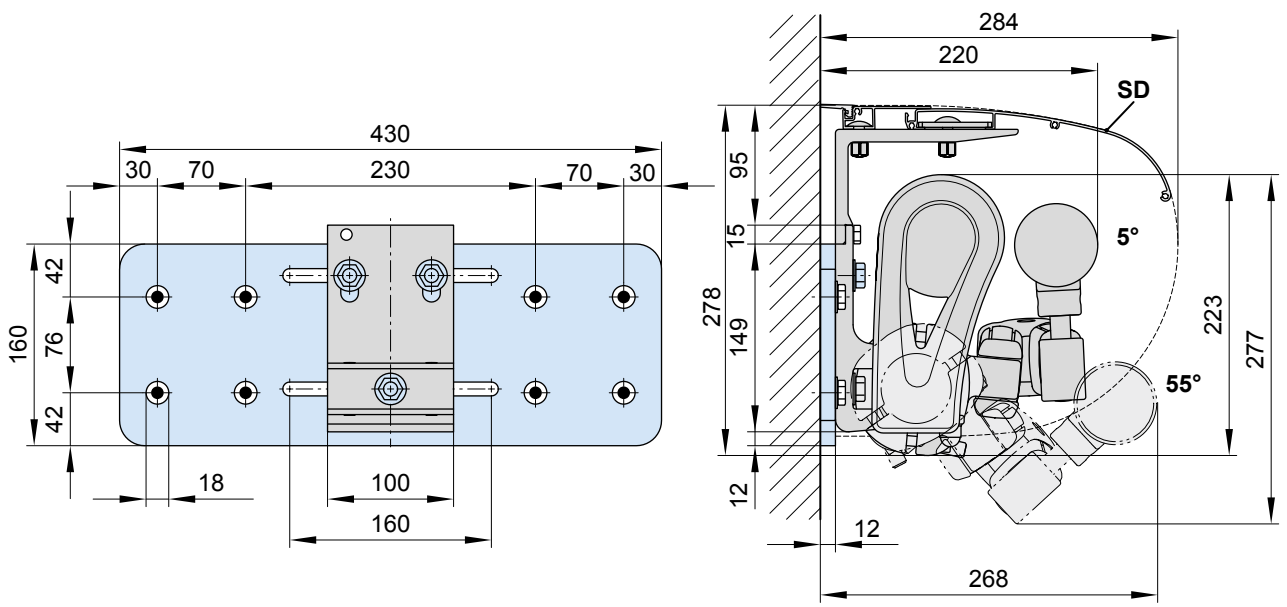
face fixture bracket  
60 mm

**71665.**



spacer plate for face  
fixture  
60 × 140 × 12 mm

**71642.**



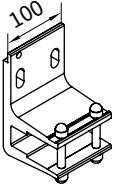
SD = aluminium coverboard

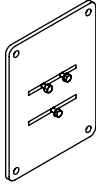
dimensions in mm

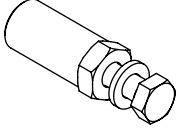
01  
02  
03  
04  
05  
06  
07  
08  
09  
10  
11  
12  
13  
**14**  
15  
16  
17

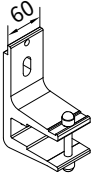
01 **Face fixture with spreader plate B**


02 Fixtures, fittings and accessories

03  face fixture bracket  
100 mm  
04  
05 **71664.**

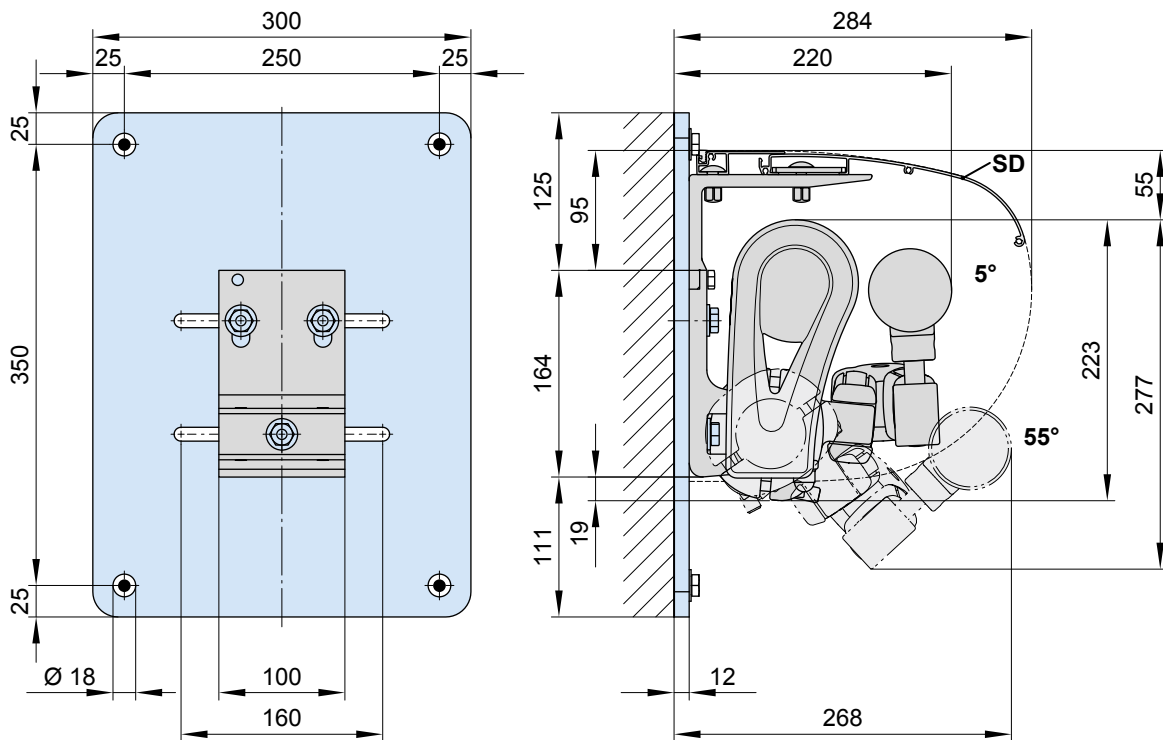
 Spreader plate B  
face fixture  
300 × 400 × 12 mm  
06  
07 **75325.**

 bolt reduction  
assembly  
pack 10 pcs  
08  
09 M 16 → M 12 | M 16 → M 10 | M 12 → M 10 | M 10 → M 10

 face fixture bracket  
60 mm  
10  
11 **71665.**

 spacer plate for face  
fixture  
60 × 140 × 12 mm  
12  
13 **71642.**

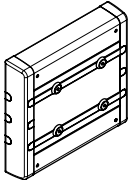
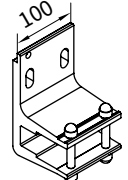
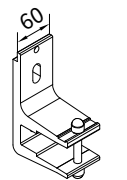
14

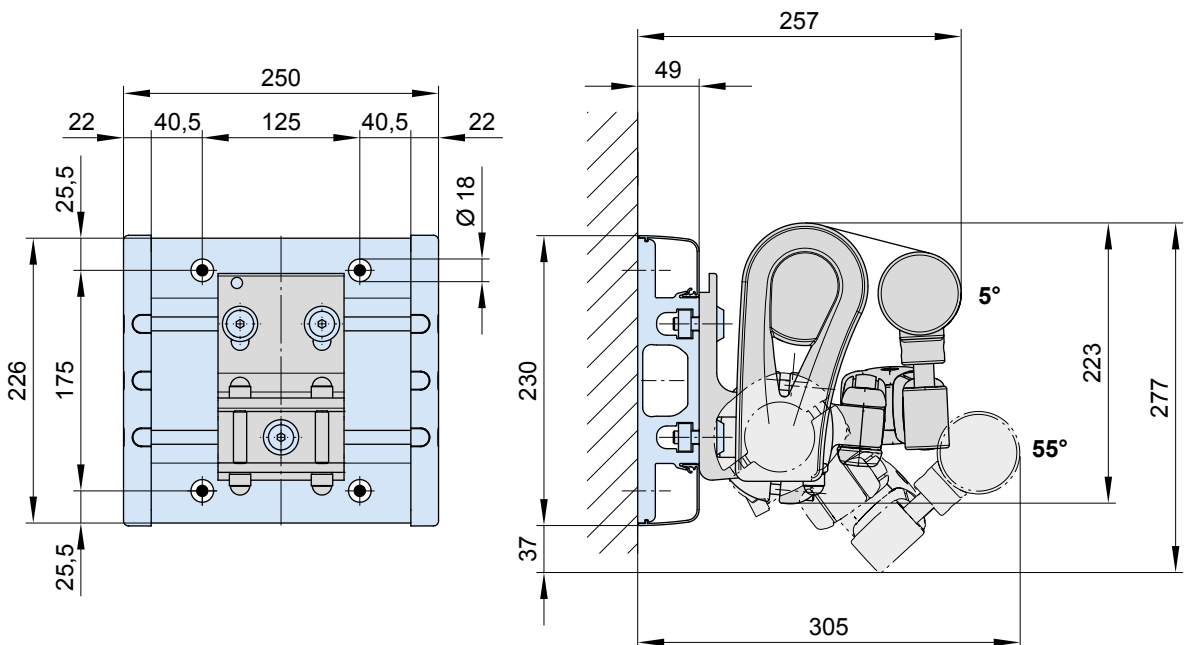


dimensions in mm

# Face fixture with markilux panel 250 mm

## Fixtures, fittings and accessories

 <p>markilux panel 250 mm fixture profile with decorative profiles and end caps 250 × 230 × 49 mm</p> <p><b>76308.</b></p>	 <p>face fixture bracket 100 mm</p> <p><b>71664.</b></p>	 <p>face fixture bracket 60 mm</p> <p><b>71665.</b></p>
---	---	--

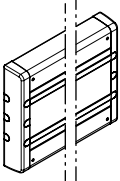
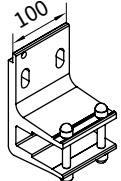
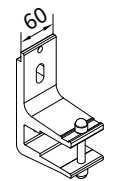
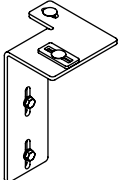
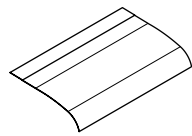
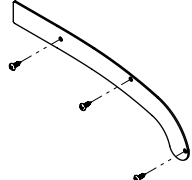


dimensions in mm

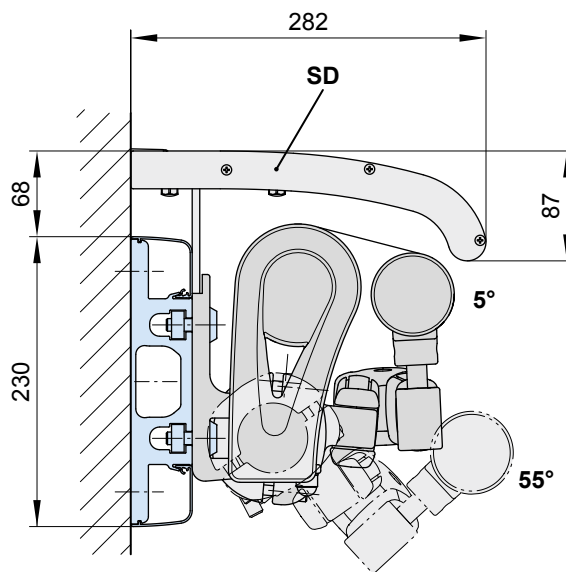
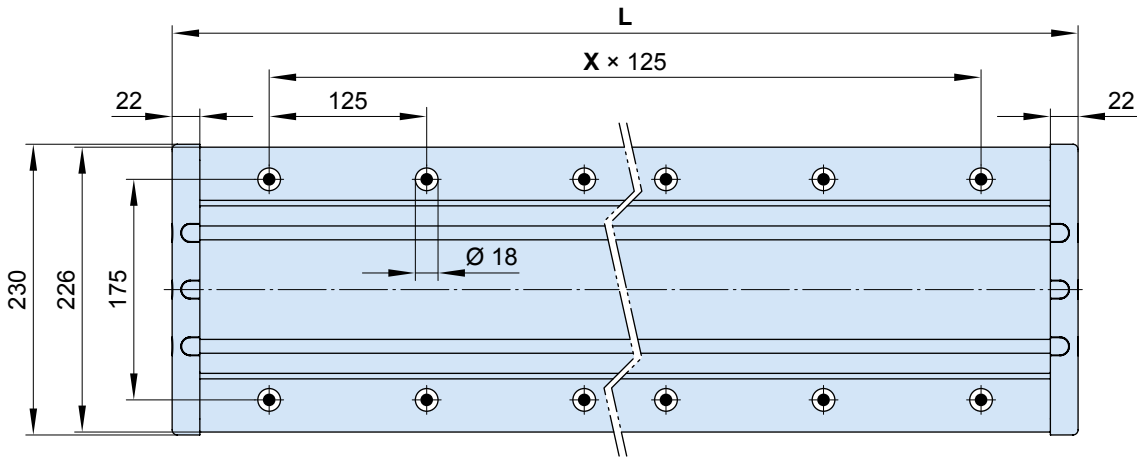
01  
02  
03  
04  
05  
06  
07  
08  
09  
10  
11  
12  
13  
**14**  
15  
16  
17

# Face fixture with markilux panel continuous

## Fixtures, fittings and accessories

 <p>markilux panel 250 mm fixture profile with decorative profiles and end caps continuous</p> <p><b>76380.</b></p>	 <p>face fixture bracket 100 mm</p> <p><b>71664.</b></p>	 <p>face fixture bracket 60 mm</p> <p><b>71665.</b></p>
 <p>Coverboard brackets</p> <p><b>76390.</b></p>	 <p>Coverboard incl. additional profile and rubber sealing strip</p> <p><b>72015., 72019., 75970.</b></p>	 <p>End cheeks for the coverboard, 282 × 87 × 2 mm and 3 fillister head self-tapping screws</p> <p><b>76469. und 3 × 735611</b></p>

As a **continuous fixture profile**, the markilux panel will always be supplied to order on the basis of a technical drawing prepared in the factory in accordance with the awning specification.

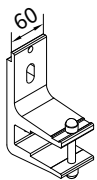
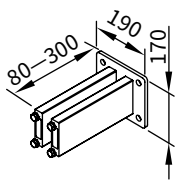
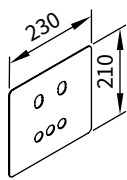
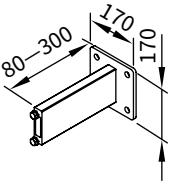
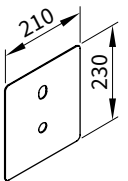
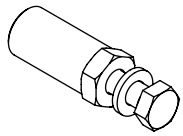


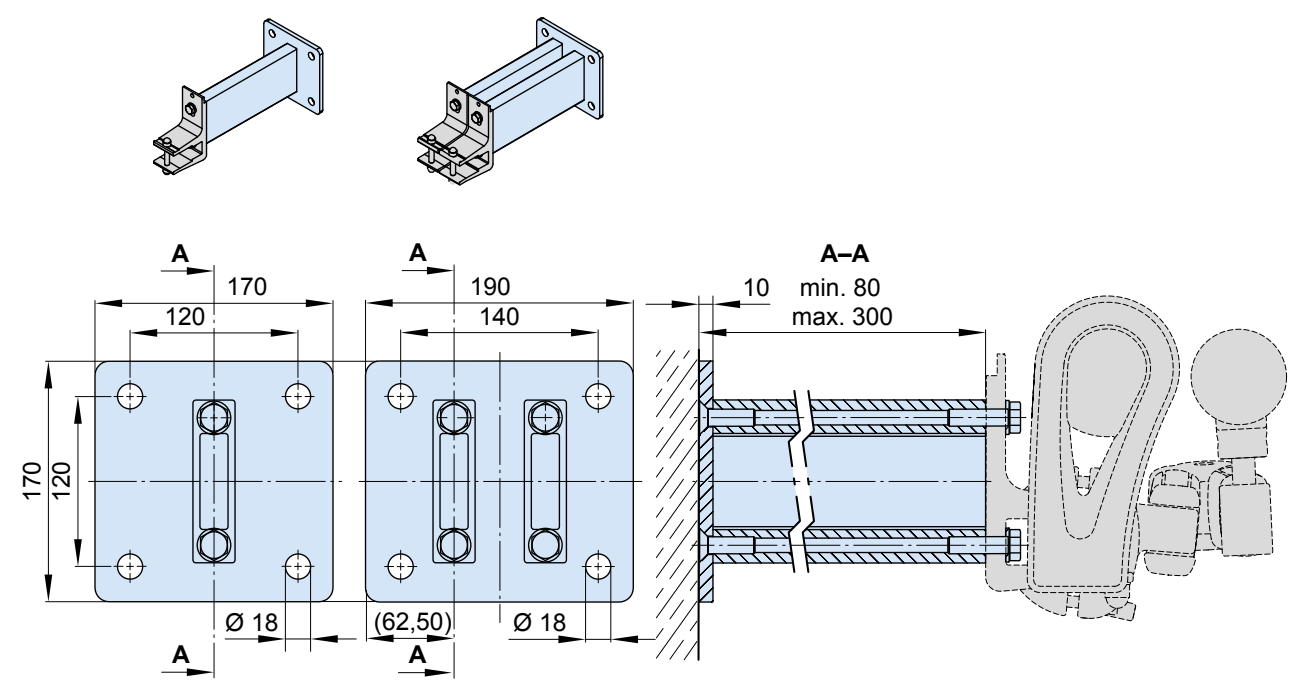
**L** = individual width, max. 7000 mm  
**SD** = coverboard

**X** = fixing point separation, **by way of example**

# Face fixture with stand-off bracket

Fixtures, fittings and accessories

 <p>face fixture bracket 60 mm</p> <p><b>71665.</b></p>	 <p>guide rod bracket for 2 face fixture bracket 71665.</p> <p><b>77968.</b></p>	 <p>cover plate for spacer plate and stand-off bracket in the case of external insulation</p> <p>230 × 210 × 2 mm</p> <p><b>71843.</b></p>
 <p>guide rod bracket for face fixture bracket 71665.</p> <p><b>77967.</b></p>	 <p>cover plate for spacer plate and stand-off bracket in the case of external insulation</p> <p>210 × 230 × 2 mm</p> <p><b>71844.</b></p>	 <p>bolt reduction assembly</p> <p>pack 10 pcs</p> <p>M 16 → M 12   M 16 → M 10   M 12 → M 10   M 10 → M 10</p>

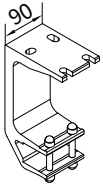


dimensions in mm

01  
02  
03  
04  
05  
06  
07  
08  
09  
10  
11  
12  
13  
**14**  
15  
16  
17

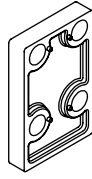
01 **Top fixture**

02 Fixtures, fittings and accessories



top fixture bracket  
90 mm

03 **71666.**



spacer plate for  
top fixture  
90 × 140 × 20 mm

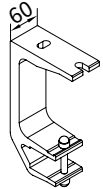
**Attention!**  
stack to a max. height of  
200 mm

04 **716311**



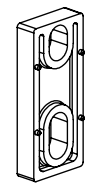
spacer plate for  
top fixture  
90 × 140 × 12 mm

05 **716411**



top fixture bracket  
additional bracket  
in the case of 3 folding  
arms

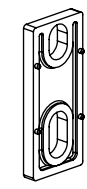
06 **71667.**



spacer plate for  
top fixture  
60 × 140 × 20 mm

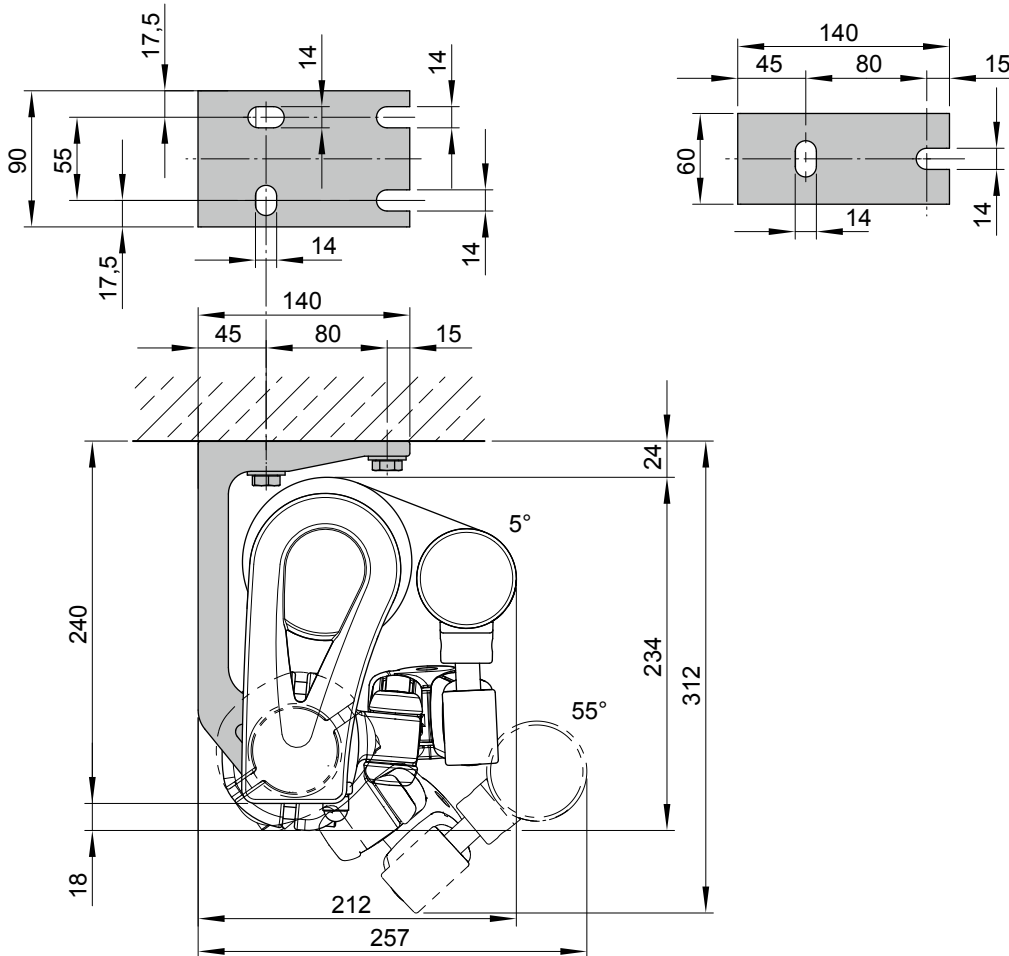
**Attention!**  
stack to a max. height of  
200 mm

07 **716321**



spacer plate for  
top fixture  
60 × 140 × 12 mm

08 **71642.**

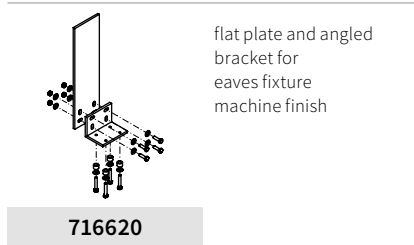
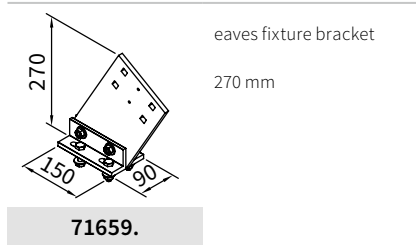
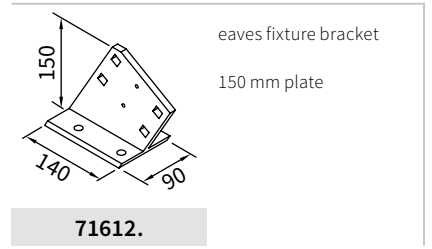
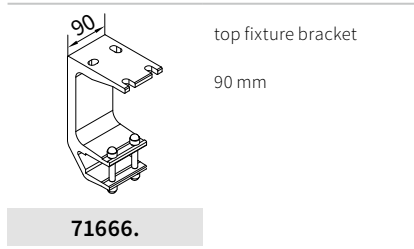
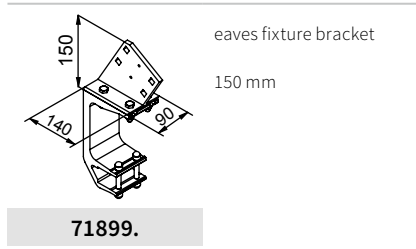


dimensions in mm



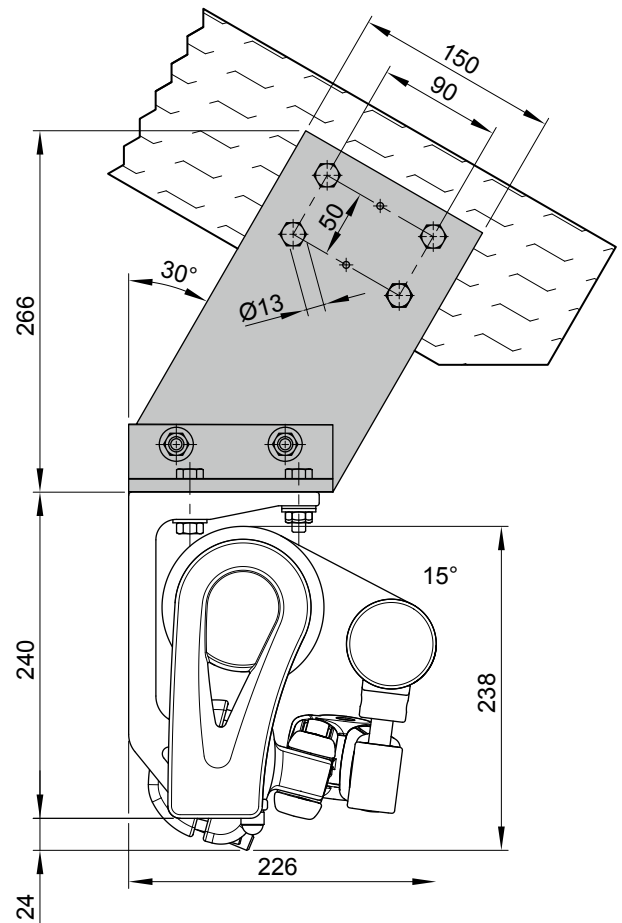
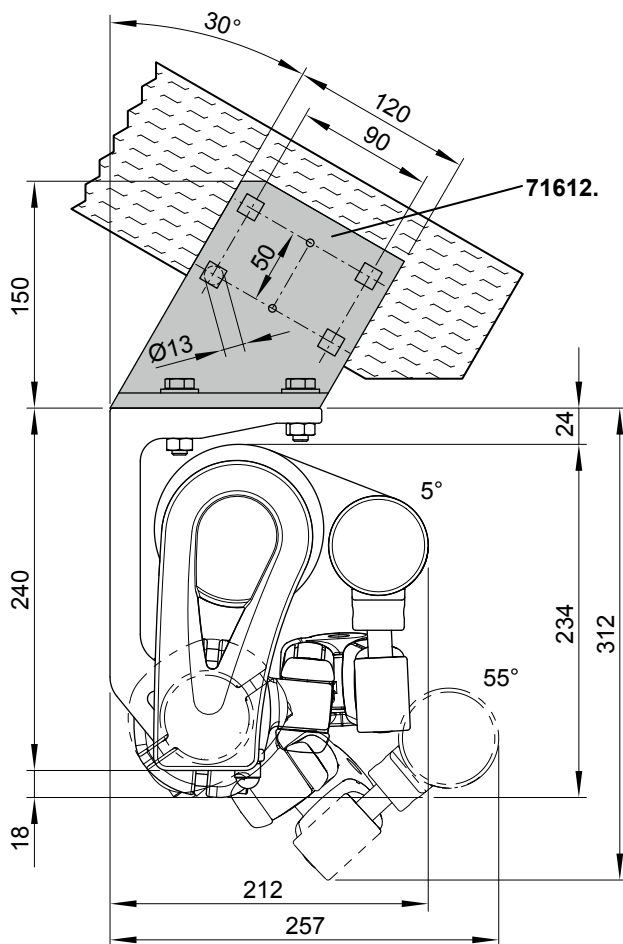
# Eaves fixture

## Fixtures, fittings and accessories



With eaves fixture bracket 150 mm (71612.)

With eaves fixture bracket 270 mm (71659.)

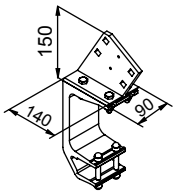


dimensions in mm

01  
02  
03  
04  
05  
06  
07  
08  
09  
10  
11  
12  
13  
14  
15  
16  
17

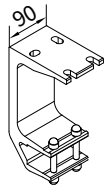
# Eaves fixture with additional plate

Fixtures, fittings and accessories



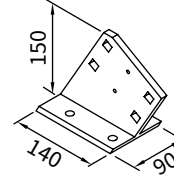
eaves fixture bracket  
150 mm

71899.



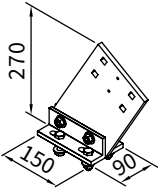
top fixture bracket  
90 mm

71666.



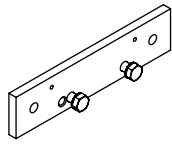
eaves fixture bracket 90 mm  
150 mm plate

71612.



eaves fixture bracket  
270 mm

71659.

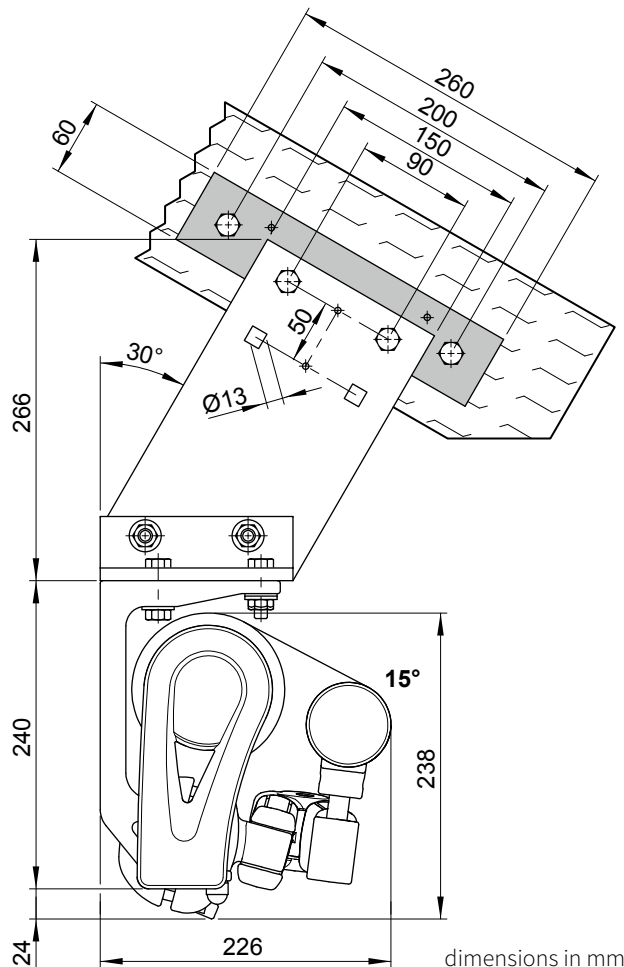
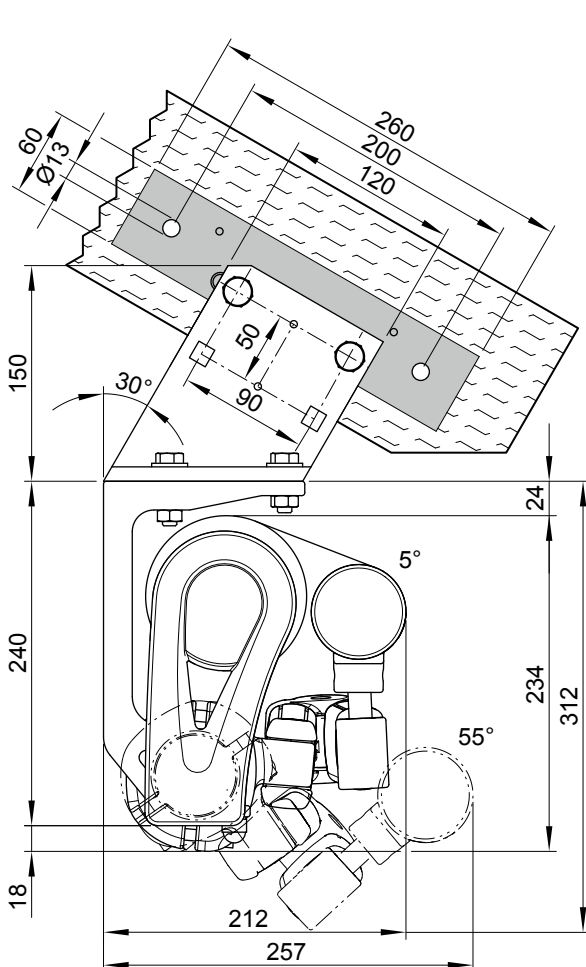


supplementary flat plate eaves fixture  
60 x 260 x 12 mm

75383.

With eaves fixture bracket 150 mm (71612.)

With eaves fixture bracket 270 mm (71659.)

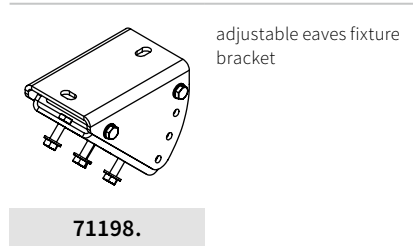
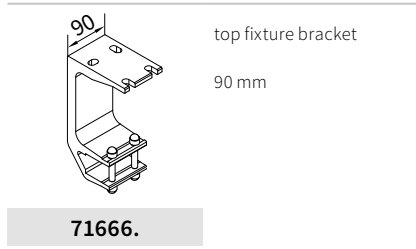


dimensions in mm

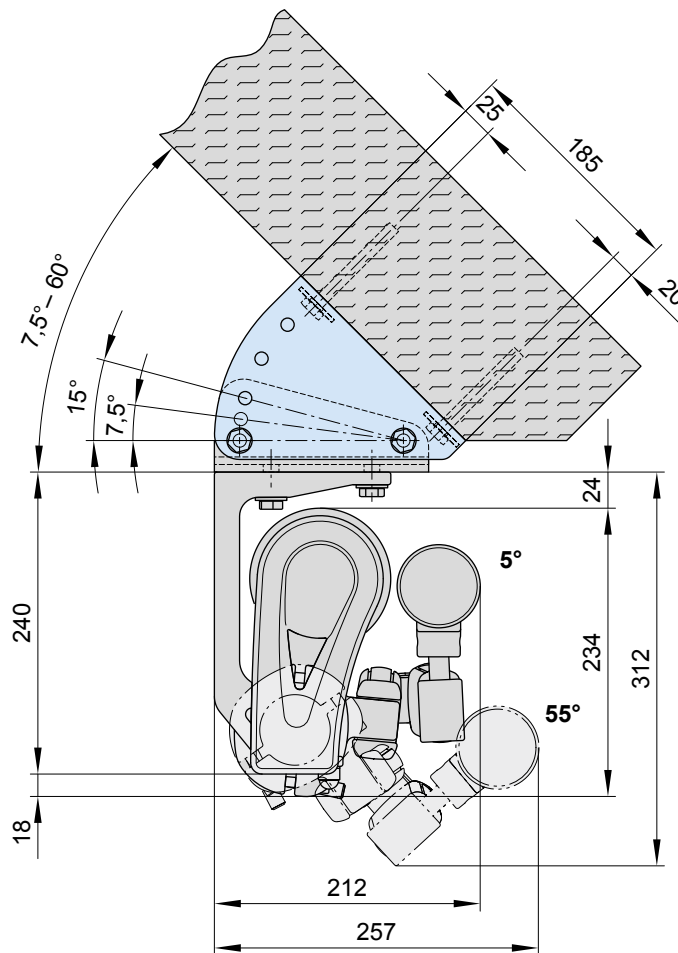
14

# Roof timber (eaves) fixture using adjustable brackets

Fixtures, fittings and accessories



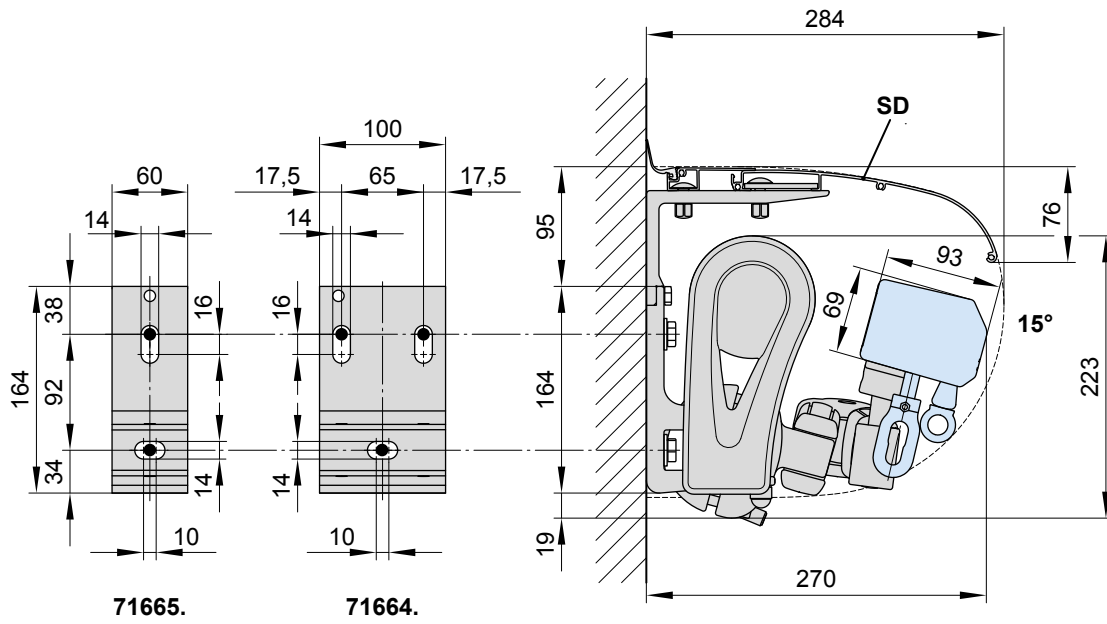
- 01
- 02
- 03
- 04
- 05
- 06
- 07
- 08
- 09
- 10
- 11
- 12
- 13
- 14**
- 15
- 16
- 17



dimensions in mm

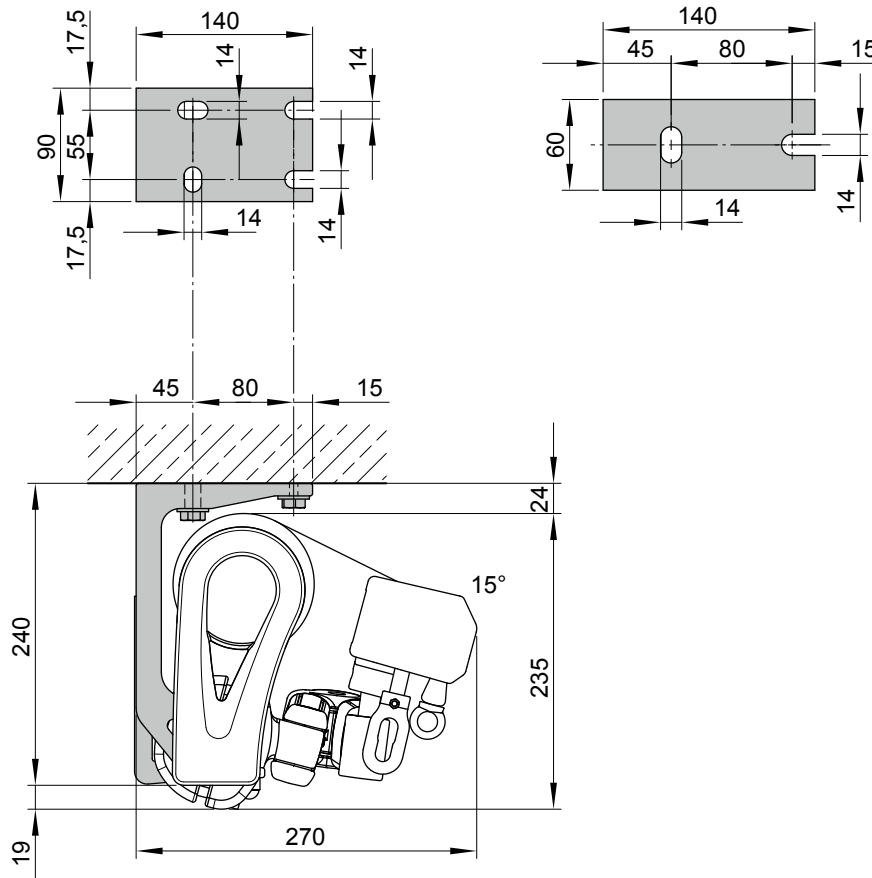
01 **Awning with shadeplus**

02 Face fixture



13 Top fixture

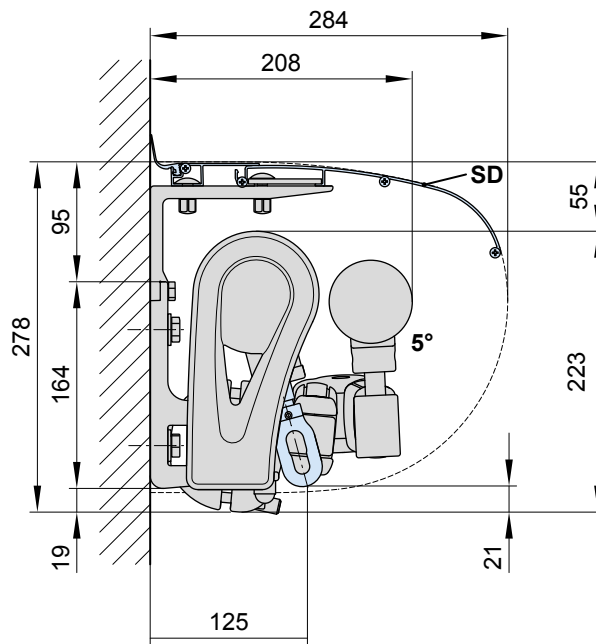
14



SD = aluminium coverboard

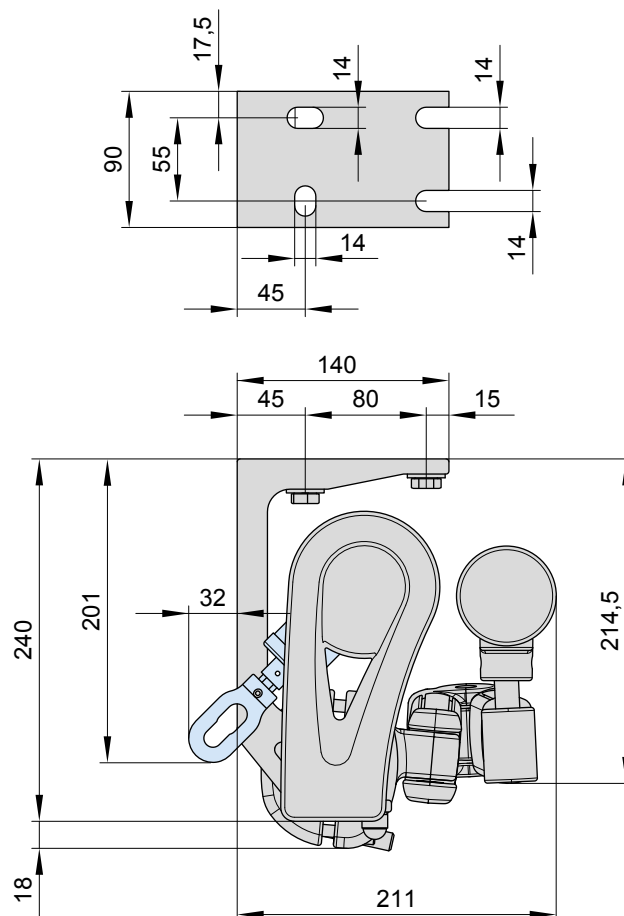
dimensions in mm

## Face fixture, manual operation



## Top fixture, manual operation

Operation from the rear



SD = aluminium coverboard

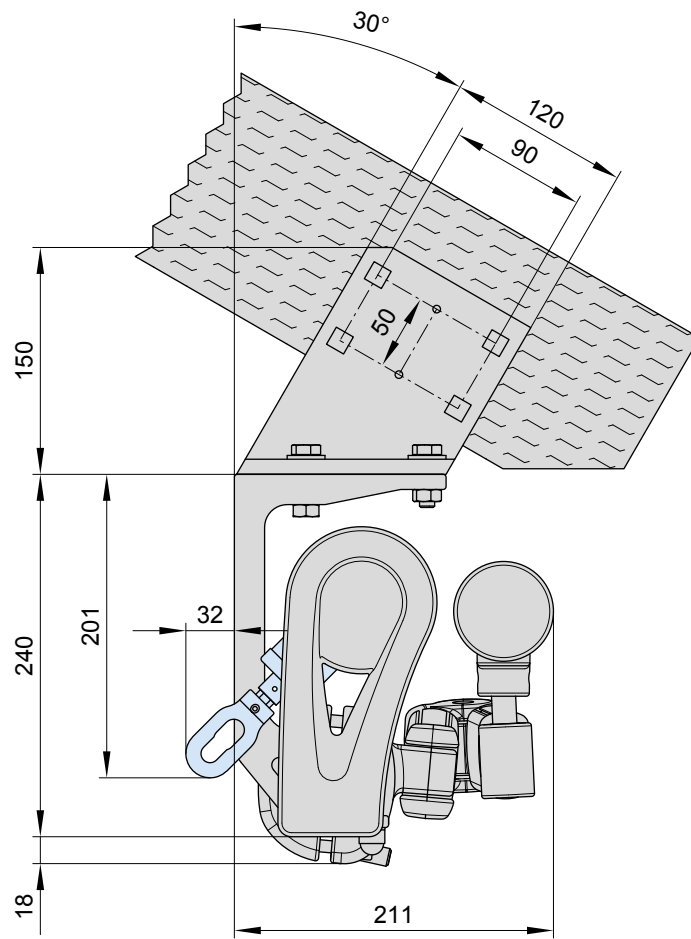
dimensions in mm

01  
02  
03  
04  
05  
06  
07  
08  
09  
10  
11  
12  
13  
**14**  
15  
16  
17

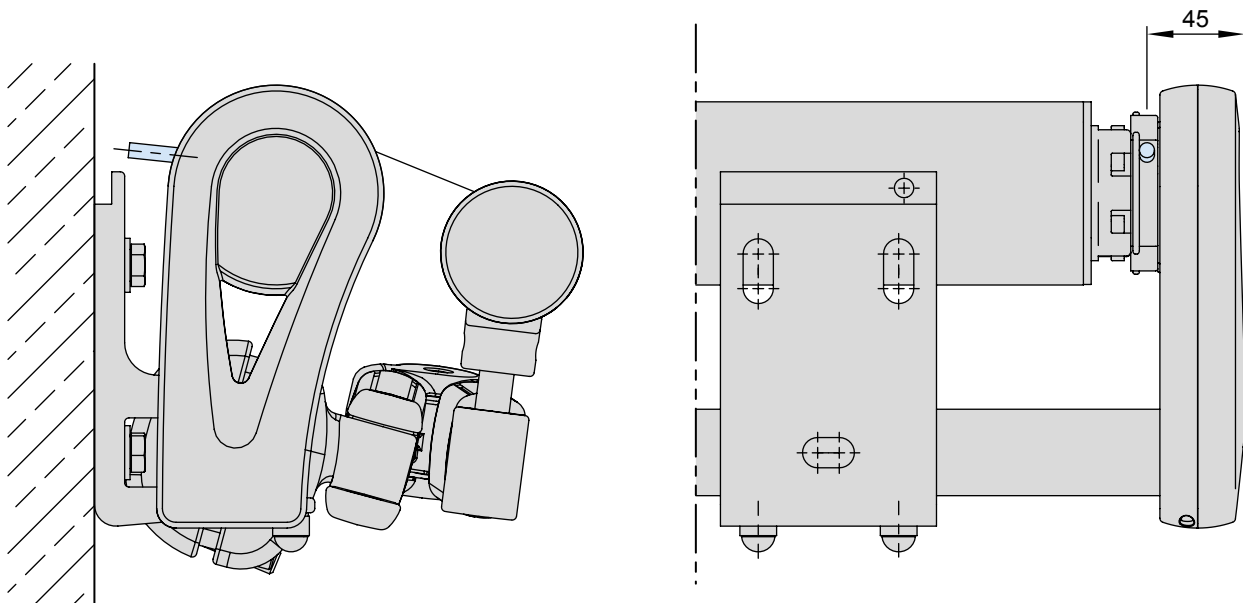
01  
02  
03  
04  
05  
06  
07  
08  
09  
10  
11  
12  
13  
14  
15  
16  
17

### Eaves fixture, manual operation

Operation from the rear



### Motor cable exit point



dimensions in mm