



Vertical cassette blind

markilux 720/820

Compact cassette blind with angled guide rails.

Product characteristics

Wind resistance class 2

Beaufort 5 → 7.5–10.4 m/s → 28–37 km/h → 17–23 mph

01
02
03
04
05
06
07
08
09
10
11
12
13
14
15
16
17
18
19
20

markilux 720
face fixture



side view, face fixture,
standard gearbox operation

side view, motor operation ¹⁾



markilux 820
face fixture



side view, face fixture,
standard gearbox operation

side view, motor operation ¹⁾



reveal fixture



¹⁾ optional configuration

Product characteristics

Description

- vertical blind with angled guide rails and gravity-fed tensioning system – for areas up to 10.5 m².

Special features

- fully encompassing cassette that protects the cover perfectly
- compact cassette profile that lends an attractive appearance to the unit
- option of manual operation from inside the building, drive shaft passes through the wall
- fixture directly through the angled rails – the cassette is positioned right against the wall

Dimensions

- single unit: 74 cm – 300 cm in width, maximum height 350 cm
- maximum width × height: 300 cm × 350 cm
- intermediate sizes are available

Roller tube and lateral bearings

- round roller tube Ø 63 mm with keyway, galvanised steel
- the roller tube bearing is made of stainless steel

Blind profiles

- extruded aluminium, in façade quality, powder coated
- markilux 720: cassette profile in one piece, square, height × depth 95 mm × 95 mm
- markilux 820: cassette profile in two pieces, round tear-shaped, Ø 115 mm
- angled guide rails, width × depth 30 mm × 49 mm
- front profile round, Ø 32 mm

Side caps

markilux 720:

- the cassette end caps are made of high-quality plastic, powder coated
- the front profile end caps are made of high-quality plastic, powder coated
- the bottom profile end caps are made of high-quality plastic, dyed right through, black

markilux 820:

- the cassette end caps are made of high-quality plastic, powder coated
- the front profile end caps are made of high-quality plastic, powder coated
- the bottom profile end caps are made of high-quality plastic, dyed right through, black

Fixture brackets

- self-supporting cassette attached to the top of the angled guide rails
- without brackets, fixture directly through the angled guide rails
- face or reveal fixture

01 **Frame colours**

02 markilux blind colours without surcharge

03 traffic white RAL 9016

04 metallic aluminium RAL 9006

05 grey brown, similar to RAL 8019

09 off-white textured finish, 5233 ¹⁾10 stone grey metallic, 5215 ¹⁾11 anthracite metallic, 5204 ¹⁾16 Havana brown textured finish, 5229 ¹⁾**Non-standard powder-coated finish**

Bespoke frame colours at a surcharge – matt, metallic and pearl finishes as well as other colour ranges (DB, Tiger etc.) on request. All frame colours are available at a surcharge with enhanced corrosion protection.

1) textured finish

Colours may differ slightly from those depicted in both hue and finish.

Dimensions and configuration options

Single unit

		Overall blind width					Blind minimum width	
		100	150	200	250	300	Hard-wired motor	Radio-controlled motor
Order dimensions		50	101	151	201	251	75	74
		100	150	200	250	300		
AH	120						75	74
	160							
	200							
	250							
	300							
	350							

AH = unit height

dimensions in cm

Operation	standard	optional	Coupled Blind
crank handle	✓	—	not available
crank handle, operation from the rear	—	✓	
crank handle, interior operation	—	✓	
hard-wired motor	—	✓	Optional accessories
radio-controlled motor io, 868 MHz	—	✓	automatic controls (light, wind, rain)
radio-controlled motor RTS, 433 MHz	—	✓	N.B! Important background information can be found in the chapter "Optional Accessories".

Blind cover	fabric range no.	standard	optional	model	overall blind width	unit height	cover manuf.	
sunvas	301.. / 309..-315..	✓	—	720	≤ 300	LN		
				820				
sunsilk	324.. / 325.. / 328.. / 369..	✓	—	720	≤ 300	LN		
				820		LN		
perfotex	331.. / 332..	✓	—	720	≤ 250	LN		
				820		LN		
sunvas (250 cm)	31008, -09, -13, -16, -18, -25, 27, -28, -31, -36, -37, -57, -58, 31109, -14, -17	✓	—	720 / 820	≤ 250	N		
transolair	338..	—	✓	720 / 820	≥ 251 ≤ 400	≤ 240	N	
				720 / 820	≥ 251 ≤ 400	≥ 241	QN	
transolair (120 cm)	339..	—	✓	720	≤ 300	LN		
				820		LN		
sunvas (320 cm)	31008, -09	✓	—	720 / 820	≤ 320	N		
				720 / 820	≥ 321 ≤ 400	≤ 310	N	
vuscreen Alu	317..	—	✓	720	≥ 321 ≤ 400	≥ 311	QN	
				820		≤ 250	N	
				820		≥ 251 ≤ 400	≤ 240	N
				820		≥ 251 ≤ 400	≥ 241	QN
Soltis Perform 2	92-20..	—	✓	720 / 820	≤ 185	N		
				720 / 820	≥ 186	≥ 173	QN	
perla	370..	—	—	—				
perla FR	374.. / 375..	—	—	—				

LN = vertical seams, panel width usually 120 cm

QN = horizontal seam

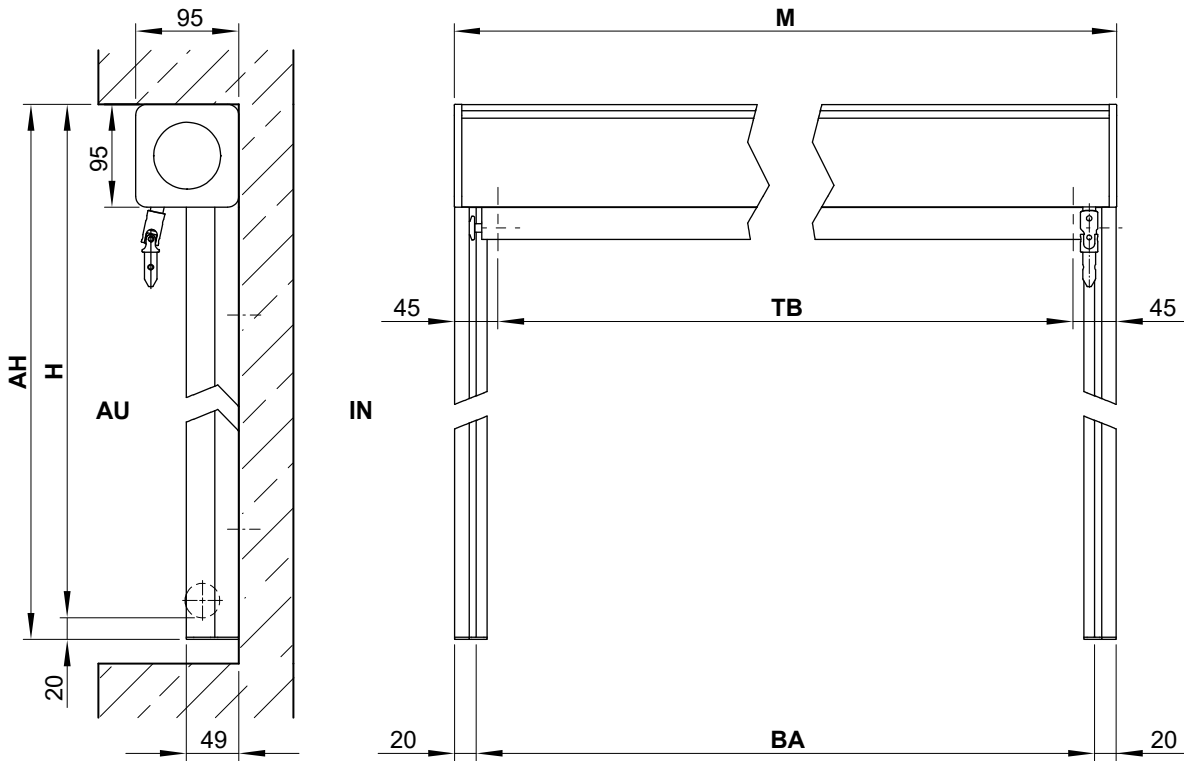
N = seamless

dimensions in cm

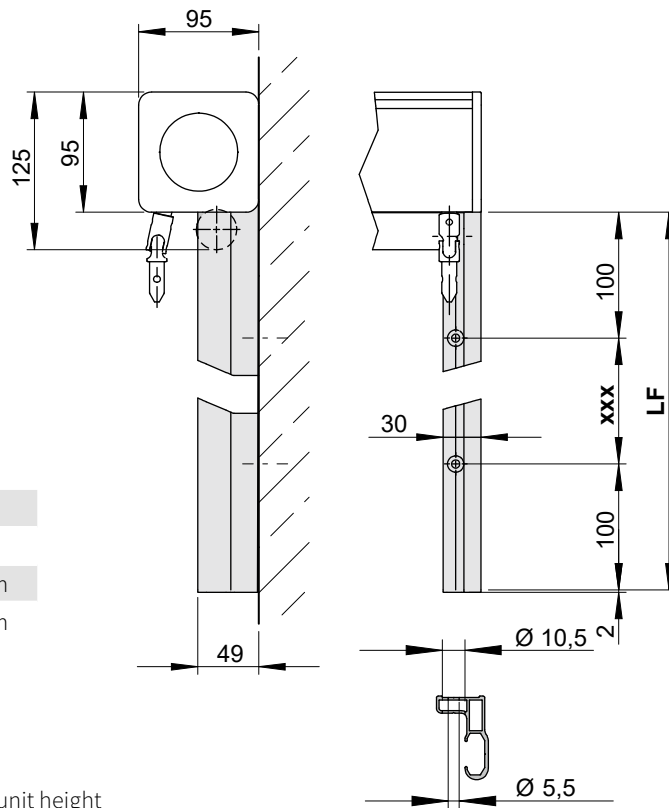
01
02
03
04
05
06
07
08
09
10
11
12
13
14
15
16
17
18
19
20

markilux 720

Dimension overview



Face fixture



ABO xxx	LF
2	1-1500 mm
3	1501-3000 mm
5	3001-3500 mm

AH = order dimension = unit height

AU = exterior

ABO = number of drill holes in the range xxx

BA = width between fixture points

H = unit height

IN = interior

LF = length of the guide rail

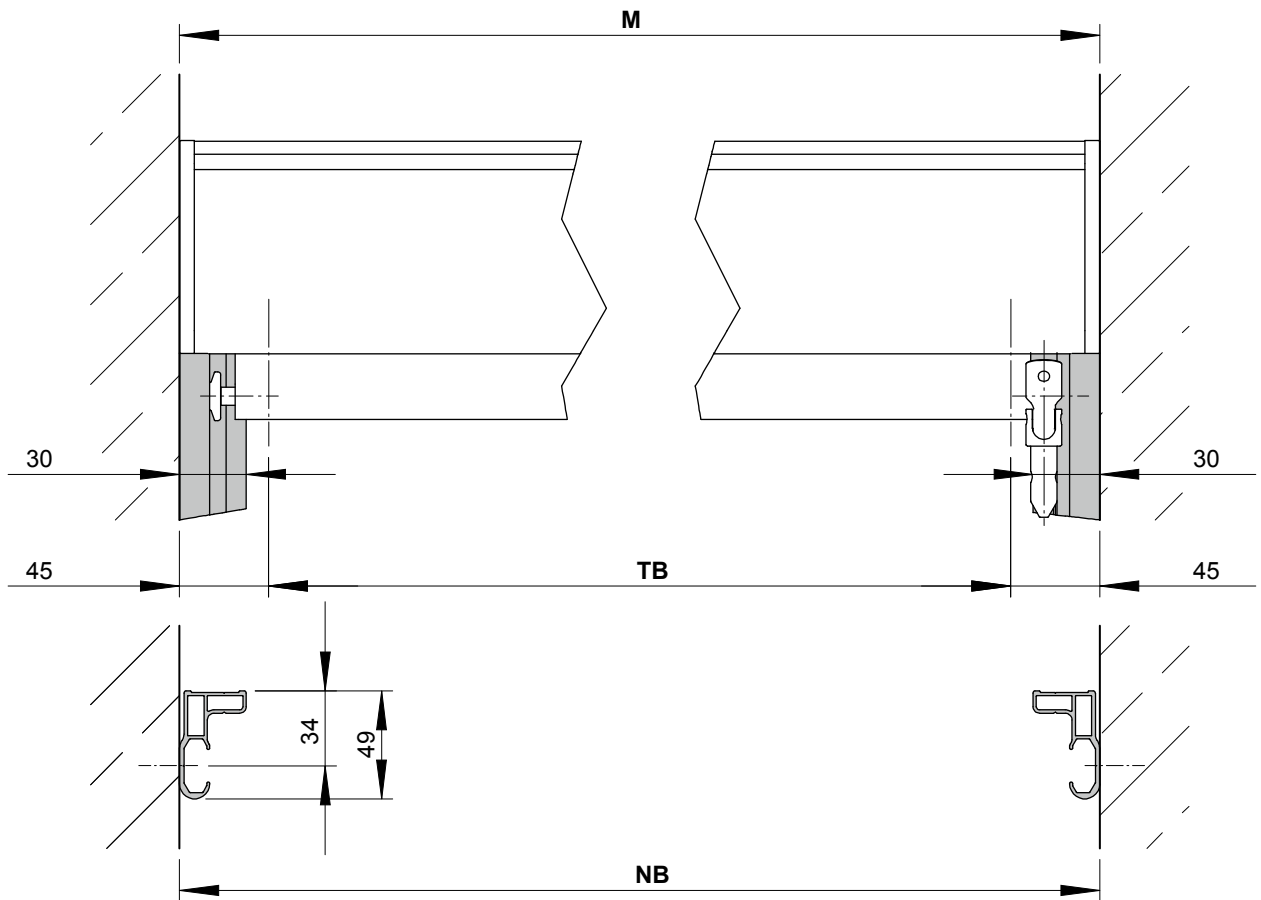
M = order dimension = overall blind width

TB = cover width

dimensions in mm

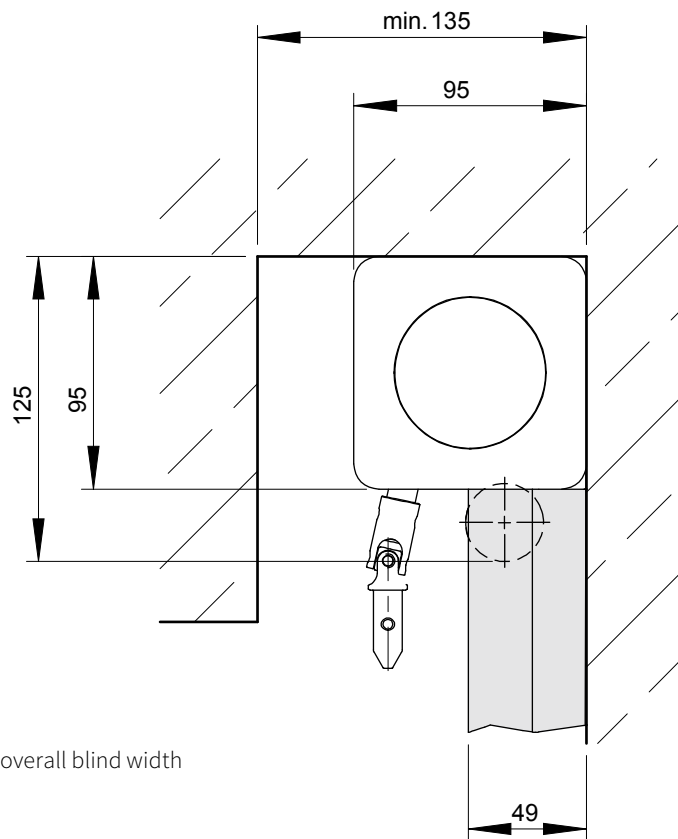
markilux 720

Reveal fixture, gearbox / motor operation



01
02
03
04
05
06
07
08
09
10
11
12
13
14
15
16
17
18
19
20

Reveal fixture in a top window well, gearbox operation



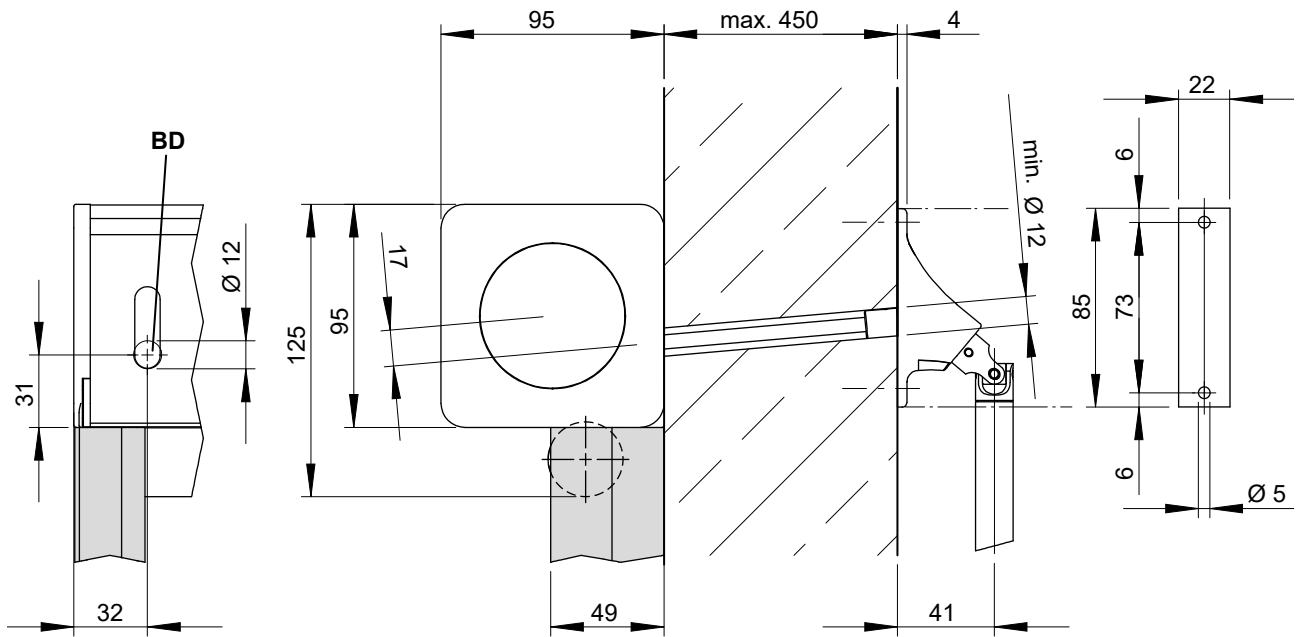
- M** = *order dimension* = overall blind width
- NB** = reveal width
- TB** = cover width

dimensions in mm

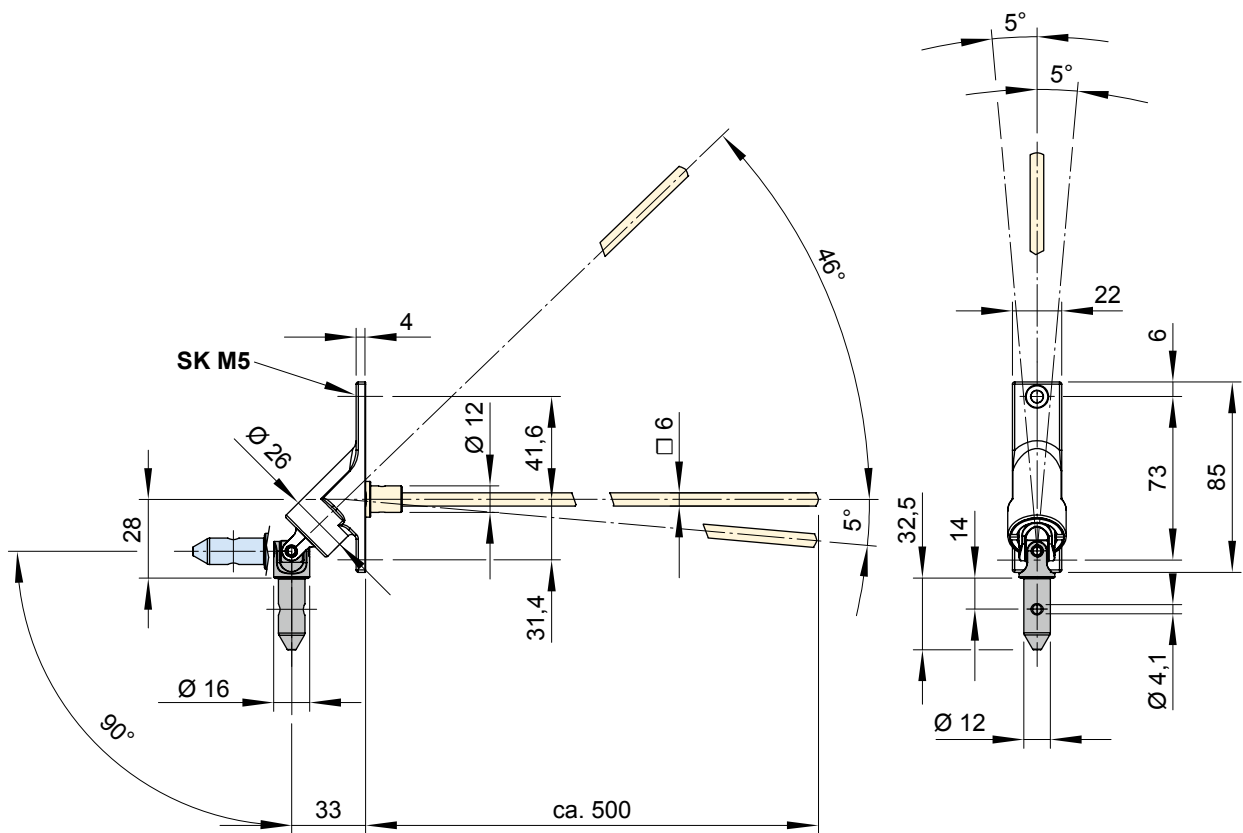
01
02
03
04
05
06
07
08
09
10
11
12
13
14
15
16
17
18
19
20

markilux 720

Face fixture, interior operation



Handle for interior operation

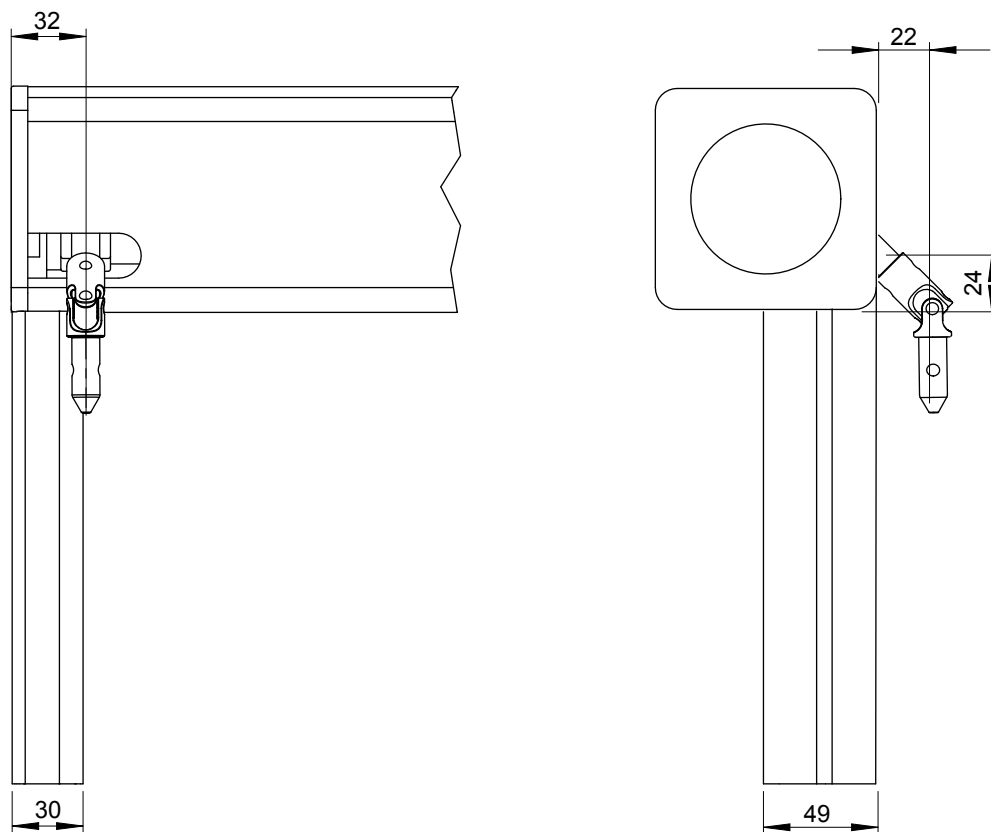


- BD** = horizontal drill hole
- SK** = chase out depth

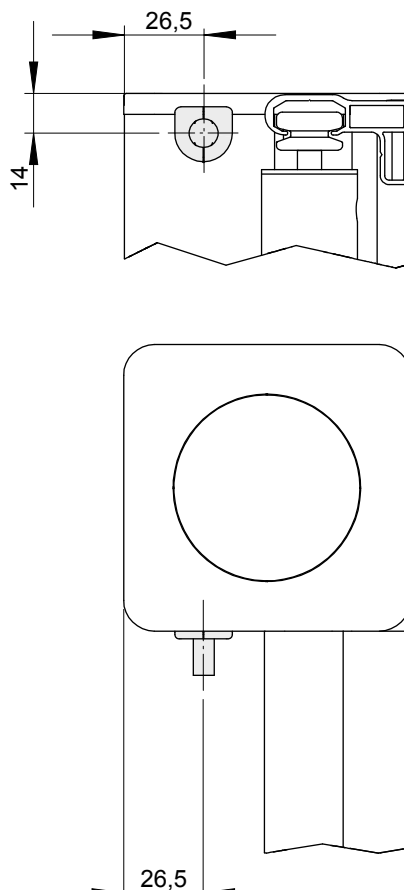
dimensions in mm

markilux 720

Manual operation from the rear



Motor cable exit point

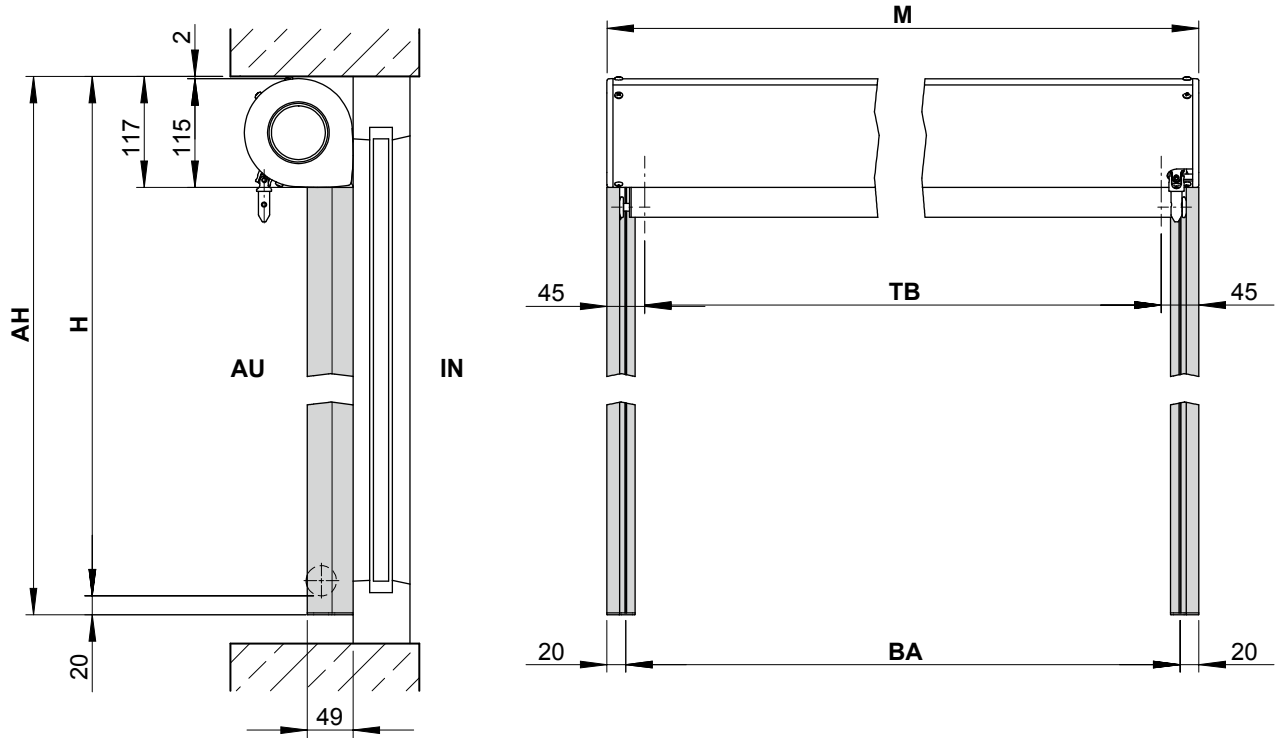


dimensions in mm

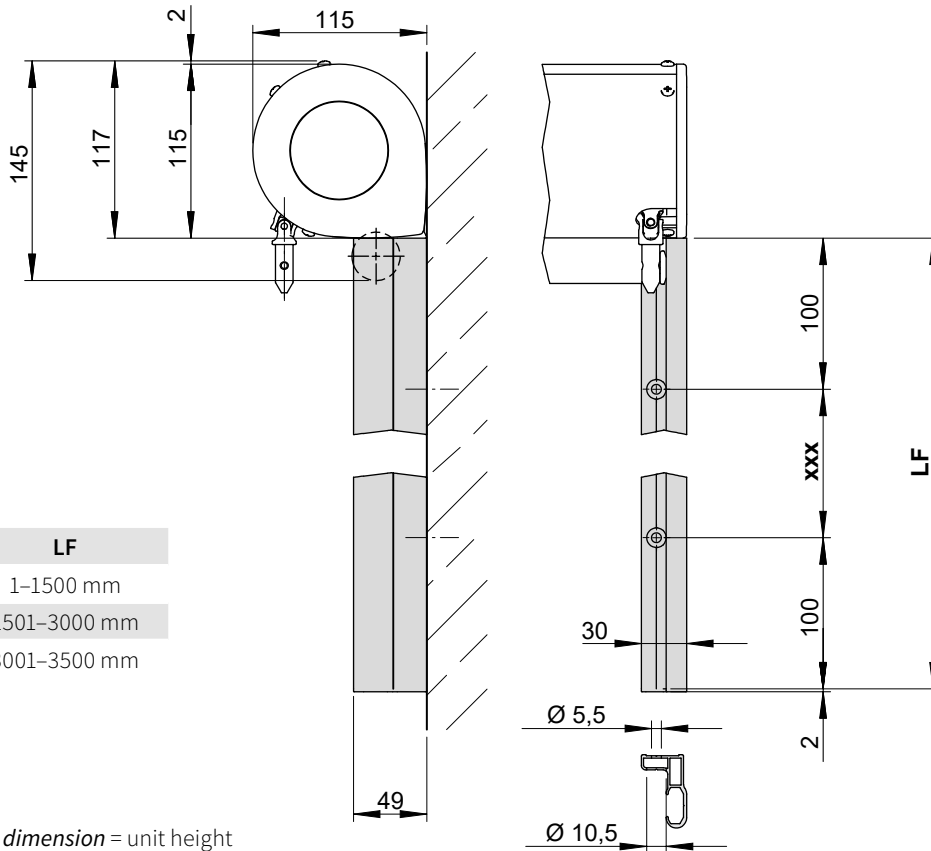
- 01
- 02
- 03
- 04
- 05
- 06
- 07
- 08**
- 09
- 10
- 11
- 12
- 13
- 14
- 15
- 16
- 17
- 18
- 19
- 20

markilux 820

Dimension overview



Face fixture



ABO xxx	LF
2	1-1500 mm
3	1501-3000 mm
5	3001-3500 mm

AH = order dimension = unit height

AU = exterior

ABO = number of drill holes in the range xxx

BA = width between fixture points

H = unit height

IN = interior

LF = length of the guide rail

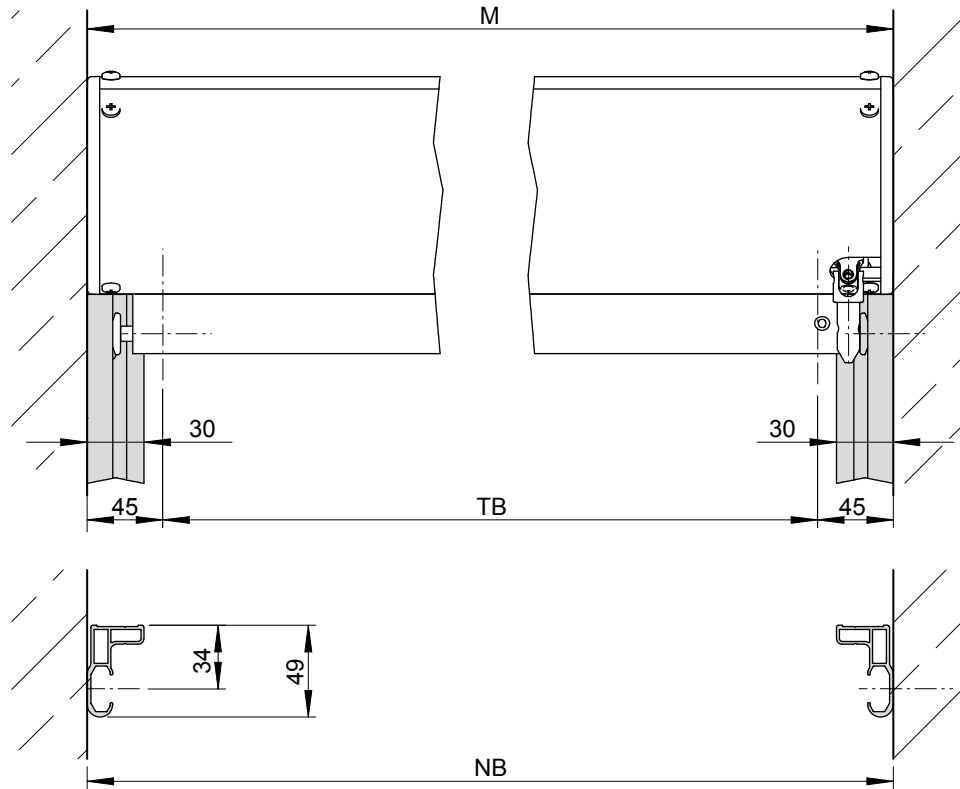
M = order dimension = overall blind width

TB = cover width

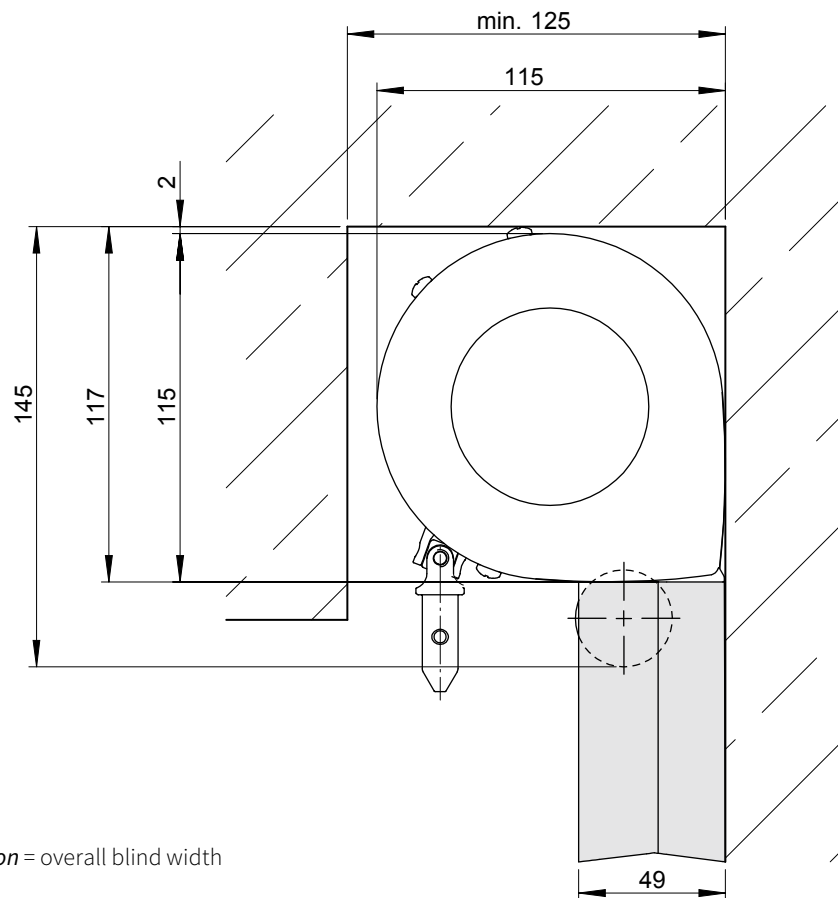
dimensions in mm

markilux 820

Reveal fixture, gearbox / motor operation



Reveal fixture in a window well, gearbox operation



- M** = *order dimension* = overall blind width
- NB** = reveal width
- TB** = cover width

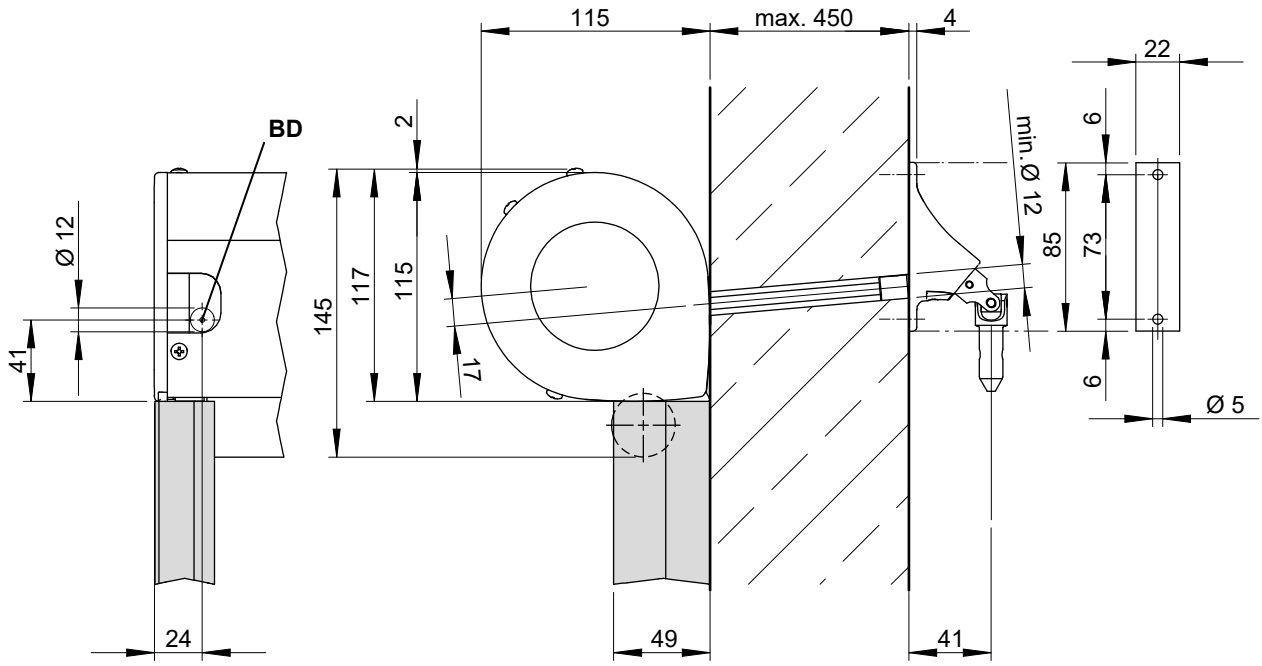
dimensions in mm

01
02
03
04
05
06
07
08
09
10
11
12
13
14
15
16
17
18
19
20

01
02
03
04
05
06
07
08
09
10
11
12

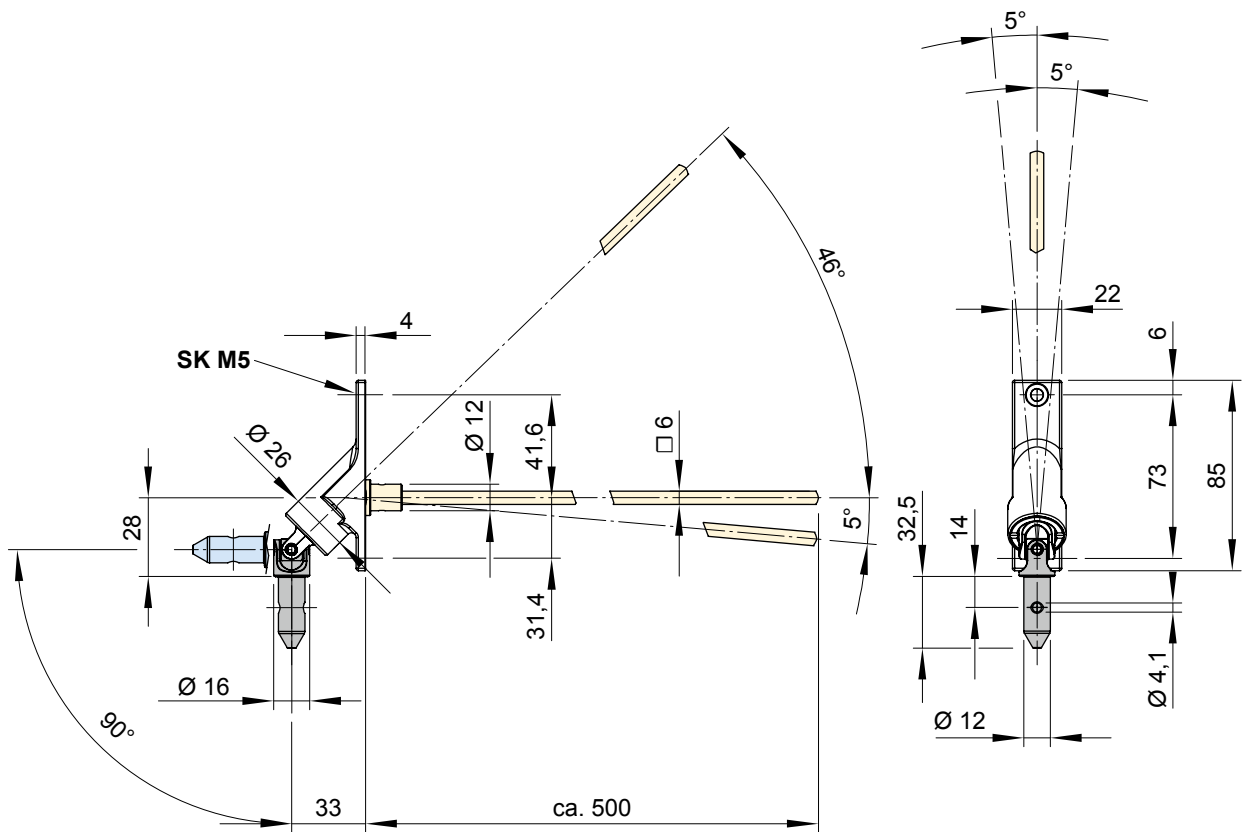
markilux 820

Face fixture, interior operation



13
14
15
16
17
18
19
20

Handle for interior operation

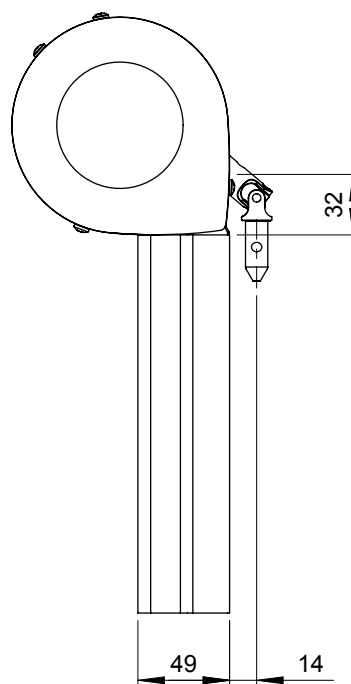
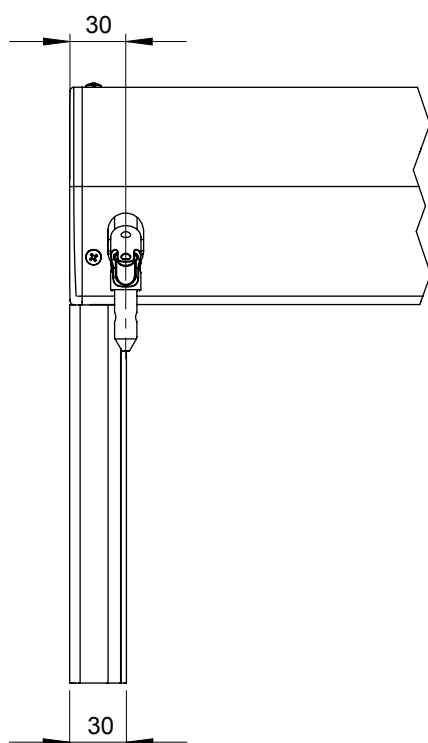


- BD = horizontal drill hole
- SK = chase out depth

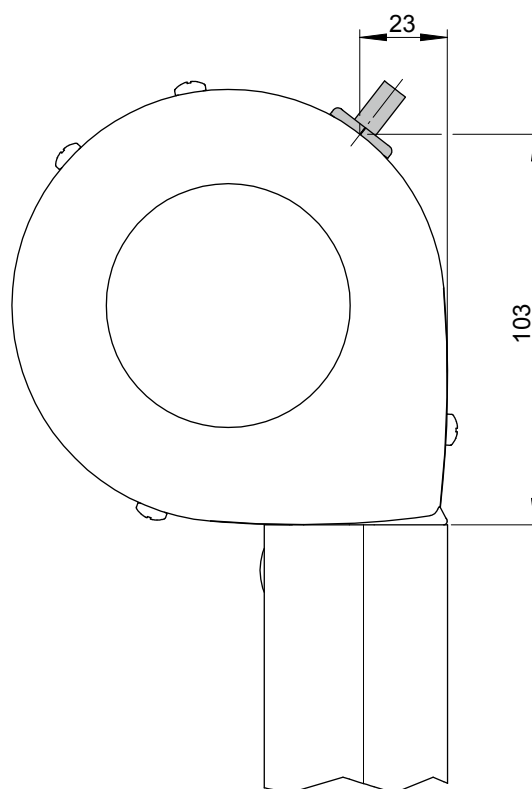
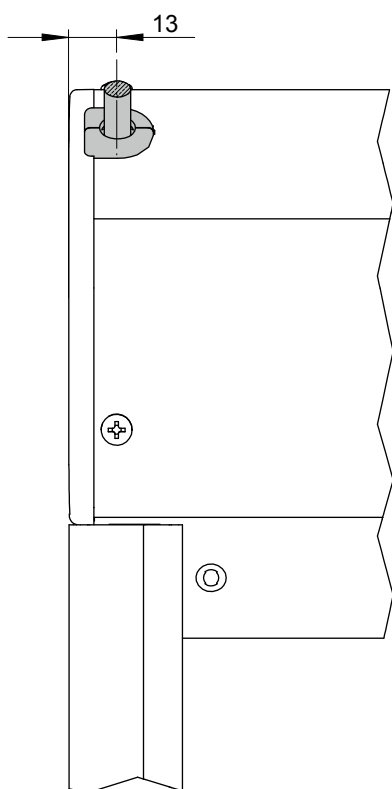
dimensions in mm

markilux 820

Manual operation from the rear



Motor cable exit point



dimensions in mm

- 01
- 02
- 03
- 04
- 05
- 06
- 07
- 08**
- 09
- 10
- 11
- 12
- 13
- 14
- 15
- 16
- 17
- 18
- 19
- 20

01

02

03

04

05

06

07

08

09

10

11

12

13

14

15

16

17

18

19

20